

QUICK REFERENCE DATA

*S4BE SERIES RESIDENTIAL SPLIT SYSTEM AIR CONDITIONER

14 SEER

MODEL NUMBER: *S4BE		018KA	024KA	030KA	036KA	042KA	048KA	060KA	
ELECTRICAL DATA	Volts-Cycles-Phase (1)		208/230-60-1						
	Total Amps		9.9	14.4	15.0	15.1	19.4	21.3	29.0
	Delay Fuse Max. (2)		20	30	30	30	40	45	60
	Min. Circuit Ampacity		12.1	17.7	18.5	18.6	23.9	26.3	35.6
CONDENSER DATA	Coil	Area	10.0	11.7	15.2	20.3	22.8	22.8	25.4
		Rows-FPI	1-23	1-23	1-18	1-18	1-18	1-18	1-23
		Tube Dia	MC						
	Fan Motor	Type	PSC						BLDC
		Amps	0.9	0.9	0.9	1.0	1.5	1.5	2.6
		HP	0.13	0.13	0.13	0.20	0.25	0.25	0.33
	Compressor Data	RLA	9.0	13.4	14.1	14.1	17.9	19.8	26.4
LRA		48.0	58.3	73.0	77.0	112.0	109.0	134.0	
RECOMMENDED REFRIGERANT SUCTION LINE O.D.* NOTE: Liquid line is 3/8" O.D. for entire length.		0-24 ft.	3/4"	3/4"	3/4"	3/4"	7/8"	7/8"	7/8"
		25-39 ft.	3/4"	3/4"	3/4"	7/8" (3)	7/8"	7/8"	1-1/8" (4)
		40-75 ft.	3/4"	3/4"	3/4"	7/8" (3)	7/8"	7/8"	1-1/8" (4)
REFRIGERANT CHARGE: R-410A in ounces for outdoor unit, indoor unit and 15' line set. (5)		34.0	39.0	46.0	57.0	66.0	96.0	81.0	
APPROXIMATE WEIGHT (LBS.)		Net	107	127	132	146	175	177	221
		Ship	113	134	140	155	184	186	230

- (1) Operating Voltage Range: 187v min. — 253v max.
 - (2) HACR Type Circuit Breakers may be used.
 - (3) Requires 7/8" to 3/4" reducer from line to unit.
 - (4) Requires 7/8" to 1-1/8" reducer from line to unit.
 - (5) Additional charge for line sets above 15 feet. Values based on suction line as follows with 3/8" liquid line.
 - (a) 3/4" = 0.6 oz. per additional foot.
 - (b) 7/8" = 0.7 oz. per additional foot.
 - (c) 1 1/8" = 0.8 oz. per additional foot.
- * For other line set dimensions, refer to the Application Guidelines for Refrigerant Lines Addendum.

WIRE GAUGE	RECOMMENDED MAXIMUM WIRE LENGTH (FT) FROM UNIT TO THERMOSTAT
22	45
20	70
18	115
16	180

Table 1. Electrical Specifications & Physical Data

Table 2. Control Wiring (24V)

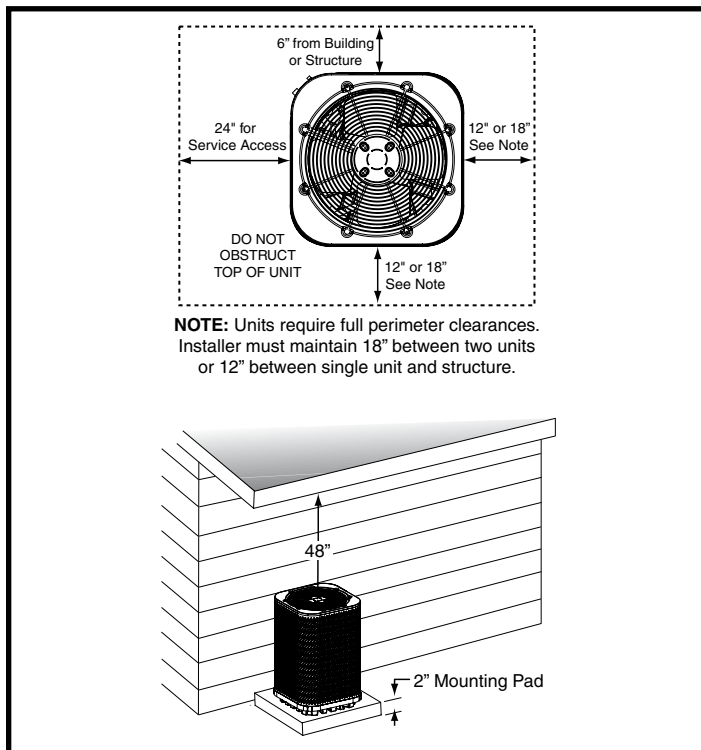


Figure 1. Clearance Requirements

Model JS4BE Shown

MODEL NUMBER	HEIGHT (H)	WIDTH (W)	DEPTH (D)
*S4BE-018KA	27 1/2"	22 3/4"	22 3/4"
*S4BE-024KA	31 1/2"	22 3/4"	22 3/4"
*S4BE-030KA	27 1/2"	30 3/4"	30 3/4"
*S4BE-036KA	35 1/2"	30 3/4"	30 3/4"
*S4BE-042KA	39 1/2"	30 3/4"	30 3/4"
*S4BE-048KA	39 1/2"	30 3/4"	30 3/4"
*S4BE-060KA	43"	30 3/4"	30 3/4"

Table 3. Unit Dimensions

Instructions:

1. Find the column for the model of outdoor unit that is being installed.
2. Find the row for the model of the indoor unit that is being installed.
3. Find the cell in the table in which this row and column meet. In this cell the appropriate orifice / TXV and charge addition for this match are listed. If the text in this cell is **BOLD**, then a change of orifice is necessary.
4. If a change in restrictor is necessary, then the appropriate restrictor will already be supplied with the outdoor unit.

Examples:

- For the *S4BE-018KA / B6EMMX24K-A match, the appropriate TXV is the 669564 and no additional charge needs to be added. (NO CHANGES ARE NECESSARY)
- For the *S4BE-042KA / C7B(A,H)M03642(C,U)-B + TXV match, the 920671A TXV Kit is needed as well as an additional 2 ounces of charge. (TXV KIT AND CHARGE ADJUSTMENT NEEDED)

MODEL NUMBER: *S4BE		018KA	024KA	030KA	036KA	042KA	048KA	060KA
ID RESTRICTOR SUPPLIED WITH OD UNIT:		0.051	0.057, 0.058	0.062	0.068, 0.069	--	0.077	--
OUTDOOR UNIT BOM CHARGE (OZ.)		34	39	46	57	66	96	81
MODELS	SUPPLIED WITH ID	REQUIRED RESTRICTOR OR TXV (CHARGE ADDITION (OZ) / RATED AIRFLOW -SCFM)						
B6BM-X								
B6BM-X24K-A	669564	669564 (18 / 600)	669564 (23 / 705)	--	--	--	--	--
B6BM-X24K-B	669564	669564 (18 / 600)	669564 (23 / 705)	--	--	--	--	--
B6BM-X30K-A	669565	--	--	669565 (23 / 875)	--	--	--	--
B6BM-X30K-B	669565	--	--	669565 (23 / 875)	--	--	--	--
B6BM-X36K-B	669566	--	--	--	669566 (32 / 905)	--	--	--
B6BM-X42K-B	669567	--	--	--	--	669567 (19 / 1225)	--	--
B6BM-X48K-C	669568	--	--	--	--	--	669568 (22 / 1450)	--
B6BM-X60K-C	669578	--	--	--	--	--	--	669578 (29 / 1660)
B6BMM0								
B6BMM024K-A	0.055	0.051 (18 / 660)	0.058 (14 / 800)	--	--	--	--	--
B6BMM024K-B	0.055	0.051 (18 / 660)	0.058 (14 / 800)	--	--	--	--	--
B6BMM030K-A	0.062	--	--	0.062 (5 / 895)	--	--	--	--
B6BMM030K-B	0.062	--	--	0.062 (5 / 895)	--	--	--	--
B6BMM042K-B	0.074	--	--	--	0.069 (11 / 1225)	0.074 (13 / 1260)	--	--
B6BMM060K-C	0.087	--	--	--	--	--	0.077 (-15 / 1440 ‡)	0.087 (8 / 1635)
B6BMMX								
B6BMMX24K-A	669564	669564 (0 / 600)	669564 (0 / 715)	--	--	--	--	--
B6BMMX24K-B	669564	--	669564 (2 / 715)	--	--	--	--	--
B6BMMX30K-A	669565	--	--	669565 (2 / 945)	--	--	--	--
B6BMMX30K-B	669565	--	--	669565 (2 / 1015)	--	--	--	--
B6BMMX36K-B	669566	--	--	--	669566 (13 / 1190)	--	--	--
B6BMMX48K-C	669568	--	--	--	--	669568 (22 / 1375)	669568 (0 / 1670)	--
B6BMMX60K-C	669578	--	--	--	--	--	--	669578 (3 / 1545)

NOTES:

- The charges listed are only valid for the standard 15' lineset.
- Part numbers beginning with 669***are TXV part numbers and numbers listed as 0. *** are restrictor diameters.

‡ Requires a **REDUCTION** in charge.

**Table 4. REQUIRED RESTRICTOR OR TXV
(CHARGE ADDITION (OZ) / RATED AIRFLOW -SCFM)**

Instructions:

1. Find the column for the model of outdoor unit that is being installed.
2. Find the row for the model of the indoor unit that is being installed.
3. Find the cell in the table in which this row and column meet. In this cell the appropriate orifice / TXV and charge addition for this match are listed. If the text in this cell is **BOLD**, then a change of orifice is necessary.
4. If a change in restrictor is necessary, then the appropriate restrictor will already be supplied with the outdoor unit.

Examples:

- For the *S4BE-018KA / B6EMMX24K-A match, the appropriate TXV is the 669564 and no additional charge needs to be added. (NO CHANGES ARE NECESSARY)
- For the *S4BE-042KA / C7B(A,H)M03642(C,U)-B + TXV match, the 920671A TXV Kit is needed as well as an additional 2 ounces of charge. (TXV KIT AND CHARGE ADJUSTMENT NEEDED)

MODEL NUMBER: *S4BE		018KA	024KA	030KA	036KA	042KA	048KA	060KA
ID RESTRICTOR SUPPLIED WITH OD UNIT:		0.051	0.057, 0.058	0.062	0.068, 0.069	--	0.077	--
OUTDOOR UNIT BOM CHARGE (OZ.)		34	39	46	57	66	96	81
MODELS	SUPPLIED WITH ID	REQUIRED RESTRICTOR OR TXV (CHARGE ADDITION (OZ) / RATED AIRFLOW -SCFM)						
B6BW								
B6BW-030K(*)	0.060	--	0.057 (18 / 850)	0.060 (17 / 880)	--	--	--	--
B6BW-036K(*)	0.069	--	--	--	0.068 (16 / 1185)	--	--	--
B6EM								
B6EMMX24K-A	669564	669564 (0 / 540)	669564 (2 / 770)	--	--	--	--	--
B6EMMX24K-B	669564	669564 (0 / 540)	669564 (2 / 770)	--	--	--	--	--
B6EMMX30K-A	669565	--	--	669565 (2 / 1000)	--	--	--	--
B6EMMX30K-B	669565	--	--	669565 (2 / 1000)	--	--	--	--
B6EMMX36K-B	669566	--	--	--	669566 (9 / 1100)	--	--	--
B6EMMX42K-B	669567	--	--	--	--	669567 (0 / 1255)	--	--
B6EMMX48K-C	669852	--	--	--	--	--	669852 (0 / 1450)	--
B6EMMX60K-C	669578	--	--	--	--	--	--	669578 (3 / 1535)
B6EW								
B6EW-X18K	669564	669564 (2 / 550)	--	--	--	--	--	--
B6EW-X25K	669564	--	669564 (0 / 820)	--	--	--	--	--
B6EW-X30K	669565	--	--	669565 (0 / 975)	--	--	--	--
B6EW-X36K	669566	--	--	--	669566 (0 / 1070)	--	--	--
B6VM								
B6VMAX24K-A	669564	669564 (18 / 555)	669564 (22 / 750)	--	--	--	--	--
B6VMAX24K-B	669564	669564 (29 / 555)	669564 (33 / 750)	--	--	--	--	--
B6VMAX30K-A	669565	--	--	669565 (23 / 980)	--	--	--	--
B6VMAX30K-B	669565	--	669565 (23 / 750)	669565 (23 / 980)	--	--	--	--
B6VMAX36K-B	669566	--	--	--	669566 (32 / 1100)	--	--	--
B6VMAX42K-B	669567	--	--	--	--	669567 (19 / 1250)	--	--
B6VMAX48K-C	669568	--	--	--	--	669568 (24 / 1400)	669568 (22 / 1435)	--
B6VMAX60K-C	669578	--	--	--	--	--	--	669578 (29 / 1600)

NOTES:

- The charges listed are only valid for the standard 15' lineset.
- Part numbers beginning with 669*** are TXV part numbers and numbers listed as 0.*** are restrictor diameters.

**Table 4. REQUIRED RESTRICTOR OR TXV
(CHARGE ADDITION (OZ) / RATED AIRFLOW -SCFM) - Continued**

Instructions:

1. Find the column for the model of outdoor unit that is being installed.
2. Find the row for the model of the indoor unit that is being installed.
3. Find the cell in the table in which this row and column meet. In this cell the appropriate orifice / TXV and charge addition for this match are listed. If the text in this cell is BOLD, then a change of orifice is necessary.
4. If a change in restrictor is necessary, then the appropriate restrictor will already be supplied with the outdoor unit.

Examples:

- For the *S4BE-018KA / B6EMMX24K-A match, the appropriate TXV is the 669564 and no additional charge needs to be added. (NO CHANGES ARE NECESSARY)
- For the *S4BE-042KA / C7B(A,H)M03642(C,U)-B + TXV match, the 920671A TXV Kit is needed as well as an additional 2 ounces of charge. (TXV KIT AND CHARGE ADJUSTMENT NEEDED)

MODEL NUMBER: *S4BE		018KA	024KA	030KA	036KA	042KA	048KA	060KA
ID RESTRICTOR SUPPLIED WITH OD UNIT:		0.051	0.057, 0.058	0.062	0.068, 0.069	--	0.077	--
OUTDOOR UNIT BOM CHARGE (OZ.)		34	39	46	57	66	96	81
MODELS	SUPPLIED WITH ID	REQUIRED RESTRICTOR OR TXV (CHARGE ADDITION (OZ) / RATED AIRFLOW -SCFM)						
B6VMMX								
B6VMMX24K-A	669564	669564 (0 / 540)	669564 (2 / 770)	--	--	--	--	--
B6VMMX24K-B	669564	669564 (0 / 540)	669564 (2 / 770)	--	--	--	--	--
B6VMMX30K-A	669565	--	--	669565 (2 / 1000)	--	--	--	--
B6VMMX30K-B	669565	--	--	669565 (2 / 1000)	--	--	--	--
B6VMMX36K-B	669566	--	--	--	669566 (9 / 1100)	--	--	--
B6VMMX42K-B	669567	--	--	--	--	669567 (0 / 1255)	--	--
B6VMMX48K-C	669568	--	--	--	--	--	669852 (0 / 1450)	--
B6VMMX60K-C	669578	--	--	--	--	--	--	669578 (3 / 1535)
C6								
C6B(A,H)-X24(C,U)-A	669564	669564 (18 / 550)	669564 (26 / 770)	--	--	--	--	--
C6B(A,H)-X24(C,U)-B	669681	669681 (18 / 550)	669681 (26 / 770)	--	--	--	--	--
C6B(A,H)-X30(C,U)-A	669565	--	--	669565 (23 / 950)	--	--	--	--
C6B(A,H)-X30(C,U)-B	669682	--	--	669682 (23 / 950)	--	--	--	--
C6B(A,H)-X30(C,U)-C	669682	--	--	669682 (23 / 950)	--	--	--	--
C6B(A,H)-X36(C,U)-B	669683	--	--	--	669683 (32 / 1105)	--	--	--
C6B(A,H)-X36(C,U)-C	669683	--	--	--	669683 (32 / 1105)	--	--	--
C6B(A,H)-X42(C,U)-B	669684	--	--	--	--	669684 (26 / 1210)	--	--
C6B(A,H)-X42(C,U)-C	669684	--	--	--	--	669684 (26 / 1210)	--	--
C6B(A,H)-X48(C,U)-C	669852	--	--	--	--	--	669852 (22 / 1435)	--
C6B(A,H)-X48(C,U)-D	669852	--	--	--	--	--	669852 (22 / 1435)	--
C6B(A,H)-X60(C,U)-C	669686	--	--	--	--	--	--	669686 (22 / 1660)
C6B(A,H)-X60(C,U)-D	669686	--	--	--	--	--	--	669686 (22 / 1660)

NOTES:

- The charges listed are only valid for the standard 15' lineset.
- Part numbers beginning with 669***are TXV part numbers and numbers listed as 0.*** are restrictor diameters.

**Table 4. REQUIRED RESTRICTOR OR TXV
(CHARGE ADDITION (OZ) / RATED AIRFLOW -SCFM) - Continued**

Instructions:

1. Find the column for the model of outdoor unit that is being installed.
2. Find the row for the model of the indoor unit that is being installed.
3. Find the cell in the table in which this row and column meet. In this cell the appropriate orifice / TXV and charge addition for this match are listed. If the text in this cell is BOLD, then a change of orifice is necessary.
4. If a change in restrictor is necessary, then the appropriate restrictor will already be supplied with the outdoor unit.

Examples:

- For the *S4BE-018KA / B6EMMX24K-A match, the appropriate TXV is the 669564 and no additional charge needs to be added. (NO CHANGES ARE NECESSARY)
- For the *S4BE-042KA / C7B(A,H)M03642(C,U)-B + TXV match, the 920671A TXV Kit is needed as well as an additional 2 ounces of charge. (TXV KIT AND CHARGE ADJUSTMENT NEEDED)

MODEL NUMBER: *S4BE		018KA	024KA	030KA	036KA	042KA	048KA	060KA
ID RESTRICTOR SUPPLIED WITH OD UNIT:		0.051	0.057, 0.058	0.062	0.068, 0.069	--	0.077	--
OUTDOOR UNIT BOM CHARGE (OZ.)		34	39	46	57	66	96	81
MODELS	SUPPLIED WITH ID	REQUIRED RESTRICTOR OR TXV (CHARGE ADDITION (OZ) / RATED AIRFLOW -SCFM)						
C7-0								
C7B(A,H)M01824(C,U)-A	0.048	0.051 (11 / 675)	0.058 (6 / 815)	--	--	--	--	--
C7B(A,H)M01824(C,U)-B	0.055	0.051 (11 / 675)	0.058 (6 / 815)	--	--	--	--	--
C7B(A,H)M030(C,U)-C	0.061	--	--	0.062 (9 / 880)	--	--	--	--
C7B(A,H)M03036(C,U)-A	0.061	--	--	0.062 (9 / 880)	--	--	--	--
C7B(A,H)M03036(C,U)-B	0.067	--	--	0.062 (9 / 880)	--	--	--	--
C7B(A,H)M03642(C,U)-B	0.071	--	--	--	0.069 (7 / 1110)	--	--	--
C7B(A,H)M03648(C,U)-C	0.067	--	--	--	0.069 (7 / 1110)	--	--	--
C7-0 + TXV								
C7B(A,H)M01824(C,U)-A + TXV	0.048	920668A (2 / 675)	920668A (0 / 845)	--	--	--	--	--
C7B(A,H)M01824(C,U)-B + TXV	0.055	920668A (2 / 675)	920668A (0 / 845)	--	--	--	--	--
C7B(A,H)M03036(C,U)-A + TXV	0.061	--	--	920669A (7 / 945)	--	--	--	--
C7B(A,H)M03036(C,U)-B + TXV	0.067	--	--	920669A (7 / 945)	--	--	--	--
C7B(A,H)M030(C,U)-C + TXV	0.061	--	--	920669A (7 / 945)	--	--	--	--
C7B(A,H)M03642(C,U)-B + TXV	0.071	--	--	--	920670A (0 / 1110)	920671A (2 / 1305)	--	--
C7B(A,H)M03648(C,U)-C + TXV	0.067	--	--	--	920670A (0 / 1110)	920671A (2 / 1305)	--	--
C7B(A,H)M048(C,U)-C + TXV	0.077	--	--	--	--	--	920672A (0 / 1525)	--
C7B(A,H)M048(C,U)-D + TXV	0.077	--	--	--	--	--	920672A (0 / 1525)	--
C7B(A,H)M060(C,U)-C + TXV	0.083	--	--	--	--	--	--	920673A (0 / 1540)
C7B(A,H)M060(C,U)-D + TXV	0.083	--	--	--	--	--	--	920673A (0 / 1540)

NOTES:

- The charges listed are only valid for the standard 15' lineset.
- Part numbers beginning with 669***are TXV part numbers and numbers listed as 0.*** are restrictor diameters.

**Table 4. REQUIRED RESTRICTOR OR TXV
(CHARGE ADDITION (OZ) / RATED AIRFLOW -SCFM) - Continued**

Instructions:

1. Find the column for the model of outdoor unit that is being installed.
2. Find the row for the model of the indoor unit that is being installed.
3. Find the cell in the table in which this row and column meet. In this cell the appropriate orifice / TXV and charge addition for this match are listed. If the text in this cell is BOLD, then a change of orifice is necessary.
4. If a change in restrictor is necessary, then the appropriate restrictor will already be supplied with the outdoor unit.

Examples:

- For the *S4BE-018KA / B6EMMX24K-A match, the appropriate TXV is the 669564 and no additional charge needs to be added. (NO CHANGES ARE NECESSARY)
- For the *S4BE-042KA / C7B(A,H)M03642(C,U)-B + TXV match, the 920671A TXV Kit is needed as well as an additional 2 ounces of charge. (TXV KIT AND CHARGE ADJUSTMENT NEEDED)

MODEL NUMBER: *S4BE		018KA	024KA	030KA	036KA	042KA	048KA	060KA
ID RESTRICTOR SUPPLIED WITH OD UNIT:		0.051	0.057, 0.058	0.062	0.068, 0.069	--	0.077	--
OUTDOOR UNIT BOM CHARGE (OZ.)		34	39	46	57	66	96	81
MODELS	SUPPLIED WITH ID	REQUIRED RESTRICTOR OR TXV (CHARGE ADDITION (OZ) / RATED AIRFLOW -SCFM)						
C7-X								
C7B(A,H)MX24(C,U)-A	669681	669681 (2 / 675)	669681 (0 / 845)	--	--	--	--	--
C7B(A,H)MX24(C,U)-B	669681	669681 (2 / 675)	669681 (0 / 845)	--	--	--	--	--
C7B(A,H)MX30(C,U)-A	669682	--	--	669682 (7 / 945)	--	--	--	--
C7B(A,H)MX30(C,U)-B	669682	--	--	669682 (7 / 945)	--	--	--	--
C7B(A,H)MX36(C,U)-B	669683	--	--	--	669683 (0 / 1110)	--	--	--
C7B(A,H)MX36(C,U)-C	669683	--	--	--	669683 (0 / 1110)	--	--	--
C7B(A,H)MX42(C,U)-C	669684	--	--	--	--	669684 (2 / 1305)	--	--
C7B(A,H)MX48(C,U)-C	669852	--	--	--	--	--	669852 (0 / 1525)	--
C7B(A,H)MX60(C,U)-C	669686	--	--	--	--	--	--	669686 (0 / 1540)
C7B(A,H)MX60(C,U)-D	669686	--	--	--	--	--	--	669686 (0 / 1540)
C8-0								
C8(B,D)AM01830U-B	0.061	920668A (2 / 540)	920668A (0 / 770)	920669A (7 / 1000)	--	--	--	--
C8(B,D)AM036U-B	0.067	--	--	--	920670A (0 / 1100)	--	--	--
C8-X								
C8BAMX24U-B	669564	669564 (2 / 540)	669564 (0 / 770)	--	--	--	--	--
C8BAMX30U-B	669565	--	--	669565 (7 / 1000)	--	--	--	--
C8BAMX36U-B	669566	--	--	--	669566 (0 / 1100)	--	--	--

NOTES:

- The charges listed are only valid for the standard 15' lineset.
- Part numbers beginning with 669***are TXV part numbers and numbers listed as 0.*** are restrictor diameters.

**Table 4. REQUIRED RESTRICTOR OR TXV
(CHARGE ADDITION (OZ) / RATED AIRFLOW -SCFM) - Continued**

