

TECHNICAL SPECIFICATIONS

ES4BF-K(A,B) Series

R-410A Extra High Efficiency Air Conditioner 16 SEER Residential System 2 - 5 Ton Capacity

The ES4BF Series now offers the choice of an air conditioner that uses a more efficient and environmentally friendly refrigerant designated R-410A. The ES4BF-K(A,B) Series air conditioners offers exceptional performance. The unit, when combined with our engineered coils or air handlers, offers a line of quality, 16 SEER split system cooling equipment.



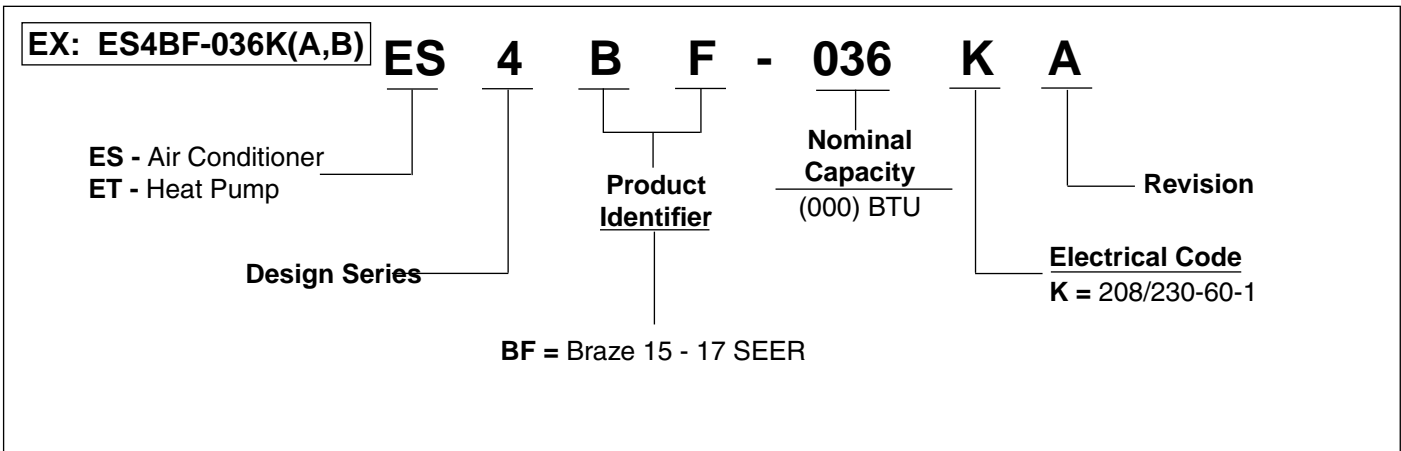
WARRANTY

- This product offers a 10-year all-parts warranty.
- This product offers a 1 year Quality Pledge to replace the entire unit, if the unit's major component (heat exchanger or compressor) fails within the first year of operation, to the original owner. All split system products must be installed with a matched indoor air handler or indoor coil to qualify.
- Consumer product registration required for both 10 year All Parts Warranty and 1 year Quality Pledge within a limited period of time after the installation. See current warranty document or visit our consumer web site for warranty details.

FEATURES and BENEFITS

- **R-410A Refrigerant:** Earth friendly non-ozone depleting refrigerant.
- **Copeland Scroll UltraTech™ Compressor:** The Ultra Tech Compressor operates with 2 stages of cooling capacity to provide superior comfort and efficiency. Copeland's proven and simple design equates to years of comfort and reliability for the homeowner with virtually silent operation.
- **Durable, Attractive Cabinet:** Designed using galvanized steel with a polyester urethane finish. The 950 hour salt spray finish is 1.5 mil thick and resists corrosion 50% better than comparable units.
- **Composite Base Pan:** Absorbs sound and is corrosion resistant. Composite is also stronger and lighter than steel.
- **Copper Tube / Aluminum Fin Coils:** Both indoor and outdoor coils are designed to optimize heat transfer, minimize size and cost, and increase durability and reliability.
- **Louvered Condenser Guard:** Durable metal guard protects the coil from yard hazards and extreme weather.
- **Removable Top Grille Assembly:** Allows ease of service from the top without disconnecting fan motor leads.
- **Low Pressure Switch:** Loss of charge protection ensures long compressor life. Auto-reset feature prevents nuisance service visits.
- **High Pressure Switch:** Protects against abnormally high system pressures. Auto-reset feature prevents nuisance service visits.
- **Liquid Line Filter Drier:** Included with unit, field installed.
- **One Piece Top/Orifice:** Designed for maximum airflow and quiet operation.
- **Easy Compressor and Control Access:** Designed to make servicing easier for the contractor, access panels are provided to all controls and the compressor from the side of the unit.

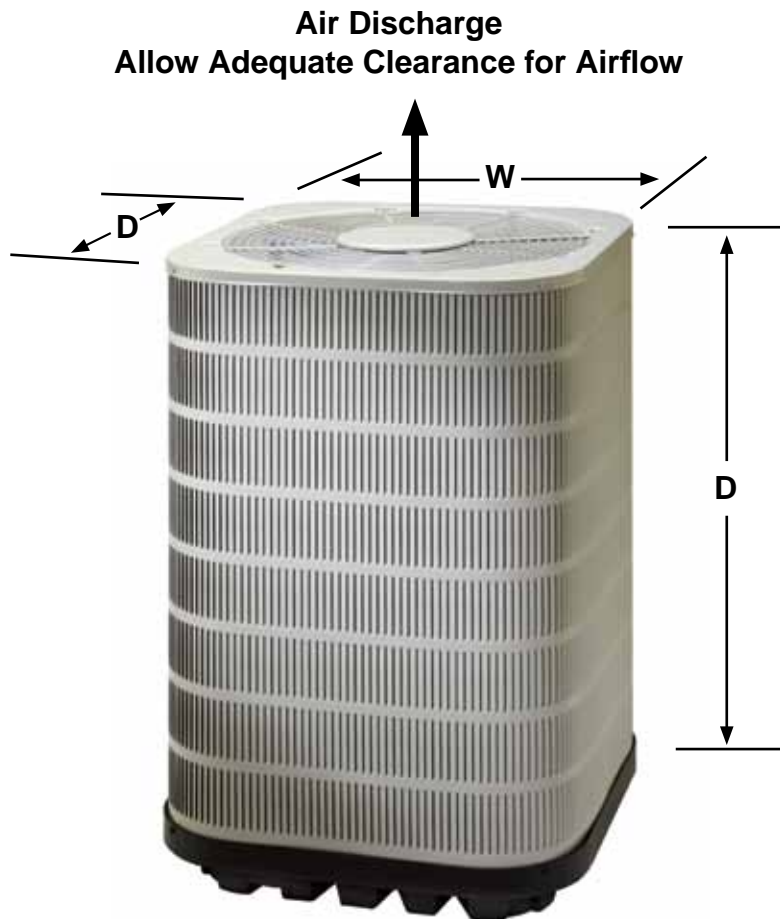
MODEL IDENTIFICATION CODES



DIMENSIONS

AIR CONDITIONER OUTDOOR SECTION

ES4BF	024KA	036KA	048KB	060KB
H	43	43	43	43
W	30 3/4	30 3/4	30 3/4	30 3/4
D	30 3/4	30 3/4	30 3/4	30 3/4



PHYSICAL AND ELECTRICAL SPECIFICATIONS / OUTDOOR UNITS

16 SEER — R-410A Extra High Efficiency — Single Phase

Model Number ES4BF		024KA	036KA	048KB	060KB	
Electrical Data	Volts-Cycles-Phase (1)	208/230-60-1	208/230-60-1	208/230-60-1	208/230-60-1	
	Total Amps	11.3	17.9	19.6	25.9	
	Delay Fuse Max. (2)	20	35	40	50	
	Min. Circuit Ampacity	13.9	22.1	23.8	31.7	
Condenser Data	Coil	Area	25.4	25.4	25.4	25.4
		Rows-FPI	1-20	1-20	2-18	2-18
		Tube Dia	3/8" O.D.	3/8" O.D.	3/8" O.D.	3/8" O.D.
	Fan Motor	Type	PSC	PSC	BLDC	BLDC
		Speeds	1	2	2	2
		Amps	1.0	1.3	2.9	2.9
		Lo/Hi Spd Watts	200	187/250	150/200	150/200
		HP	1/4	1/4	1/3	1/3
	Fan Blade	Dia-# Blades	24"- 2	24"- 2	24"- 2	24"- 2
		SCFM	3600	4000	4000	4000
	Compressor Data	RLA	10.3	16.6	16.7	23.0
		LRA	52	82	96	118
Refrigerant suction line O.D.(all length of liquid line are 3/8" O.D.)	0-24 ft.	3/4"	7/8" (4)	7/8"	7/8"	
	25-39 ft.	7/8"	1-1/8" (3)	1-1/8" (3)	1-1/8" (3)	
	40-75 ft.	7/8"	1-1/8" (3)	1-1/8" (3)	1-1/8" (3)	
Refrigerant charge (R-410A) in ounces for outdoor unit, indoor unit and 15' lineset. (5)		150	170	278	260	
Weight	Net	248	260	270	284	
	Approximate (lbs.)	Ship	260	272	282	296

(1) Operating voltage range: 187V minimum - 253 V maximum

(2) HACR type circuit breakers may be used

(3) Requires 1-1/8 to 7/8" reducer from unit to lineset.

(4) Use of a 3/4" lineset will result in approximately 2% loss in capacity.

(5) Additional charge for line sets above 15 feet. Values based on suction line as follows with 3/8" liquid line.

a) 3/4" = 0.6 oz. per additional foot

b) 7/8" = 0.7 oz. per additional foot

c) 1 1/8" = 0.8 oz per additional foot

ACCESSORIES - Condensing Unit

Start Assist Kit - 912933

Provides additional starting torque for the compressor motor when operating with low line voltage or high operating temperatures.

COPPER WIRE SIZE — AWG (1% Voltage Drop)				
Supply Wire Length-Feet				Supply Circuit
200	150	100	50	Ampacity
6	8	10	14	15
4	6	8	12	20
4	6	8	10	25
4	4	6	10	30
3	4	6	8	35
3	4	6	8	40
2	3	4	6	45
2	3	4	6	50

Wire Size based on N.E.C. for 60° type copper conductors.

SYSTEM COOLING CAPACITIES

16 SEER — Extra High Efficiency — Single Phase

With this Coil							
Outdoor Unit Number ES4BF	Indoor Unit Number C6BA/H-	Low Speed Capacity (Btu/h)	High Speed Capacity (Btu/h)	SEER	EER	Low Speed SCFM	High Speed SCFM
024KA	X24(C,U)-B+MB6VM	18000	24000	16.0	13.5	640	850
036KA	X36(C,U)-B+MB6VM	25000	36000	16.0	12.5	900	1250
036KA	X36(C,U)-C+MB6VM	25000	36000	16.0	12.5	900	1250
036KA	X37(C,U)-C+MB6VM	25800	36000	16.0	13.0	940	1270
048KB	X48(C,U)-C+MB6VM	30200	43500	16.0	13.0	950	1400
060KB	X60(C,U)-C+MB6VM	40000	57000	16.0	13.0	1025	1500

With this Air Handler							
Outdoor Unit Number ES4BF	Indoor Unit Number B4VM	Low Speed Capacity (Btu/h)	High Speed Capacity (Btu/h)	SEER	EER	Low Speed SCFM	High Speed SCFM
024KA	X24KB	18000	24000	16.0	13.5	640	850
036KA	X36KB	25000	36000	16.0	13.0	900	1250
048KB	X48KC	30200	43500	16.0	13.0	950	1400
060KB	X60KC	40000	57000	16.0	13.0	1025	1500

Air handlers and coils used in tables are designed and manufactured by NORDYNE.

See current AHRI Directory for certified combinations and ratings.
www.ahridirectory.org

EXPANDED COOLING PERFORMANCE - 2-STAGE AC SYSTEMS

ES4BF-024KA with C6B(A,H)-X24(C,U)-B + VSB - High Speed
 ES4BF-024KA with B4VM-X24K-B - High Speed

CFM	O.D.T		75°F			85°F			95°F			105°F			115°F		
	E.D.B.	E.W.B.	T.C.	S.C.	K.W.	T.C.	S.C.	K.W.	T.C.	S.C.	K.W.	T.C.	S.C.	K.W.	T.C.	S.C.	K.W.
750	80	62	24.6	21.5	1.45	23.5	21.1	1.61	22.4	20.9	1.79	21.2	20.7	1.99	20.0	19.5	2.22
	80	67	26.5	17.8	1.46	25.3	17.3	1.63	24.0	16.8	1.80	22.7	16.3	2.00	21.2	15.8	2.23
	80	72	28.6	13.8	1.46	27.3	13.4	1.64	25.9	12.9	1.82	24.5	12.4	2.02	22.9	11.9	2.24
	75	63	24.6	17.2	1.45	23.5	16.7	1.61	22.4	16.3	1.79	21.1	15.7	1.99	19.7	15.2	2.22
850	80	62	25.3	22.8	1.46	24.2	22.3	1.62	23.1	21.9	1.80	21.9	21.9	2.00	20.7	20.7	2.22
	80	67	27.0	19.0	1.46	25.7	18.4	1.63	24.5	18.0	1.81	23.1	17.4	2.01	21.6	16.8	2.23
	80	72	29.1	14.5	1.47	27.7	14.0	1.64	26.3	13.6	1.82	24.8	13.1	2.02	23.2	12.5	2.25
	75	63	25.2	18.3	1.45	24.0	17.8	1.62	22.8	17.3	1.80	21.5	16.8	2.00	20.0	16.1	2.22
950	80	62	25.8	24.1	1.47	24.8	23.5	1.62	23.7	23.1	1.80	22.5	22.5	2.00	21.2	21.2	2.23
	80	67	27.5	20.1	1.47	26.1	19.5	1.63	24.8	19.0	1.81	23.4	18.5	2.01	21.9	17.9	2.24
	80	72	29.6	15.2	1.48	28.1	14.7	1.65	26.7	14.2	1.83	25.1	13.7	2.03	23.5	13.2	2.25
	75	63	25.6	19.3	1.46	24.4	18.8	1.62	23.1	18.3	1.80	21.8	17.7	2.00	20.3	17.1	2.23

ES4BF-024KA with C6B(A,H)-X24(C,U)-B + VSB - Low Speed
 ES4BF-024KA with B4VM-X24K-B - Low Speed

CFM	O.D.T		75°F			85°F			95°F			105°F			115°F		
	E.D.B.	E.W.B.	T.C.	S.C.	K.W.	T.C.	S.C.	K.W.	T.C.	S.C.	K.W.	T.C.	S.C.	K.W.	T.C.	S.C.	K.W.
540	80	62	18.7	16.5	1.04	17.8	16.2	1.15	17.0	15.9	1.32	16.0	15.7	1.52	15.1	14.9	1.75
	80	67	20.5	13.9	1.04	19.5	13.5	1.16	18.5	13.1	1.33	17.5	12.7	1.53	16.3	12.2	1.76
	80	72	22.5	11.1	1.04	21.4	10.8	1.17	20.3	10.4	1.34	19.1	10.0	1.53	17.8	9.5	1.76
	75	63	18.8	13.4	1.03	18.0	13.0	1.15	17.1	12.6	1.32	16.1	12.1	1.52	15.0	11.7	1.76
640	80	62	19.5	18.1	1.04	18.6	17.8	1.15	17.8	17.3	1.33	16.9	16.9	1.53	15.9	15.9	1.76
	80	67	21.2	15.2	1.04	20.2	14.8	1.16	19.1	14.4	1.33	18.0	13.9	1.53	16.8	13.4	1.76
	80	72	23.1	11.9	1.04	22.0	11.5	1.17	20.9	11.1	1.34	19.7	10.7	1.53	18.3	10.2	1.76
	75	63	19.5	14.6	1.04	18.6	14.2	1.16	17.6	13.8	1.33	16.6	13.3	1.53	15.4	12.8	1.76
740	80	62	20.2	19.4	1.05	19.5	18.9	1.16	18.6	18.3	1.33	17.7	17.7	1.53	16.6	16.6	1.76
	80	67	21.7	16.4	1.05	20.6	16.0	1.16	19.6	15.6	1.34	18.4	15.1	1.53	17.2	14.6	1.76
	80	72	23.6	12.7	1.05	22.4	12.3	1.17	21.3	11.9	1.34	20.1	11.5	1.54	18.7	11.0	1.76
	75	63	20.0	15.7	1.04	19.1	15.3	1.16	18.1	14.9	1.33	17.0	14.4	1.53	15.8	13.9	1.76

ES4BF-036KA with C6B(A,H)-X36(C,U)-B + VSB - High Speed
 ES4BF-036KA with B4VM-X36K-B - High Speed

CFM	O.D.T		75°F			85°F			95°F			105°F			115°F		
	E.D.B.	E.W.B.	T.C.	S.C.	K.W.	T.C.	S.C.	K.W.	T.C.	S.C.	K.W.	T.C.	S.C.	K.W.	T.C.	S.C.	K.W.
1150	80	62	36.7	32.2	2.35	35.0	31.6	2.62	33.5	31.3	2.87	31.7	31.0	3.16	29.9	29.2	3.51
	80	67	39.5	26.7	2.37	37.6	26.0	2.65	35.9	25.3	2.89	33.9	24.6	3.19	31.7	23.7	3.52
	80	72	42.6	20.8	2.39	40.7	20.1	2.67	38.7	19.5	2.92	36.6	18.8	3.22	34.1	18.0	3.55
	75	63	36.9	25.9	2.36	35.2	25.2	2.62	33.5	24.5	2.87	31.6	23.7	3.17	29.6	22.9	3.50
1250	80	62	37.4	33.7	2.36	35.7	33.0	2.63	34.1	32.5	2.87	32.4	32.4	3.17	30.6	30.6	3.51
	80	67	40.1	28.0	2.38	38.2	27.2	2.66	36.3	26.5	2.89	34.3	25.7	3.19	32.0	24.9	3.52
	80	72	43.2	21.6	2.40	41.1	20.9	2.68	39.2	20.3	2.93	36.9	19.5	3.22	34.5	18.7	3.55
	75	63	37.4	27.1	2.36	35.7	26.3	2.63	33.9	25.6	2.87	32.0	24.8	3.17	29.9	24.0	3.51
1350	80	62	37.8	35.6	2.39	36.3	34.7	2.63	34.8	34.0	2.88	33.1	33.1	3.18	31.2	31.2	3.52
	80	67	40.6	29.1	2.39	38.6	28.4	2.66	36.7	27.7	2.90	34.7	26.9	3.20	32.4	26.0	3.53
	80	72	43.8	22.3	2.41	41.5	21.6	2.68	39.5	21.0	2.93	37.3	20.3	3.22	34.8	19.5	3.55
	75	63	37.9	28.2	2.38	36.1	27.4	2.63	34.3	26.7	2.88	32.4	25.9	3.17	30.2	25.0	3.51

ES4BF-036KA with C6B(A,H)-X36(C,U)-B + VSB - Low Speed
 ES4BF-036KA with B4VM-X36K-B - Low Speed

CFM	O.D.T		75°F			85°F			95°F			105°F			115°F		
	E.D.B.	E.W.B.	T.C.	S.C.	K.W.	T.C.	S.C.	K.W.	T.C.	S.C.	K.W.	T.C.	S.C.	K.W.	T.C.	S.C.	K.W.
800	80	62	26.0	22.7	1.50	24.8	22.2	1.67	23.6	22.0	1.88	22.3	21.7	2.11	20.9	20.5	2.38
	80	67	28.3	18.9	1.48	27.0	18.4	1.65	25.6	17.9	1.85	24.2	17.3	2.09	22.5	16.7	2.35
	80	72	31.0	14.9	1.45	29.6	14.4	1.62	28.1	14.0	1.82	26.4	13.4	2.05	24.5	12.8	2.32
	75	63	26.2	18.3	1.50	25.0	17.8	1.67	23.8	17.3	1.88	22.4	16.7	2.11	20.8	16.0	2.38
900	80	62	26.7	24.4	1.50	25.5	23.9	1.66	24.4	23.4	1.87	23.1	23.1	2.10	21.8	21.7	2.36
	80	67	28.9	20.2	1.47	27.6	19.7	1.64	26.2	19.2	1.85	24.7	18.6	2.08	22.9	17.9	2.35
	80	72	31.6	15.8	1.44	30.1	15.3	1.61	28.5	14.8	1.82	26.8	14.2	2.05	24.9	13.6	2.31
	75	63	26.9	19.6	1.50	25.6	19.0	1.66	24.4	18.5	1.87	22.9	17.9	2.10	21.2	17.2	2.37
1000	80	62	27.4	26.0	1.50	26.3	25.3	1.66	25.2	24.7	1.86	23.9	23.9	2.09	22.5	22.5	2.35
	80	67	29.5	21.5	1.47	28.1	20.9	1.64	26.7	20.4	1.84	25.1	19.8	2.07	23.3	19.2	2.34
	80	72	32.1	16.6	1.44	30.4	16.1	1.61	28.9	15.6	1.81	27.2	15.0	2.04	25.3	14.4	2.31
	75	63	27.4	20.8	1.50	26.1	20.2	1.66	24.8	19.7	1.86	23.3	19.0	2.10	21.6	18.4	2.37

EXPANDED COOLING PERFORMANCE - 2-STAGE AC SYSTEMS

ES4BF-048KB with C6B(A,H)-X48(C,U)-C + VSB - High Speed

ES4BF-048KB with B4VM-X48K-C - High Speed

O.D.T			75°F			85°F			95°F			105°F			115°F		
CFM	E.D.B.	E.W.B.	T.C.	S.C.	K.W.	T.C.	S.C.	K.W.	T.C.	S.C.	K.W.	T.C.	S.C.	K.W.	T.C.	S.C.	K.W.
1500	80	62	49.1	43.4	3.15	46.8	42.6	3.50	44.4	41.8	3.81	41.8	40.9	4.16	39.1	38.5	4.57
	80	67	53.0	36.3	3.17	50.4	35.3	3.55	47.8	34.2	3.85	44.8	33.1	4.20	41.4	31.7	4.61
	80	72	57.3	28.8	3.21	54.7	27.9	3.60	51.6	26.8	3.90	48.4	25.7	4.25	44.7	24.4	4.66
	75	63	49.3	35.2	3.15	47.0	34.2	3.51	44.6	33.1	3.81	41.8	31.9	4.16	38.7	30.6	4.57
1600	80	62	49.7	44.9	3.16	47.4	44.1	3.51	45.0	43.1	3.81	42.5	42.4	4.17	39.7	39.7	4.59
	80	67	53.4	37.5	3.18	50.9	36.5	3.55	48.2	35.4	3.86	45.2	34.2	4.21	41.8	32.8	4.62
	80	72	57.7	29.6	3.23	55.0	28.6	3.60	52.0	27.6	3.90	48.7	26.4	4.26	45.0	25.1	4.66
	75	63	49.9	36.3	3.16	47.6	35.3	3.52	45.0	34.2	3.82	42.3	33.0	4.17	39.0	31.6	4.58
1700	80	62	50.1	47.1	3.20	48.1	46.0	3.52	45.7	45.0	3.82	43.2	43.2	4.18	40.4	40.4	4.59
	80	67	54.1	38.7	3.20	51.4	37.7	3.56	48.6	36.6	3.86	45.6	35.4	4.21	42.1	34.0	4.61
	80	72	58.4	30.3	3.24	55.4	29.4	3.61	52.4	28.3	3.91	49.1	27.1	4.26	45.3	25.8	4.67
	75	63	50.5	37.5	3.18	48.1	36.4	3.52	45.5	35.3	3.83	42.6	34.1	4.17	39.4	32.7	4.58

ES4BF-048KB with C6B(A,H)-X48(C,U)-C + VSB - Low Speed

ES4BF-048KB with B4VM-X48K-C - Low Speed

O.D.T			75°F			85°F			95°F			105°F			115°F		
CFM	E.D.B.	E.W.B.	T.C.	S.C.	K.W.	T.C.	S.C.	K.W.	T.C.	S.C.	K.W.	T.C.	S.C.	K.W.	T.C.	S.C.	K.W.
1000	80	62	35.0	30.6	2.03	33.4	30.0	2.26	31.7	29.6	2.53	29.9	29.1	2.85	28.1	27.6	3.22
	80	67	38.4	25.8	2.00	36.5	25.1	2.24	34.8	24.3	2.52	32.7	23.5	2.83	30.4	22.7	3.19
	80	72	42.5	20.7	1.99	40.6	20.0	2.22	38.4	19.3	2.50	36.1	18.5	2.80	33.5	17.7	3.16
	75	63	35.4	24.9	2.02	33.8	24.2	2.25	32.0	23.4	2.53	30.1	22.6	2.85	28.0	21.7	3.22
1100	80	62	35.8	32.4	2.02	34.2	31.8	2.25	32.5	31.2	2.53	30.8	30.8	2.84	29.0	29.0	3.21
	80	67	39.2	27.2	2.00	37.3	26.4	2.23	35.4	25.6	2.51	33.3	24.8	2.82	30.9	23.9	3.19
	80	72	43.2	21.5	1.99	41.1	20.8	2.22	38.9	20.1	2.49	36.5	19.3	2.80	33.9	18.5	3.16
	75	63	36.2	26.2	2.03	34.5	25.4	2.25	32.6	24.6	2.53	30.6	23.8	2.85	28.5	22.9	3.22
1200	80	62	36.4	34.5	2.04	35.0	33.7	2.25	33.3	32.8	2.52	31.7	31.6	2.84	29.8	29.8	3.20
	80	67	39.9	28.5	2.01	37.9	27.7	2.23	35.9	26.9	2.51	33.8	26.1	2.82	31.4	25.2	3.18
	80	72	43.8	22.4	1.99	41.6	21.7	2.22	39.3	20.9	2.49	36.9	20.1	2.80	34.3	19.2	3.15
	75	63	36.8	27.4	2.03	35.0	26.6	2.25	33.2	25.8	2.53	31.1	25.0	2.84	28.9	24.1	3.21

ES4BF-060KB with C6B(A,H)-X60(C,U)-C + VSB - High Speed

ES4BF-060KB with B4VM-X60K-C - High Speed

O.D.T			75°F			85°F			95°F			105°F			115°F		
CFM	E.D.B.	E.W.B.	T.C.	S.C.	K.W.	T.C.	S.C.	K.W.	T.C.	S.C.	K.W.	T.C.	S.C.	K.W.	T.C.	S.C.	K.W.
1575	80	62	61.2	45.0	3.53	58.0	43.6	3.98	54.8	42.3	4.43	51.6	40.9	4.88	48.4	39.5	5.33
	80	67	63.4	40.9	3.57	60.2	39.5	4.02	57.0	38.1	4.48	53.8	36.7	4.93	50.6	35.3	5.38
	80	72	65.6	36.7	3.62	62.4	35.3	4.07	59.2	33.9	4.52	56.1	32.6	4.97	52.9	31.2	5.42
	75	63	58.2	40.6	3.58	55.0	39.2	4.03	51.8	37.9	4.48	48.6	36.5	4.93	45.4	35.1	5.38
1625	80	62	61.8	45.2	3.56	58.6	43.8	4.01	55.4	42.4	4.46	52.2	41.0	4.91	49.0	39.7	5.36
	80	67	64.0	41.0	3.60	60.8	39.6	4.05	57.6	38.2	4.50	54.4	36.9	4.95	51.2	35.5	5.40
	80	72	66.2	36.8	3.65	63.0	35.5	4.10	59.8	34.1	4.55	56.6	32.7	5.00	53.4	31.3	5.45
	75	63	58.8	40.8	3.61	55.6	39.4	4.06	52.4	38.0	4.51	49.2	36.6	4.96	46.0	35.3	5.41
1675	80	62	62.3	45.3	3.59	59.1	43.9	4.04	55.9	42.6	4.49	52.7	41.2	4.94	49.6	39.8	5.39
	80	67	64.5	41.1	3.63	61.3	39.8	4.08	58.1	38.4	4.53	55.0	37.0	4.98	51.8	35.6	5.43
	80	72	66.7	37.0	3.68	63.6	35.6	4.13	60.4	34.2	4.58	57.2	32.8	5.03	54.0	31.5	5.48
	75	63	59.3	40.9	3.64	56.1	39.5	4.09	52.9	38.1	4.54	49.8	36.8	4.99	46.6	35.4	5.44

ES4BF-060KB with C6B(A,H)-X60(C,U)-C + VSB - Low Speed

ES4BF-060KB with B4VM-X60K-C - Low Speed

O.D.T			75°F			85°F			95°F			105°F			115°F		
CFM	E.D.B.	E.W.B.	T.C.	S.C.	K.W.	T.C.	S.C.	K.W.	T.C.	S.C.	K.W.	T.C.	S.C.	K.W.	T.C.	S.C.	K.W.
1070	80	62	41.0	34.0	2.40	39.1	33.4	2.68	37.1	32.8	3.05	34.9	32.3	3.45	32.4	31.1	3.90
	80	67	44.7	28.9	2.39	42.5	28.0	2.68	40.3	27.1	3.04	37.9	26.1	3.45	35.2	25.1	3.89
	80	72	48.9	23.1	2.38	46.7	22.4	2.67	44.3	21.5	3.04	41.6	20.6	3.45	38.5	19.6	3.90
	75	63	41.5	28.0	2.40	39.6	27.2	2.68	37.5	26.3	3.05	35.3	25.3	3.45	32.7	24.2	3.91
1170	80	62	41.8	35.8	2.41	39.9	35.2	2.68	37.8	34.6	3.04	35.6	34.6	3.45	33.1	33.1	3.90
	80	67	45.4	30.1	2.39	43.3	29.3	2.67	41.0	28.4	3.04	38.6	27.4	3.45	35.8	26.3	3.91
	80	72	49.8	24.0	2.39	47.4	23.2	2.67	44.8	22.4	3.05	42.1	21.5	3.45	38.9	20.5	3.90
	75	63	42.3	29.2	2.41	40.3	28.4	2.68	38.2	27.5	3.05	35.9	26.5	3.45	33.2	25.4	3.91
1270	80	62	42.3	38.3	2.43	40.6	37.3	2.67	38.5	36.9	3.04	36.3	36.1	3.45	34.0	34.0	3.90
	80	67	46.2	31.4	2.40	43.9	30.6	2.67	41.7	29.7	3.04	39.1	28.7	3.45	36.2	27.6	3.90
	80	72	50.5	24.9	2.40	47.9	24.1	2.67	45.3	23.2	3.04	42.4	22.3	3.45	39.3	21.3	3.90
	75	63	43.0	30.5	2.41	40.9	29.6	2.68	38.8	28.7	3.05	36.4	27.7	3.45	33.7	26.6	3.90



Through Technician Certification by NATE

Unitary Small AC
AHRI Standard 210/240
Certification applies only when the complete system is listed with AHRI.

GENERAL TERMS OF LIMITED WARRANTY

NORDYNE will furnish a replacement for any part of this product which fails in normal use and service within the first ten years of installation, in accordance with the terms of the warranty.

For complete details of the Limited Warranty, including applicable terms and conditions, see your local installer or contact the NORDYNE warranty department for a copy.

NORDYNE

COMPLETE COMFORT. GENUINE VALUE.

8000 Phoenix Parkway | O'Fallon, MO 63368-3827

Specifications and illustrations subject to change without notice and without incurring obligations. Printed in U.S.A (04/2010)

598D-0410