

**MAYTAG**

## TECHNICAL SPECIFICATIONS

*Model PPG2GF Series Rev A  
with R-410A Refrigerant*



M1200 Product Line

**Single Packaged Gas/Electric Units**

**15 SEER — 2 - 5 Ton Units**

**2-Stage Heat/Cool with Variable Speed Blower**

- **M1200 - 12 YEAR ALL PARTS LIMITED WARRANTY**
- **M1200 WITH UPGRADED WARRANTY PACKAGE - 12 YEAR ALL PARTS & LABOR LIMITED WARRANTY**
- **Both the standard and upgraded limited warranty packages offer a 12 Year Dependability Promise to replace the entire unit, if the unit's major component (heat exchanger or compressor) fails within the first 12 years of operation, to the original owner.**
- **Product registration (by consumer or dealer) required for 12-year Warranty and Dependability Promise within a limited period of time after the installation. See current warranty document for details. This can be viewed at [www.maytagvac.com](http://www.maytagvac.com) or ask your sales representative.**
- **Dealer is responsible for registration of labor portion of warranty.**
- **Also when registered, this product is upgraded to a limited lifetime heat exchanger warranty.**

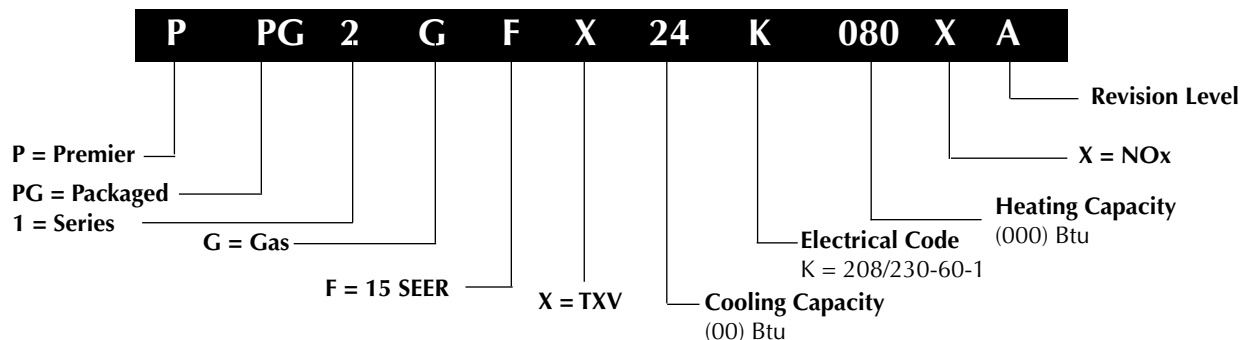


The PPG2GF Series single packaged gas/electrics are high efficiency self contained cooling units that can be installed on the roof or on a slab. The convertible unit design makes installations simple in all applications. Units are ETL listed.

### Features and Benefits

- **Copeland Ultra-Tech Scroll Compressor:** State of the art 2 stage compressor is standard equipment.
- **Comfort Alert® II:** a breakthrough innovation to help contractors troubleshoot compressor failures. Field results prove that Comfort Alert diagnostics is improving accuracy and speed of service, which means reduced callbacks and more satisfied customers.
- **Quiet Operation and Low Vibration:** Swept-wing fan blade combined with custom Venturi condenser fan.
- **Compressor Sound Blanket:** Is standard equipment.
- **R-410A Refrigerant:** Earth friendly non-ozone depleting refrigerant.
- **Wire guard coated with Earth Friendly Epoxy and plastic mesh hail guard:** A guard that will never rust and protects the units coil from being damaged.
- **Copper Tube / Aluminum Fin Coils:** Both indoor and outdoor coils are designed to optimize heat transfer, minimize size and cost, and increase durability and reliability.
- **Designed using Galvanized Steel:** with a polyester urethane coat finish. The 950 hour salt spray finish is 1.5 mil thick and resists corrosion 50% better than comparable units.
- **Smaller Panels, Great Fit and Finish, Total Seal:** Well-designed, quality construction.
- **One Piece Top Pan:** With drip edge on top panels whisks away rainwater.
- **Permanently Lubricated Condenser Motor:** A heavy duty PSC motor for long lasting reliability and quiet operation. Requires no maintenance and is completely protected from rain and snow.
- **Thermostatic Expansion Valves:** Factory installed externally equalized thermostatic expansion valves provides precise refrigerant control under varying load conditions.
- **Hi/Low Pressure Switches:** Ensure long compressor life.
- **Externally Accessible, High Flow Service Ports:** Quick access to refrigeration system.
- **Liquid Line Filter Driers:** Factory installed at a convenient location for service.
- **2-Stage Heat Operation:** Featuring a 2 stage gas valve and 2 speed inducer motor.
- **Choice of Heating Control:** Two stage thermostat or single stage heating thermostat with on the control board timing of 5 or 10 minute delay for second stage of heat.
- **Low Voltage Transformer:** Includes 5 Amp fuse to protect low voltage circuit.
- **Corrosion-Resistant Drain Pan:** Quickly drains away evaporator condensate.
- **ECM Variable Speed Blower Motor:** Advanced technology allows the motor to automatically adjust to different static loads. The variable speed motor allows for extra quiet operation and improved air quality.
- **Heavy-Gauge, Full Perimeter Base Rails:** Facilitates forklift handling and curb mounting.
- **Convertible Air Delivery:** Horizontal or downflow to accommodate rooftop or horizontal applications.
- **Easy Compressor and Control Access:** Designed to make servicing easier for the contractor, access panels are provided to all controls and the compressor from the side of the unit.
- **Easy access:** to the evaporator coil for cleaning and general maintenance.
- **Removable Top Grille Assembly:** Allows ease of service to the fan motor.
- **Duct Flanges:** reduce installation costs.
- **Proven, Industry Standard Components:** Easier service and availability.
- **SmartStart™ Control Board:** Provides extended life to igniters using hot surface ignition technology. Programmed to learn the heat-up characteristics of the igniter, then adapt the ignition time to the characteristics of the furnace so the igniter is energized appropriately.
- **Hot Surface igniter:** Innovative application of an appliance type igniter with a 20 year history of reliability.
- **Accessories:** Roof curbs and more.

# IDENTIFICATION CODE

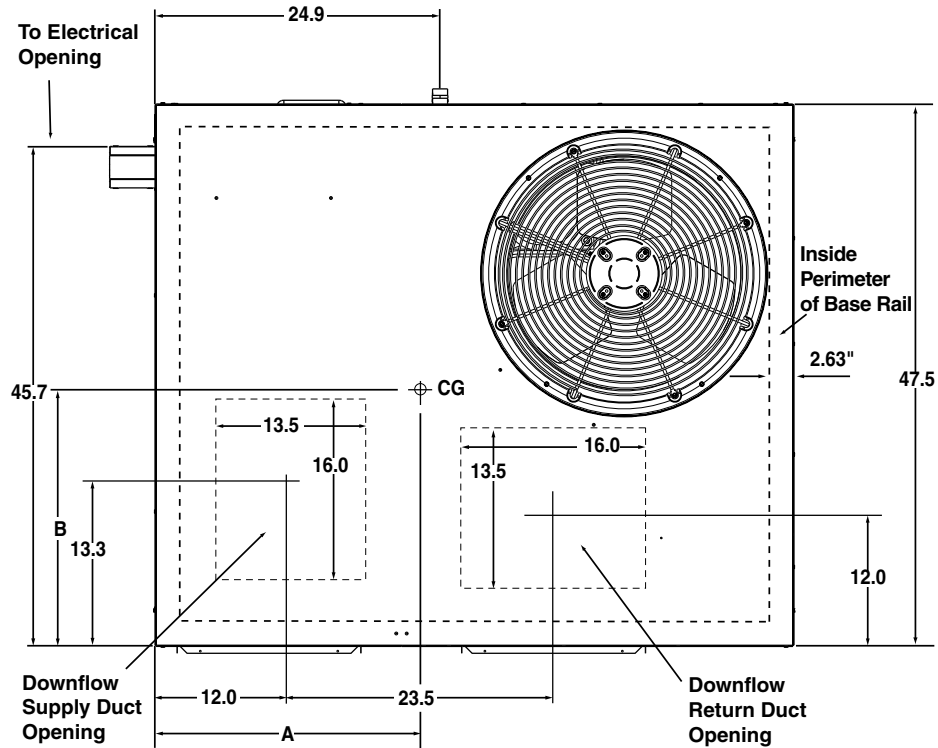


# SPECIFICATIONS

## Single Phase

MODEL	PPG2GFX24K080XA	PPG2GFX36K100XA	PPG2GFX48K120XA	PPG2GFX60K120XA
<b>Performance</b>				
Heating Input High/Low Btuh	80,000 / 52,000	100,000 / 65,000	120,000 / 72,000	120,000 / 72,000
Heating Output High/Low Btuh	64,000 / 41,600	80,000 / 52,000	96,000 / 57,600	96,000 / 57,600
Capacity-Cooling Btuh	24,000	35,200	47,000	55,500
AFUE	80	80	80	80
Efficiency -- SEER	15.00	15.00	15.00	15.00
Efficiency -- EER	12.00	12.00	12.00	12.00
<b>Electrical Rating - 60 Hz</b>				
Phase	1	1	1	1
Operating Voltage Range	187 - 253	187 - 253	187 - 253	187 - 253
Minimum Circuit Ampacity	20.8	30.9	41.9	44.4
Max. Overcurrent Protection	30	45	60	60
<b>Compressor Data</b>				
Volts	208 / 230	208 / 230	208 / 230	208 / 230
Rated Load Amps	11.4	19	24	26
Lock Rotor Amps	52	82	96	118
<b>Indoor Blower</b>				
Wheel Diameter	10 x 10	10 x 10	11 x 10	11 x 10
Motor Type	Variable Speed	Variable Speed	Variable Speed	Variable Speed
Motor HP	1/2	1/2	1	1
Motor Amps	4.3	4.3	9.1	9.1
<b>Outdoor Fan</b>				
Motor HP	1/4	1/4	1/4	1/4
Motor Amps	.91	1.46	1.46	1.46
Fan Diameter/CFM	20" / 3500	24" / 4000	24" / 4000	24" / 4000
<b>Refrigerant Charge (oz)</b>	131.2	128	240	272

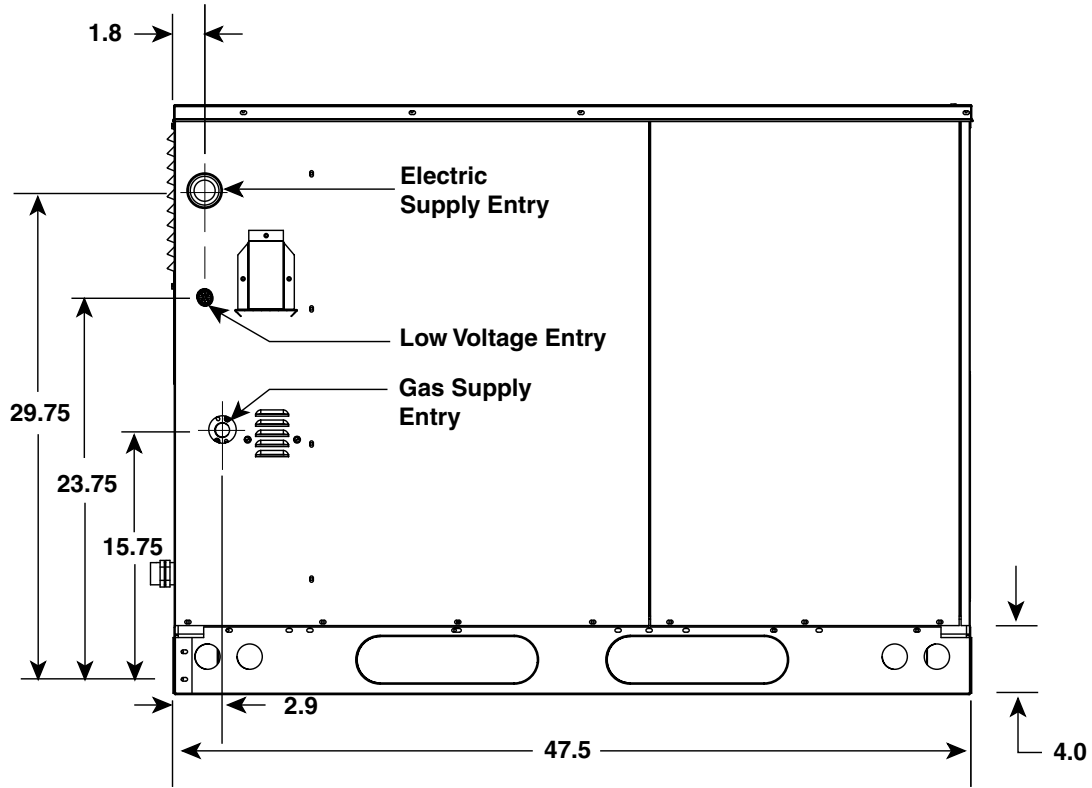
# DIMENSIONS



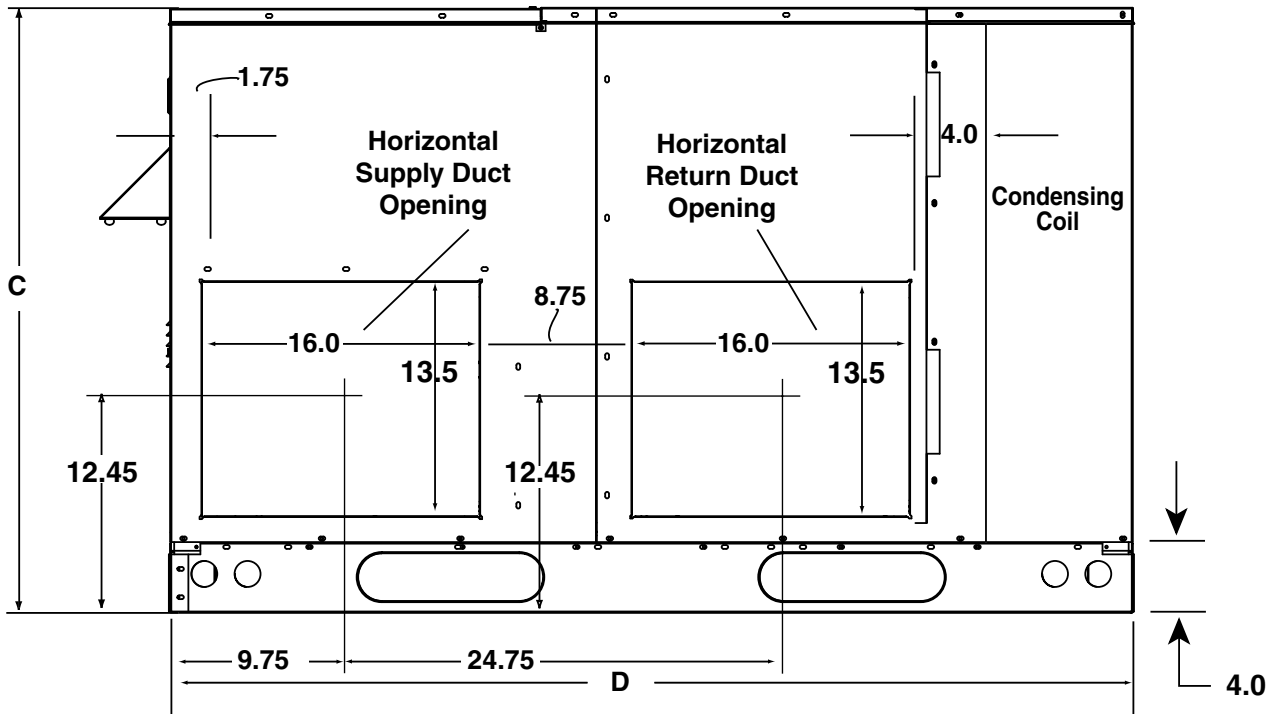
Top View

Model Number	Unit Weight	Shipping Weight	Center of Gravity		Height (in inches) C		Length D
			A	B	with base rails	without base rails	
X24K080XA	460	470	26.0	27.0	39.0	35.3	55.8
X36K100XA	480	490	26.0	27.0	39.0	35.3	55.8
X48K120XA	609	618	26.0	27.0	47.0	43.3	55.8
X60K120XA	659	675	30.0	26.5	47.0	43.3	63.6

# DIMENSIONS continued



Side View



Back View

# AIRFLOW DATA

## Nominal Airflow Rates and Temperature Rise

Model Number	Heating Input (Btuh)	Heating Output (Btuh)	CFM Range	Heating Rise Range (°F)	Cooling Output (Btuh)	Blower Size	Motor (HP)
X24K080XA	80,000	64,000	1100 - 1350	35-65	24,000	10 X 10	1/2
	52,000	41,600	750 - 1050				
X36K100XA	100,000	80,000	1100 - 1400	40-70	35,200	10 X 10	1/2
	65,000	52,000	950 - 1100				
X48K120XA	120,000	96,000	1500 - 2000	40-70	47,000	11 X 10	1
	78,000	62,400	950 - 1250				
X60K120XA	120,000	96,000	1500 - 2000	40-70	55,500	11 X 10	1
	78,000	62,400	950 - 1250				

NOTE: CFM and Rise are independent of ESP in a variable speed blower.

## Cooling Airflow Settings

2 TON UNITS				3 TON UNITS				4 - 5 TON UNITS				
BLOWER SELECTOR SETTING		RECOMMENDED A/C AIRFLOW RATE (CFM)	BLOWER SELECTOR SETTING		RECOMMENDED A/C AIRFLOW RATE (CFM)	BLOWER SELECTOR SETTING		RECOMMENDED A/C AIRFLOW RATE (CFM)				
COOL	ADJUST		COOL	ADJUST		COOL	ADJUST	COOL	ADJUST			
TAP "A"	-10%	2 TON	720	TAP "A"	-10%	3 TON	875	TAP "A"	-10%	4 TON	5 TON	1440
	Normal		800		Normal		970		Normal			1600
	+10%		880		+10%		1065		+10%			1760
TAP "B"	-10%	2 TON	810	TAP "B"	-10%	3 TON	1050	TAP "B"	-10%	4 TON	5 TON	1530
	Normal		<b>900</b>		Normal		<b>1170</b>		Normal			1700
	+10%		990		+10%		1290		+10%			1870
TAP "C"	-10%	2 TON	900	TAP "C"	-10%	3 TON	1140	TAP "C"	-10%	4 TON	5 TON	<b>1620</b>
	Normal		1000		Normal		1270		Normal			1800
	+10%		1100		+10%		1400		+10%			1980
TAP "D"	-10%	2 TON	1080	TAP "D"	-10%	3 TON	1260	TAP "D"	-10%	4 TON	5 TON	1710
	Normal		1200		Normal		1400		Normal			1900
	+10%		1320		+10%		1540		+10%			2090

NOTE: Blower "ADJUST" tap non-functional in Heating mode.

## Heating Airflow Settings

Blower HEAT Selector Setting	2 TON				3 TON				4 & 5 TON			
	Low Input		High Input		Low Input		High Input		Low Input		High Input	
	52,000		80,000		65,000		100,000		78,000		120,000	
	CFM	Rise	CFM	Rise	CFM	Rise	CFM	Rise	CFM	Rise	CFM	Rise
TAP "A"	750	51	1100	55	950	51	1100	69	950	61	1500	61
TAP "B"	850	45	1150	53	1000	48	1200	63	1050	55	1700	54
TAP "C"	<b>950</b>	<b>41</b>	<b>1250</b>	<b>49</b>	<b>1050</b>	<b>46</b>	<b>1300</b>	<b>58</b>	<b>1150</b>	<b>50</b>	<b>1800</b>	<b>51</b>
TAP "D"	1050	37	1350	45	1100	44	1400	54	1250	46	2000	46

### NOTES:

1. Recommended temperature rises are highlighted in **bold**. Use of any other setting may result in nuisance trips.
2. Temperature rises in the table are approximate. Actual temperature rises may vary.

# ACCESSORIES

Description	Part Number
Roof Curb (8")	547830
Roof Curb (14")	547831
Roof Curb (18")	547850
Roof Curb (24")	547851
Filter Rack, All Downflow Applications (not required with economizer)	547885
Filter Kit (not required with economizer) for Horizontal Applications X24 - X36	547888
Filter Kit (not required with economizer) for Horizontal Applications X48K - X60K	547889
Universal Hard Start Kit	912933
Low Ambient Kit	918837
U.S. LP Gas Conversion Kit (0 ft to 10,000 ft above sea level)	904404
Canadian LP Gas Conversion Kit (0 to 4,500 ft above sea level)	904405
Economizer, downflow w/filter (does not require filter kit) modulating	558870
Economizer, horizontal modulating	547841
Power Exhaust, horizontal economizer (special order)	547843
Skirt Kit 24, 36, 48	919729B
Skirt Kit 60	920936B

# PACKAGE GAS/ELECTRIC

## PPG2GFX24K

O.D.T			65°F			75°F			85°F			95°F			105°F			115°F		
CFM	E.D.B.	E.W.B.	T.C.	S.C.	K.W.	T.C.	S.C.	K.W.	T.C.	S.C.	K.W.	T.C.	S.C.	K.W.	T.C.	S.C.	K.W.	T.C.	S.C.	K.W.
650	80	62	25.0	21.6	1.25	24.0	21.1	1.44	22.9	20.6	1.65	21.8	20.1	1.89	20.7	19.5	2.17	19.5	18.9	2.50
	80	67	27.2	18.2	1.28	26.0	17.8	1.46	24.8	17.3	1.67	23.6	16.8	1.91	22.3	16.2	2.19	21.0	15.7	2.52
	80	72	29.7	14.9	1.31	28.5	14.4	1.49	27.2	14.0	1.70	25.9	13.5	1.93	24.5	13.0	2.21	23.0	12.4	2.55
	75	63	25.3	17.7	1.25	24.2	17.2	1.44	23.1	16.7	1.65	22.0	16.1	1.89	20.8	15.6	2.17	19.5	15.0	2.50
8200	80	62	26.1	24.3	1.26	25.0	23.8	1.45	24.0	23.3	1.66	23.0	22.4	1.90	21.9	21.3	2.19	20.8	20.2	2.52
	<b>80</b>	<b>67</b>	28.2	20.2	1.29	27.0	19.7	1.47	25.7	19.2	1.68	<b>24.5</b>	<b>18.8</b>	<b>1.92</b>	23.1	18.2	2.20	21.7	17.6	2.53
	80	72	30.8	16.2	1.32	29.5	15.7	1.50	28.1	15.2	1.71	26.7	14.7	1.94	25.2	14.2	2.22	23.5	13.6	2.55
	75	63	26.2	19.4	1.26	25.1	18.9	1.45	24.0	18.4	1.66	22.8	18.0	1.90	21.5	17.4	2.18	20.2	16.8	2.51
950	80	62	27.2	26.5	1.28	26.2	25.6	1.46	25.2	24.5	1.67	24.1	23.5	1.91	23.0	22.4	2.20	21.7	21.2	2.53
	80	67	29.0	22.2	1.30	27.8	21.7	1.48	26.5	21.1	1.69	25.1	20.6	1.92	23.7	20.0	2.20	22.2	19.4	2.54
	80	72	31.5	17.4	1.33	30.1	16.9	1.51	28.5	16.4	1.71	27.1	15.8	1.95	25.5	15.2	2.23	23.9	14.6	2.56
	75	63	25.9	20.8	1.46	25.9	20.8	1.46	24.7	20.3	1.67	23.4	19.7	1.90	22.1	19.1	2.19	20.7	18.5	2.52

## PPG2GFX36K

O.D.T			65°F			75°F			85°F			95°F			105°F			115°F		
CFM	E.D.B.	E.W.B.	T.C.	S.C.	K.W.	T.C.	S.C.	K.W.	T.C.	S.C.	K.W.	T.C.	S.C.	K.W.	T.C.	S.C.	K.W.	T.C.	S.C.	K.W.
950	80	62	36.5	28.3	2.16	35.2	28.1	2.39	33.7	28.3	2.65	32.0	27.7	2.94	30.23	29.19	3.26	28.26	27.29	3.63
	80	67	39.6	23.3	2.18	38.1	23.2	2.41	36.5	23.4	2.67	34.7	22.9	2.96	32.73	22.51	3.28	30.54	21.02	3.66
	80	72	43.3	17.9	2.21	41.7	17.9	2.44	39.9	18.2	2.70	37.9	17.8	2.99	35.74	17.54	3.31	33.31	17.90	3.69
	75	63	37.0	22.8	2.16	35.6	22.6	2.40	34.1	22.8	2.65	32.4	22.3	2.94	30.53	20.35	3.27	28.47	21.93	3.64
1100	80	62	37.7	30.8	2.16	36.3	31.5	2.40	34.7	30.8	2.66	33.0	30.4	2.94	31.21	30.02	3.27	29.37	29.12	3.64
	80	67	40.7	25.1	2.19	39.2	25.9	2.42	37.5	25.2	2.68	35.6	25.0	2.97	33.52	24.93	3.29	31.24	24.83	3.66
	80	72	44.3	19.1	2.22	42.7	20.0	2.44	40.8	19.5	2.71	38.7	19.3	3.00	36.37	19.39	3.32	33.83	19.40	3.69
	75	63	38.1	24.5	2.17	36.6	25.2	2.40	35.0	24.5	2.66	33.2	24.2	2.95	31.29	24.09	3.27	29.14	23.91	3.64
1250	80	62	38.7	33.6	2.17	37.2	33.8	2.41	35.7	32.9	2.67	34.0	32.3	2.95	32.32	31.23	3.28	30.42	30.29	3.65
	80	67	41.6	27.3	2.19	40.0	27.7	2.43	38.2	27.1	2.69	36.3	27.0	2.97	34.15	26.74	3.30	31.80	26.76	3.67
	80	72	45.1	20.8	2.22	43.4	21.2	2.45	41.4	20.7	2.72	39.2	20.7	3.01	36.88	20.53	3.33	34.36	20.68	3.70
	75	63	38.9	26.6	2.17	37.4	26.9	2.41	35.7	26.2	2.67	33.9	26.1	2.95	31.89	25.77	3.28	29.68	25.71	3.65

# PACKAGE GAS/ELECTRIC (CONTINUED)

## PPG2GFX48K

O.D.T			65°F			75°F			85°F			95°F			105°F			115°F		
CFM	E.D.B.	E.W.B.	T.C.	S.C.	K.W.	T.C.	S.C.	K.W.	T.C.	S.C.	K.W.	T.C.	S.C.	K.W.	T.C.	S.C.	K.W.	T.C.	S.C.	K.W.
1350	80	62	48.9	39.6	3.06	47.1	39.4	3.32	45.1	39.7	3.62	42.9	39.0	3.93	40.50	39.82	4.29	38.15	37.50	4.70
	80	67	53.4	32.2	3.09	51.5	32.1	3.36	49.3	32.5	3.65	46.9	31.9	3.97	44.13	31.43	4.32	41.09	29.46	4.73
	80	72	58.3	24.6	3.15	56.3	24.6	3.41	53.9	25.1	3.70	51.3	24.6	4.02	48.31	24.22	4.37	45.01	24.70	4.77
	75	63	49.6	31.4	3.07	47.8	31.2	3.33	45.7	31.5	3.63	43.4	30.9	3.94	40.88	28.22	4.30	38.02	30.50	4.70
1500	80	62	50.1	42.5	3.07	48.3	43.3	3.33	46.3	42.5	3.62	44.1	41.7	3.94	41.95	40.54	4.30	39.51	39.18	4.72
	80	67	54.5	34.3	3.11	52.5	35.4	3.37	50.3	34.6	3.66	47.7	34.3	3.98	44.93	34.26	4.33	41.80	34.17	4.74
	80	72	59.4	25.9	3.16	57.3	27.2	3.42	54.9	26.4	3.71	52.1	26.2	4.03	49.10	26.34	4.38	45.71	26.36	4.78
	75	63	50.7	33.3	3.08	48.8	34.3	3.34	46.7	33.5	3.63	44.3	33.1	3.95	41.64	32.98	4.30	38.70	32.78	4.71
1650	80	62	51.3	45.7	3.08	49.5	45.9	3.34	47.6	44.4	3.64	45.5	43.2	3.96	43.27	41.80	4.32	40.71	40.54	4.73
	80	67	55.4	36.9	3.12	53.4	37.4	3.38	51.1	36.6	3.67	48.5	36.6	3.99	45.61	36.32	4.34	42.41	36.41	4.74
	80	72	60.3	27.7	3.17	58.2	28.4	3.43	55.7	27.6	3.72	52.9	27.7	4.03	49.76	27.58	4.39	46.29	27.84	4.79
	75	63	51.6	35.8	3.09	49.6	36.2	3.35	47.4	35.4	3.64	45.0	35.2	3.95	42.29	34.91	4.31	39.29	34.87	4.72

## PPG2GFX60K

ODT			65°F			75°F			85°F			95°F			105°F			115°F		
CFM	EDB	EWB	TC	SC	KW	TC	SC	KW	TC	SC	KW	TC	SC	KW	TC	SC	KW	TC	SC	KW
1450	80	62	58.70	49.34	3.53	56.43	48.22	3.81	53.83	46.95	4.12	51.34	45.50	4.50	48.72	44.49	4.93	45.99	43.12	5.41
	80	67	63.88	41.92	3.62	61.30	40.80	3.88	58.56	39.66	4.20	55.61	38.44	4.57	52.55	37.19	5.00	49.29	35.81	5.47
	80	72	69.73	34.45	3.71	66.86	33.35	3.98	63.77	32.20	4.30	60.88	31.09	4.65	57.44	29.82	5.08	54.10	28.55	5.55
	75	63	59.30	40.57	3.55	56.96	39.47	3.81	54.48	38.33	4.14	51.78	37.12	4.50	48.97	35.84	4.93	45.97	34.44	5.41
1600	80	62	60.08	52.14	3.55	57.71	50.99	3.84	55.12	49.70	4.13	52.42	48.43	4.52	49.65	47.07	4.94	46.70	45.57	5.42
	80	67	65.11	44.01	3.63	62.34	42.81	3.90	59.52	41.68	4.22	56.67	40.47	4.57	53.74	39.41	4.98	50.78	38.25	5.43
	80	72	71.06	35.78	3.74	68.07	34.66	4.00	64.99	33.52	4.31	61.76	32.34	4.67	58.35	31.10	5.10	54.84	29.78	5.57
	75	63	60.70	42.59	3.56	58.82	41.73	3.84	55.48	40.21	4.15	52.78	38.96	4.52	49.95	37.84	4.95	46.65	36.36	5.42
1750	80	62	61.21	54.83	3.57	58.75	53.63	3.85	56.12	52.36	4.16	53.47	51.04	4.53	50.77	49.40	4.96	47.97	46.17	5.44
	80	67	66.10	46.01	3.65	63.21	44.66	4.41	60.48	43.62	4.23	57.61	42.60	4.59	54.28	41.20	5.02	51.25	40.17	5.47
	80	72	71.93	36.92	3.86	69.02	35.87	4.06	65.93	34.77	4.34	62.66	33.61	4.68	59.21	32.38	5.09	55.58	31.05	5.57
	75	63	61.67	44.41	3.58	59.15	43.26	3.85	56.60	42.09	4.16	53.82	41.00	4.52	50.79	39.64	4.97	47.65	38.27	5.45



**MAYTAG**

Before purchasing this appliance, read important energy cost and efficiency information available from your retailer. Specifications and illustrations subject to change without notice and without incurring obligations.

Manufactured under license by NORDYNE, O'Fallon, MO. ©Registered Trademark/™ Trademark of Maytag Corporation or its related companies. ©2011. All rights reserved.

660D-0111

Printed in U.S.A. (01/11)