

Downflow, Upflow Electric Furnace (for Downflow Platinum Applications Only)

Installation Instructions Addendum

E2 Series, Alternate Plenum Installation

GENERAL

E2 Series electric furnaces may be installed using a 14" round plenum connector as shown in this addendum.

INSTRUCTIONS

Follow instructions outlined in the E2 Installation Instructions with these exceptions:

1. Disregard the refrigerant line opening (see Figure 1 of this addendum).
2. The 14" round plenum is designed to connect directly to 14" flex-duct. Ignore references to conventional supply ductwork and connection using tabs in the E2 Installation Instructions. Connection to 14" round supply duct is made at time of home set-up.
3. Disregard figures 7 and 8 of the E2 Installation Instructions. Refer to figures 2 and 3 of this addendum for installation details of the 14" round plenum.

NOTE: Flex duct used must have a minimum temperature rating of 200° F and meet all other applicable codes and standards.

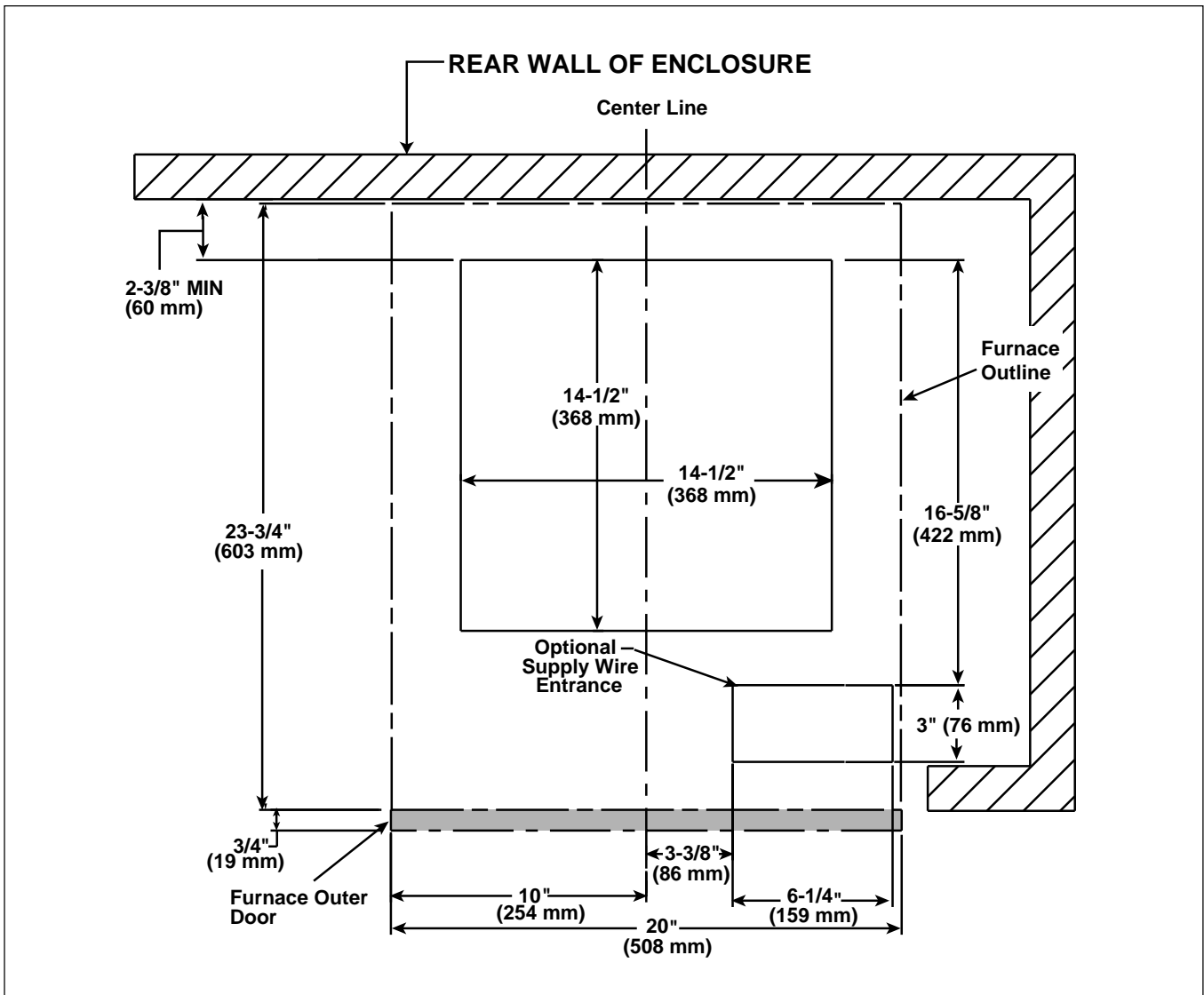


Figure 1. Downflow Floor Cutout Locations (nominal dimensions)

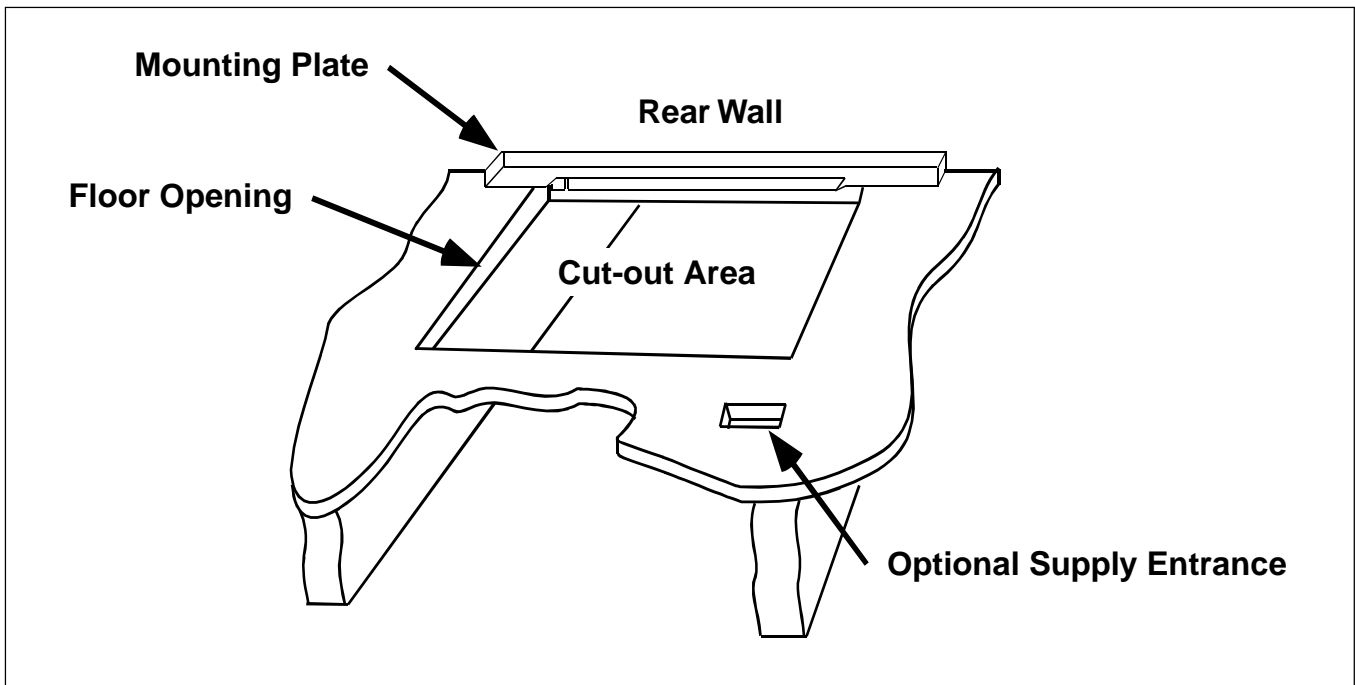


Figure 2. Rear Mounting Plate

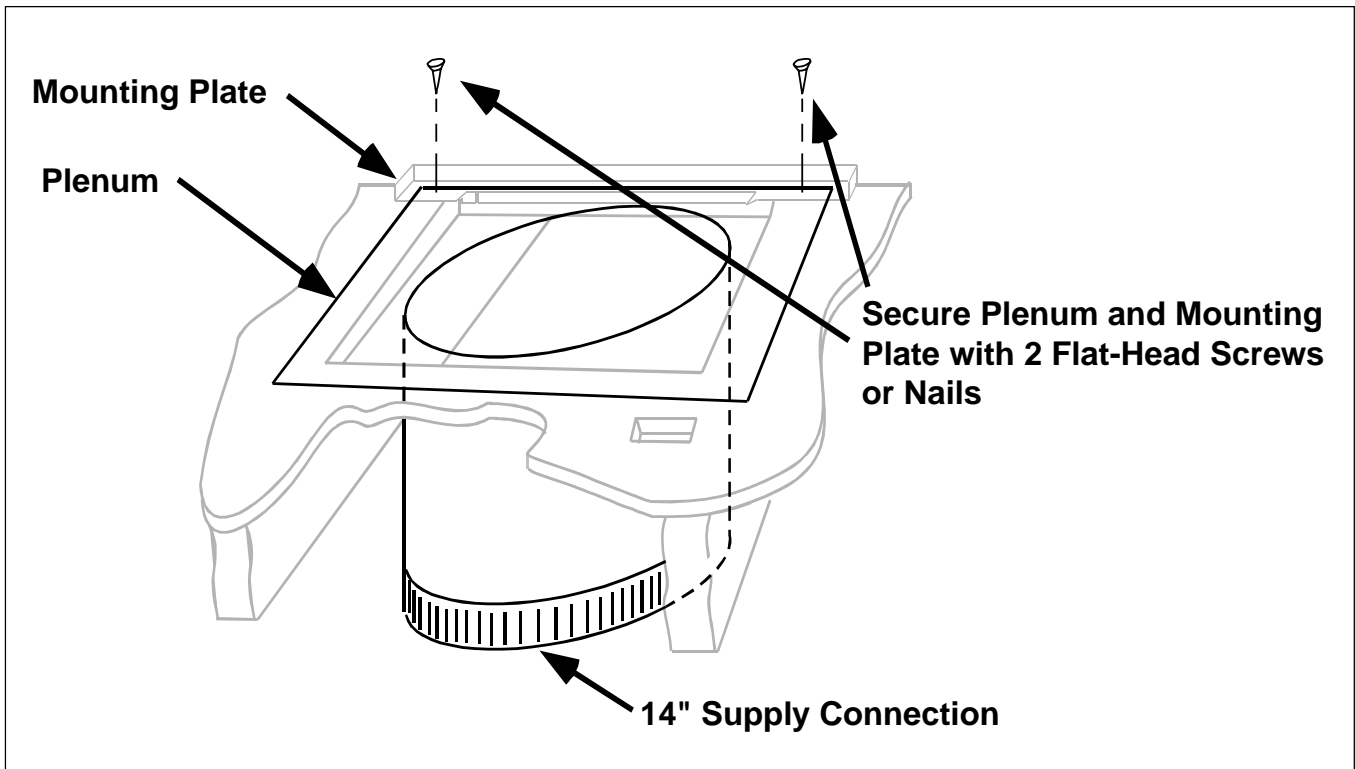


Figure 3. Plenum Connector

