

REPLACEMENT PARTS LIST

K & F Series Single Stage Condensing & Non-Condensing Furnaces

NON-CONDENSING GAS FURNACES

80+ AFUE



***G7SA Upflow / Horizontal
Furnaces**



***G7SK Downflow
Furnaces**

CONDENSING GAS FURNACES

92.1% AFUE



***G7SC Upflow / Horizontal
Furnaces**



***G7SL Downflow
Furnaces**

95% AFUE



***G7SD Upflow /
Horizontal Furnaces**



***G7SM Downflow
Furnaces**

80+ AFUE

*G7SA Replacement Parts List - Upflow / Horizontal	2
*G7SK Replacement Parts List - Downflow	3
*G7SA-1 Replacement Parts List - Upflow / Horizontal	4
*G7SK-1 Replacement Parts List - Downflow	5
*G7SA / *G7SA-1 Component Location - Upflow / Horizontal	6
*G7SK / *G7SK-1 80+ Component Location - Downflow	7

92.1% & 95.0% AFUE

*G7SC Replacement Parts List - Upflow / Horizontal	8
*G7SL Replacement Parts List - Downflow	9
*G7SD Replacement Parts List - Upflow / Horizontal	10
*G7SM Replacement Parts List - Downflow	11
*G7SC-1 Replacement Parts List - Upflow / Horizontal	12
*G7SL-1 Replacement Parts List - Downflow	13
*G7SD-1 Replacement Parts List - Upflow / Horizontal	14
*G7SM-1 Replacement Parts List - Downflow	15
*G7SC / *G7SC-1 & *G7SD / *G7SD-1 Component Location - Upflow / Horizontal	16
*G7SL / *G7SL-1 & *G7SM / *G7SM-1 Component Location - Downflow	17

***G7SA REPLACEMENT PARTS LIST - UPFLOW / HORIZONTAL
80+ AFUE**

ITEM	DESCRIPTION	045-23A	054-23A	072-24B	090-24B	072-35C	090-35C	108-35C	126-45D
1	Door Set	904767	904767	904768	904768	904769	904769	904769	904770
2	Top Panel	295911R	295911R	295912R	295912R	295913R	295913R	295913R	295914R
3	Collector Pan with gasket	904805	904812	904806	904807	904808	904809	904810	904811
4	Inducer Motor	904796	904796	904796	904796	904796	904796	904796	904796
5	Inducer Gasket (Not Shown)	689988	689988	689988	689988	689988	689988	689988	689988
6	Transformer	622341	622341	622341	622341	622341	622341	622341	622341
7	Control Board	920915	920915	920915	920915	920915	920915	920915	920915
8	Fuse	632261	632261	632261	632261	632261	632261	632261	632261
9	Pressure Switch	632499	632489	632489	632489	632489	632489	632488	632520
10	Heat Exchanger	904779	904779	904780	904781	904782	904783	904868	904785
11	Main Air Limit	626614	626614	626612	626613	626615	626613	626612	626598
12	Burner Assembly	904819	904820	904822	904824	904822	904824	904826	904828
13	Ignitor Assembly - Nitride	921074	921074	921074	921074	921074	921074	921074	921074
14	Igniter Bracket (Not Shown)	299261	299261	299261	299261	299261	299261	299261	299261
15	Inshot Burner	661134	661134	661134	661134	661134	661134	661134	661134
16	Manifold, Burner Tube	664228	664228	664229	664230	664229	664230	664231	664232
17	Orifice, Main Burner, Nat. Gas	661049	661047	661047	661047	661047	661047	661047	661047
18	Flame Sensor	632484	632484	632484	632484	632484	632484	632484	632484
19	Gas Valve	624775	624775	624775	624775	624775	624775	624775	624775
20	Roll-Out Switch	626610	626610	626610	626610	626610	626609	626610	626610
21	Door Switch	632125	632125	632125	632125	632125	632125	632125	632125
22	Blower Assembly	904681	904681	904682	904682	904683	904683	904684	904684
23	Blower Housing Assembly	297200R	297200R	297207R	297207R	297204R	297204R	297209R	297209R
24	Capacitor	622599	622599	622545	622545	622549	622549	622549	622549
25	Motor, Blower	904857	904857	904858	904858	904859	904859	904860	904860
26	Wheel, Blower	667251	667251	667258	667258	667207	667207	667280	667280
27	Blower Limit	626611	626611	626611	626611	626611	626611	626611	626611
28	Repl. Motor Mount Kit	N/A	N/A	904951	904951	904980	904980	904951	904951
29	Hose, High Temp (Not Shown)	263967	263967	263967	263967	263967	263967	263967	263967
30	Set of Wires (Not Shown)	M0036001	M0036001	M0036001	M0036001	M0036005	M0036005	M0036005	M0036005

Please specify the correct Model No., Serial No, and part number(s) when ordering parts from the nearest authorized dealer or service center.

FOR COMPONENT LOCATIONS, SEE PAGE 6.

***G7SK REPLACEMENT PARTS LIST - DOWNFLOW
80+ AFUE**

ITEM	DESCRIPTION	054-23A	072-24B	090-24B	108-35C	126-45D
1	Door Set	904767	904768	904768	904769	904770
2	Top Panel	295911R	295912R	295912R	295913R	295914R
3	Collector Pan With Gasket	904901	904806	904921	904902	904811
4	Inducer Motor	904796	904796	904796	904796	904796
5	Inducer Gasket (Not Shown)	689988	689988	689988	689988	689988
6	Combustion Tube	299291	299291	299291	299291	299291
7	Transformer	622341	622341	622341	622341	622341
8	Control Board	920915	920915	920915	920915	920915
9	Fuse	632261	632261	632261	632261	632261
10	Pressure Switch	632488	632489	632489	632488	632488
11	Heat Exchanger	904779	904780	904781	904868	904785
12	Main Air Limit	626601	626601	626617	626616	626617
13	Burner Assembly	904820	904822	904824	904826	904828
14	Ignitor Assembly - Nitride	921074	921074	921074	921074	921074
15	Igniter Bracket (Not Shown)	299261	299261	299261	299261	299261
16	Inshot Burner	661134	661134	661134	661134	661134
17	Manifold, Burner Tube	664228	664229	664230	664231	664232
18	Orifice, Main Burner, Natural Gas	661047	661047	661047	661047	661047
19	Flame Sensor	632484	632484	632484	632484	632484
20	Gas Valve	624775	624775	624775	624775	624775
21	Roll-out Switch	626610	626610	626610	626609	626609
22	Door Switch	632125	632125	632125	632125	632125
23	Blower Assembly	904681	904682	904682	904684	904684
24	Blower Housing Assembly	297200R	297207R	297207R	297209R	294209R
25	Capacitor	622599	626545	626545	622549	622549
26	Motor, Blower	904857	904858	904858	904860	904860
27	Wheel, Blower	667251	667258	667258	667280	667280
28	Blower Limit	626611	626611	626611	626611	626611
29	Repl. Motor Mount Kit	N/A	904951	904951	904951	904951
30	Hose, High Temperature (Not Shown)	263967	263967	263967	263967	263967
31	Set of Wires (Not Shown)	M0036035	M0036038	M0036038	M0036030	M0036030

Please specify the correct Model No., Serial No, and part number(s) when ordering parts from the nearest authorized dealer or service center.

FOR COMPONENT LOCATIONS, SEE PAGE 7.

***G7SA-1 REPLACEMENT PARTS LIST - UPFLOW / HORIZONTAL
80+ AFUE**

ITEM	DESCRIPTION	045-23A1	054-23A1	072-24B1	090-24B1	072-35C1	090-35C1	108-35C1	126-45D1
1	Door Set	904767	904767	904768	904768	904769	904769	904769	904770
2	Top Panel	295911R	295911R	295912R	295912R	295913R	295913R	295913R	295914R
3	Collector Pan with gasket	904805	904901	904998	904807	905016	904809	904810	905018
4	Inducer Motor	904999	904999	904999	904999	904999	904999	904999	904999
5	Inducer Gasket (Not Shown)	689988	689988	689988	689988	689988	689988	689988	689988
6	Transformer	622341	622341	622341	622341	622341	622341	622341	622341
7	Control Board	920915	920915	920915	920915	920915	920915	920915	920915
8	Fuse	632261	632261	632261	632261	632261	632261	632261	632261
9	Pressure Switch	632489	632489	632489	632489	632489	632488	632636	632520
10	Heat Exchanger	904779	904779	904780	904781	904782	904783	904868	904785
11	Main Air Limit	626614	626601	626612	626613	626616	626614	626614	626598
12	Burner Assembly	904819	904820	904822	904824	904822	904824	904826	904828
13	Ignitor Assembly - Nitride	921074	921074	921074	921074	921074	921074	921074	921074
14	Igniter Bracket (Not Shown)	299261	299261	299261	299261	299261	299261	299261	299261
15	Inshot Burner	661134	661134	661134	661134	661134	661134	661134	661134
16	Manifold, Burner Tube	664228	664228	664229	664230	664229	664230	664231	664232
17	Orifice, Main Burner, Nat. Gas	661049	661047	661047	661047	661047	661047	661047	661047
18	Flame Sensor	632484	632484	632484	632484	632484	632484	632484	632484
19	Gas Valve	624775	624775	624775	624775	624775	624775	624775	624775
20	Roll-Out Switch	626610	626610	626610	626610	626610	626609	626610	626610
21	Door Switch	632125	632125	632125	632125	632125	632125	632125	632125
22	Blower Assembly	904681	904681	904682	904682	904683	904683	904684	904684
23	Blower Housing Assembly	297200R	297200R	297207R	297207R	297204R	297204R	297209R	297209R
24	Capacitor	622545	622545	622545	622545	622549	622549	622549	622549
25	Motor, Blower	904857	904857	904858	904858	904859	904859	904860	904860
26	Wheel, Blower	667251	667251	667258	667258	667207	667207	667280	667280
27	Blower Limit	626611	626611	626611	626611	626611	626611	626611	626611
28	Repl. Motor Mount Kit	N/A	N/A	904951	904951	904980	904980	904951	904951
29	Hose, High Temp (Not Shown)	263967	263967	263967	263967	263967	263967	263967	263967
30	Set of Wires (Not Shown)	M0036001	M0036001	M0036001	M0036001	M0036005	M0036005	M0036005	M0036005

Please specify the correct Model No., Serial No, and part number(s) when ordering parts from the nearest authorized dealer or service center.

FOR COMPONENT LOCATIONS, SEE PAGE 6.

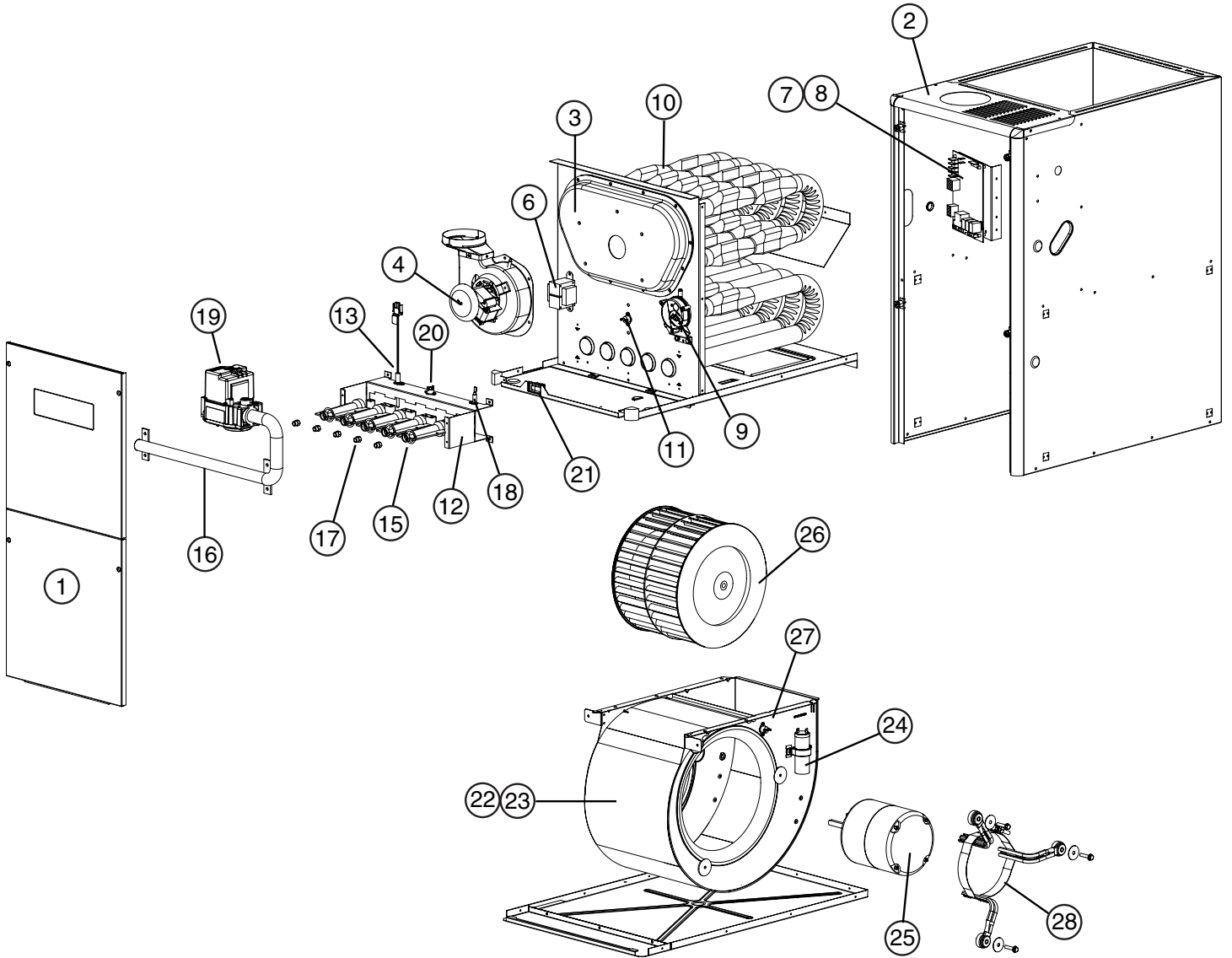
***G7SK-1 REPLACEMENT PARTS LIST - DOWNFLOW
80+ AFUE**

ITEM	DESCRIPTION	054-23A1	072-24B1	090-24B1	108-35C1	126-45D1
1	Door Set	904767	904768	904768	904769	904770
2	Top Panel	295911R	295912R	295912R	295913R	295914R
3	Collector Pan With Gasket	904901	904806	904806	905017	05019
4	Inducer Motor	904999	904999	904999	904999	904999
5	Inducer Gasket (Not Shown)	689988	689988	689988	689988	689988
6	Combustion Tube	299291	299291	299291	299291	299291
7	Transformer	622341	622341	622341	622341	622341
8	Control Board	920915	920915	920915	920915	920915
9	Fuse	632261	632261	632261	632261	632261
10	Pressure Switch	632488	632489	632489	632488	632488
11	Heat Exchanger	904779	904780	904781	904868	904785
12	Main Air Limit	626601	626601	626617	626617	626601
13	Burner Assembly	904820	904822	904824	904826	904828
14	Ignitor Assembly - Nitride	921074	921074	921074	921074	921074
15	Igniter Bracket (Not Shown)	299261	299261	299261	299261	299261
16	Inshot Burner	661134	661134	661134	661134	661134
17	Manifold, Burner Tube	664228	664229	664230	664231	664232
18	Orifice, Main Burner, Natural Gas	661047	661047	661047	661047	661047
19	Flame Sensor	632484	632484	632484	632484	632484
20	Gas Valve	624775	624775	624775	624775	624775
21	Roll-out Switch	626610	626610	626610	626609	626609
22	Door Switch	632125	632125	632125	632125	632125
23	Blower Assembly	904681	904682	904682	904684	904684
24	Blower Housing Assembly	297200R	297207R	297207R	297209R	294209R
25	Capacitor	622545	626545	626545	622549	622549
26	Motor, Blower	904857	904858	904858	904860	904860
27	Wheel, Blower	667251	667258	667258	667280	667280
28	Blower Limit	626611	626611	626611	626611	626611
29	Repl. Motor Mount Kit	N/A	904951	904951	904951	904951
30	Hose, High Temperature (Not Shown)	263967	263967	263967	263967	263967
31	Set of Wires (Not Shown)	M0036035	M0036038	M0036038	M0036030	M0036030

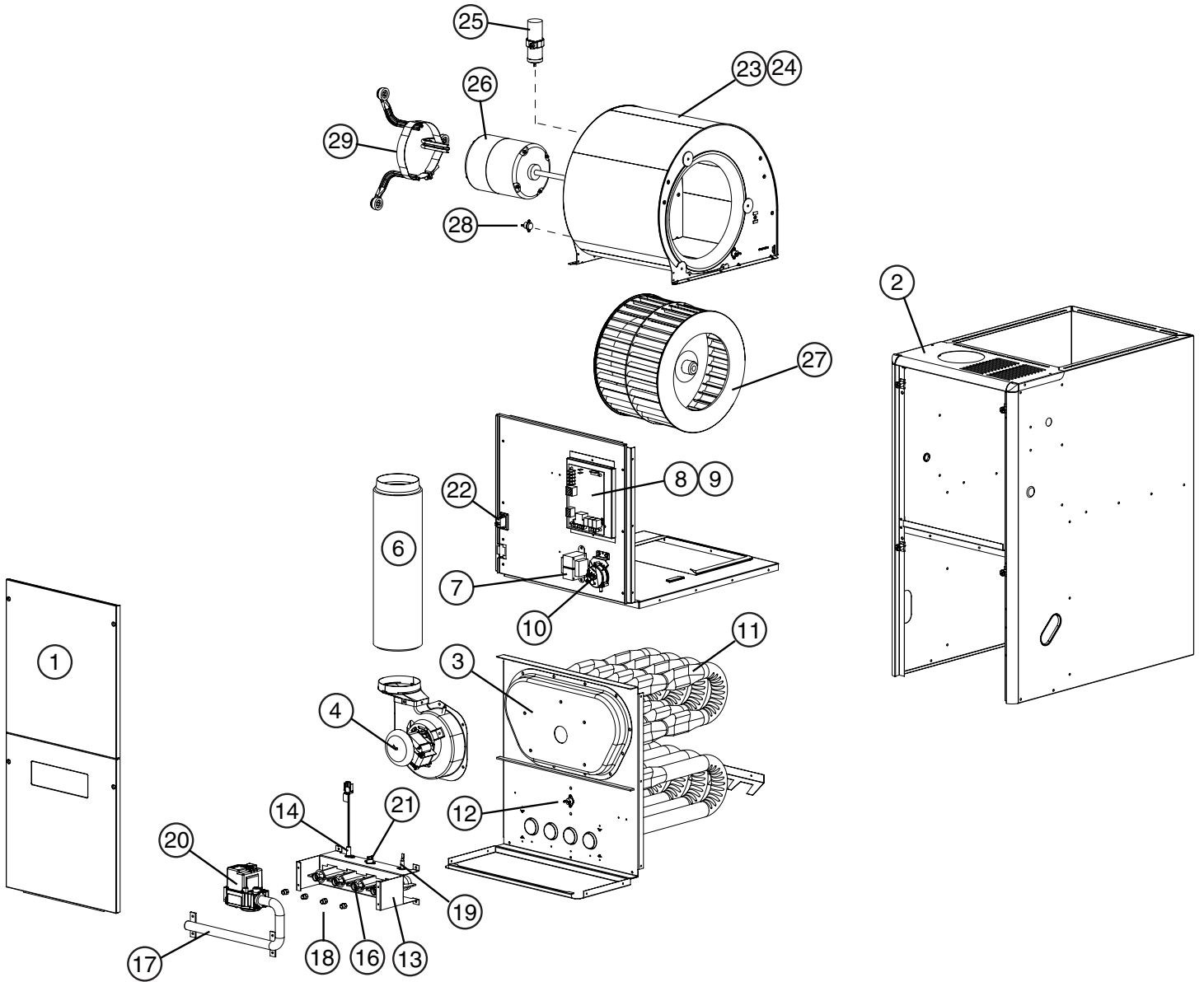
Please specify the correct Model No., Serial No, and part number(s) when ordering parts from the nearest authorized dealer or service center.

FOR COMPONENT LOCATIONS, SEE PAGE 7.

***G7SA / *G7SA-1 COMPONENT LOCATION - UPFLOW / HORIZONTAL**



***G7SK / *G7SK-1 80+ COMPONENT LOCATION - DOWNFLOW**



***G7SC REPLACEMENT PARTS LIST - UPFLOW / HORIZONTAL
92.1% AFUE**

ITEM	DESCRIPTION	038D-23A & 038D-23A-1	054D-24B & 054D-24B-1	072D-24B & 072D-24B-1	072D-35C & 072D-35C-1	090D-35C & 090D-35C-1	108D-45D & 108D-45D-1	120D-45D & 120D-45D-1
1	Door Set	904767	904768	904768	904769	904769	904770	904770
2	Top Panel	2B3551R	2B3552R	2B3552R	2B3553R	2B3553R	2B3554R	2B3554R
3	Burner Assembly	904818	904821	904823	904823	904825	904827	904977
4	Ignitor Assembly - Nitride	921074	921074	921074	921074	921074	921074	921074
5	Igniter Bracket (Not Shown)	299261	299261	299261	299261	299261	299261	299261
6	Inshot Burner	661134	661134	661134	661134	661134	661134	661134
7	Manifold, Burner Tube	664237	664238	664239	664239	664240	664241	664241
8	Orifice, Main Burner, Nat. Gas	661045	661047	661047	661047	661047	661047	661045
9	Flame Sensor	632484	632484	632484	632484	632484	632484	632484
10	Gas Valve	624775	624775	624775	624775	624775	624775	624775
11	Roll-Out Switch	626608	626608	626609	626609	626609	626609	626608
12	Control Board	920915	920915	920915	920915	920915	920915	920915
13	Fuse	632261	632261	632261	632261	632261	632261	632261
14	Heat Exchanger	904786	904869	904788	904870	904871	904791	904791
15	Main Air Limit	626598	626614	626613	626614	626613	626614	626614
16	Inducer Motor (*G7SC models only)	904798	904798	904798	904798	904798	904798	904798
17	Inducer Orifice	669719	669712	669713	669715	669717	Not Used	Not Used
18	Inducer Limit	626606	626606	626606	626606	626606	626606	626606
19	Outlet Header Box	904801	904802	904802	904803	904803	904804	904804
20	Pressure Switch (condensate)	632585	632491	632622	632491	632491	632491	632491
21	Pressure Switch (inducer)		632487	632495	632493	632493	632493	632493
22	Transformer	622341	622341	622341	622341	622341	622341	622341
23	Door Switch	632125	632125	632125	632125	632125	632125	632125
24	Blower Assembly	904681	904682	904682	904683	904684	904684	904684
25	Blower Housing Assembly	297200R	294207R	297207R	297204R	297209R	297209R	297209R
26	Capacitor	622599	622545	622545	622549	622549	622549	622549
27	Motor, Blower	904857	904858	904858	904859	904860	904860	904860
28	Wheel, Blower	667251	667258	667258	667207	667280	667280	667280
29	Blower Limit	626611	626611	626611	626611	626611	626611	626611
30	Repl. Motor Mount Kit	N/A	904951	904951	904980	904951	904951	904951
31	In-Line Drain Assembly	664435	664435	664435	664435	664435	664435	664435
32	Drain Tube, Soft, 23" (Not Shown)	664434	664434	664434	664434	664434	664434	664434
33	Drain Tube, Hard "J"(Not Shown)	663706	663706	663706	663706	663706	663706	663706
34	Drain Tube, Soft, "J" 30"(Not Shown)	663707	663707	663707	663707	663707	663707	663707
35	Tube, Soft, 6.5" (Not Shown)	663727	663727	663727	663727	663727	663727	663727
36	Hose, High Temperature (Not Shown)	263967	263967	263967	263967	263967	263967	263967
37	Set of Wires (Not Shown)	M0036009	M0036003	M0036003	M0036007	M0036007	M0036007	M0036007
38	Finish Flange, Inlet Air	664633	664633	664633	664633	664633	664633	664633

Please specify the correct Model No., Serial No, and part number(s) when ordering parts from the nearest authorized dealer or service center.

*SC models are equipped with FASCO brand inducer motors. *SC-1 models are equipped with Broad Ocean brand inducer motors.

FOR COMPONENT LOCATIONS, SEE PAGE 16.

***G7SL REPLACEMENT PARTS LIST - DOWNFLOW
92.1% AFUE**

ITEM	DESCRIPTION	054D-24B & 054D-24B-1	072D-24B & 072D-24B-1	090D-35C & 090D-35C-1	120D-45D & 120D-45D-1
1	Door Set	904768	904768	904769	904770
2	Top Panel	2B3562R	2B3562R	2B3563R	2B3564R
3	Burner Assembly	904821	904823	904825	904997
4	Ignitor Assembly - Nitride	921074	921074	921074	921074
5	Igniter Bracket (Not Shown)	299261	299261	299261	299261
6	Inshot Burner	661134	661134	661134	661134
7	Manifold, Burner Tube	664238	664239	664240	664241
8	Orifice, Main Burner, Natural Gas	661047	661047	661047	661045
9	Flame Sensor	632484	632484	632484	632484
10	Gas Valve	624775	624775	624775	624775
11	Roll-Out Switch	626609	626610	626610	626610
12	Control Board	920915	920915	920915	920915
13	Fuse	632261	632261	632261	632261
14	Heat Exchanger	904869	904788	904871	904791
15	Main Air Limit	626598	626598	626613	626598
16	Inducer Motor (*G7SL models only)	904798	904798	904798	904798
17	Inducer Orifice	669712	669713	669714	Not Used
18	Inducer Limit	626606	626606	626606	626606
19	Outlet Header Box	904802	904802	904803	904804
20	Pressure Switch (inducer)	632487	632487	632487	632487
21	Transformer	622341	622341	622341	622341
22	Door Switch	632125	632125	632125	632125
23	Blower Assembly	904682	904682	904684	904684
24	Blower Housing Assembly	297207R	297207R	297209R	297209R
25	Capacitor	622545	622545	622549	622549
26	Motor, Blower	904858	904858	904860	904860
27	Wheel, Blower	667258	667258	667280	667280
28	Blower Limit/Blower Deck Limit	626611	626611	626611	626611
29	Repl. Motor Mount Kit	904951	904951	904951	904951
30	In-Line Drain Assembly	664435	664435	664435	664435
31	Drain Tube, Soft, 23" (Not Shown)	664434	664434	664434	664434
32	Drain Tube, Hard "J" (Not Shown)	663706	663706	663706	663706
33	Drain Tube, Soft, "J" 30" (Not Shown)	663707	663707	663707	663707
34	Tube, Soft, 5.5" (Not Shown)	664520	664520	664520	664520
35	Hose, High Temperature (Not Shown)	263967	263967	263967	263967
36	Set of Wires (Not Shown)	M0036004	M0036004	M0036029	M0036029
38	Finish Flange, Inlet Air	664633	664633	664633	664633

Please specify the correct Model No., Serial No., and part number(s) when ordering parts from the nearest authorized dealer or service center.

*SL models are equipped with FASCO brand inducer motors. *SL-1 models are equipped with Broad Ocean brand inducer motors.

[FOR COMPONENT LOCATIONS, SEE PAGE 17.](#)

***G7SD REPLACEMENT PARTS LIST - UPFLOW / HORIZONTAL
95.0 % AFUE**

ITEM	DESCRIPTION	038D-24B & 038D-24B-1	054D-24B & 054D-24B-1	072D-35C & 072D-35C-1	090D-35C & 090D-35C-1	108D-45D & 108D-45D-1	120D-45D & 120D-45D-1
1	Door Set	904768	904768	904769	904769	904770	904770
2	Top Panel	2A9512R	2A9512R	2A9513R	2A9513R	2A9514R	2A9514R
3	Burner Assembly	905020	905021	905022	905023	905024	905025
4	Ignitor Assembly - Nitride	921074	921074	921074	921074	921074	921074
5	Igniter Bracket (Not Shown)	299261	299261	299261	299261	299261	299261
6	Inshot Burner	661128	661128	661128	661128	661128	661128
7	Manifold, Burner Tube	664473	664473	664243	664244	664245	664245
8	Orifice, Main Burner, Nat. Gas	661051	661047	661047	661047	661046	661045
9	Flame Sensor	632484	632484	632484	632484	632484	632484
10	Gas Valve	624775	624775	624775	624775	624775	624775
11	Roll-Out Switch	626609	626610	626610	626610	626610	626610
12	Control Board	920915	920915	920915	920915	920915	920915
13	Fuse	632261	632261	632261	632261	632261	632261
14	Heat Exchanger	904792	904792	904793	904794	904795	904795
15	Main Air Limit	626603	626598	626598	626612	626612	626612
16	Inducer Motor	904798	904798	904798	904798	904798	904798
17	Inducer Orifice	669927	669718	669719	669734	669715	669717
18	Inducer Limit	626606	626606	626606	626606	626606	626606
19	Outlet Header Box	904802	904802	904803	904803	904804	904804
20	Pressure Switch (Condensate)	632674	632493	632493	632624	632445	632622
21	Pressure Switch (Inducer)	632673	632487	632487	632487	632675	632571
22	Transformer	622341	622341	622341	622341	622341	622341
23	Door Switch	632125	632125	632125	632125	632125	632125
24	Blower Assembly	904682	904682	904683	904684	904684	904684
25	Blower Housing Assembly	294207R	294207R	297204R	297209R	297209R	297209R
26	Capacitor	622545	622545	622549	622549	622549	622549
27	Motor, Blower	904858	904858	904859	904860	904860	904860
28	Wheel, Blower	667258	667258	667207	667280	667280	667280
29	Blower Limit	626611	626611	626611	626611	626611	626611
30	Repl. Motor Mount Kit	904951	904951	904980	904951	904951	904951
31	In-Line Drain Assembly	664435	664435	664435	664435	664435	664435
32	Drain Tube, Soft, 23" (Not Shown)	664434	664434	664434	664434	664434	664434
33	Drain Tube, Hard "J"(Not Shown)	663706	663706	663706	663706	663706	663706
34	Drain Tube, Soft, "J" 30"(Not Shown)	663707	663707	663707	663707	663707	663707
35	Tube, Soft, 6.5" (Not Shown)	663727	663727	663727	663727	663727	663727
36	Hose, High Temperature (Not Shown)	263967	263967	263967	263967	263967	263967
37	Set of Wires (Not Shown)	M0036003	M0036003	M0036007	M0036007	M0036007	M0036007
38	Finish Flange, Inlet Air	664633	664633	664633	664633	664633	664633
39	PVC Trap (Not Shown)	664659	664659	664659	664659	664659	664659

Please specify the correct Model No., Serial No, and part number(s) when ordering parts from the nearest authorized dealer or service center.

*SD models are equipped with FASCO brand inducer motors. *SD-1 models are equipped with Broad Ocean brand inducer motors.

[FOR COMPONENT LOCATIONS, SEE PAGE 16.](#)

***G7SM REPLACEMENT PARTS LIST - DOWNFLOW**
95.0% AFUE

ITEM	DESCRIPTION	054D-24B & 054D-24B-1	072D-35C & 072D-35C-1	090D-35C & 090D-35C-1	118D-45D & 118D-45D-1
1	Door Set	904768	904769	904769	904770
2	Top Panel	2B3562R	2B3563R	2B3563R	2B3564R
3	Burner Assembly	905026	905022	905023	905027
4	Ignitor Assembly - Nitride	921074	921074	921074	921074
5	Igniter Bracket (Not Shown)	299261	299261	299261	299261
6	Inshot Burner	661128	661128	661128	661128
7	Manifold, Burner Tube	664611	664243	664244	664245
8	Orifice, Main Burner, Natural Gas	661047	661047	661047	661046
9	Flame Sensor	632484	632484	632484	632484
10	Gas Valve	624775	624775	624775	624775
11	Roll-Out Switch	626610	626610	626610	626610
12	Control Board	920915	920915	920915	920915
13	Fuse	632261	632261	632261	632261
14	Heat Exchanger	904869	904788	904871	904791
15	Main Air Limit	626601	626617	626613	626613
16	Inducer Motor	904798	904798	904798	904798
17	Inducer Orifice	669718	669719	669734	669717
18	Inducer Limit	626606	626606	626606	626606
19	Outlet Header Box	904802	904803	904803	904804
20	Pressure Switch (Inducer)	632487	632487	632487	632571
21	Transformer	622341	622341	622341	622341
22	Door Switch	632125	632125	632125	632125
23	Blower Assembly	904682	904684	904684	904684
24	Blower Housing Assembly	297207R	297209R	297209R	297209R
25	Capacitor	622545	622549	622549	622549
26	Motor, Blower	904858	904860	904860	904860
27	Wheel, Blower	667258	667280	667280	667280
28	Blower Limit/Blower Deck Limit	626611	626611	626611	626611
29	Repl. Motor Mount Kit	904951	904951	904951	904951
30	In-Line Drain Assembly	664435	664435	664435	664435
31	Drain Tube, Soft, 23" (Not Shown)	664434	664434	664434	664434
32	Drain Tube, Hard "J" (Not Shown)	663706	663706	663706	663706
33	Drain Tube, Soft, "J" 30" (Not Shown)	663707	663707	663707	663707
34	Tube, Soft, 5.5" (Not Shown)	664520	664520	664520	664520
35	Hose, High Temperature (Not Shown)	263967	263967	263967	263967
36	Set of Wires (Not Shown)	M0036004	M0036029	M0036029	M0036029
38	Finish Flange, Inlet Air	664633	664633	664633	664633

Please specify the correct Model No., Serial No., and part number(s) when ordering parts from the nearest authorized dealer or service center.

*SM models are equipped with FASCO brand inducer motors. *SM-1 models are equipped with Broad Ocean brand inducer motors.

FOR COMPONENT LOCATIONS, SEE PAGE 17.

***G7SC-1 REPLACEMENT PARTS LIST - UPFLOW / HORIZONTAL
92.1% AFUE**

ITEM	DESCRIPTION	038D-23A & 038D-23A-1	054D-24B & 054D-24B-1	072D-24B & 072D-24B-1	072D-35C & 072D-35C-1	090D-35C & 090D-35C-1	108D-45D & 108D-45D-1	120D-45D & 120D-45D-1
1	Door Set	904767	904768	904768	904769	904769	904770	904770
2	Top Panel	2B3551R	2B3552R	2B3552R	2B3553R	2B3553R	2B3554R	2B3554R
3	Burner Assembly	904818	904821	904823	904823	904825	904827	904977
4	Ignitor Assembly - Nitride	921074	921074	921074	921074	921074	921074	921074
5	Igniter Bracket (Not Shown)	299261	299261	299261	299261	299261	299261	299261
6	Inshot Burner	661134	661134	661134	661134	661134	661134	661134
7	Manifold, Burner Tube	664237	664238	664239	664239	664240	664241	664241
8	Orifice, Main Burner, Nat. Gas	661045	661047	661047	661047	661047	661047	661045
9	Flame Sensor	632484	632484	632484	632484	632484	632484	632484
10	Gas Valve	624775	624775	624775	624775	624775	624775	624775
11	Roll-Out Switch	626608	626608	626609	626609	626609	626609	626608
12	Control Board	920915	920915	920915	920915	920915	920915	920915
13	Fuse	632261	632261	632261	632261	632261	632261	632261
14	Heat Exchanger	904786	904869	904788	904870	904871	904791	904791
15	Main Air Limit	626598	626614	626613	626614	626613	626614	626614
16	Inducer Motor	1003441	1003441	1003441	1003441	1003441	1003441	1003441
17	Inducer Orifice	669719	669712	669713	669715	669717	Not Used	Not Used
18	Inducer Limit	626606	626606	626606	626606	626606	626606	626606
19	Outlet Header Box	904801	904802	904802	904803	904803	904804	904804
20	Pressure Switch (condensate)	632585	632491	632622	632491	632491	632491	632491
21	Pressure Switch (inducer)		632487	632495	632493	632493	632493	632493
22	Transformer	622341	622341	622341	622341	622341	622341	622341
23	Door Switch	632125	632125	632125	632125	632125	632125	632125
24	Blower Assembly	904681	904682	904682	904683	904684	904684	904684
25	Blower Housing Assembly	297200R	294207R	297207R	297204R	297209R	297209R	297209R
26	Capacitor	622599	622545	622545	622549	622549	622549	622549
27	Motor, Blower	904857	904858	904858	904859	904860	904860	904860
28	Wheel, Blower	667251	667258	667258	667207	667280	667280	667280
29	Blower Limit	626611	626611	626611	626611	626611	626611	626611
30	Repl. Motor Mount Kit	N/A	904951	904951	904980	904951	904951	904951
31	In-Line Drain Assembly	664435	664435	664435	664435	664435	664435	664435
32	Drain Tube, Soft, 23" (Not Shown)	664434	664434	664434	664434	664434	664434	664434
33	Drain Tube, Hard "J"(Not Shown)	663706	663706	663706	663706	663706	663706	663706
34	Drain Tube, Soft, "J" 30"(Not Shown)	663707	663707	663707	663707	663707	663707	663707
35	Tube, Soft, 6.5" (Not Shown)	663727	663727	663727	663727	663727	663727	663727
36	Hose, High Temperature (Not Shown)	263967	263967	263967	263967	263967	263967	263967
37	Set of Wires (Not Shown)	M0036009	M0036003	M0036003	M0036007	M0036007	M0036007	M0036007
38	Finish Flange, Inlet Air	664633	664633	664633	664633	664633	664633	664633

Please specify the correct Model No., Serial No, and part number(s) when ordering parts from the nearest authorized dealer or service center.

*SC models are equipped with FASCO brand inducer motors. *SC-1 models are equipped with Broad Ocean brand inducer motors.

FOR COMPONENT LOCATIONS, SEE PAGE 16.

***G7SL-1 REPLACEMENT PARTS LIST - DOWNFLOW
92.1% AFUE**

ITEM	DESCRIPTION	054D-24B & 054D-24B-1	072D-24B & 072D-24B-1	090D-35C & 090D-35C-1	120D-45D & 120D-45D-1
1	Door Set	904768	904768	904769	904770
2	Top Panel	2B3562R	2B3562R	2B3563R	2B3564R
3	Burner Assembly	904821	904823	904825	904997
4	Ignitor Assembly - Nitride	921074	921074	921074	921074
5	Igniter Bracket (Not Shown)	299261	299261	299261	299261
6	Inshot Burner	661134	661134	661134	661134
7	Manifold, Burner Tube	664238	664239	664240	664241
8	Orifice, Main Burner, Natural Gas	661047	661047	661047	661045
9	Flame Sensor	632484	632484	632484	632484
10	Gas Valve	624775	624775	624775	624775
11	Roll-Out Switch	626609	626610	626610	626610
12	Control Board	920915	920915	920915	920915
13	Fuse	632261	632261	632261	632261
14	Heat Exchanger	904869	904788	904871	904791
15	Main Air Limit	626598	626598	626613	626598
16	Inducer Motor	1003441	1003441	1003441	1003441
17	Inducer Orifice	669712	669713	669714	Not Used
18	Inducer Limit	626606	626606	626606	626606
19	Outlet Header Box	904802	904802	904803	904804
20	Pressure Switch (inducer)	632487	632487	632487	632487
21	Transformer	622341	622341	622341	622341
22	Door Switch	632125	632125	632125	632125
23	Blower Assembly	904682	904682	904684	904684
24	Blower Housing Assembly	297207R	297207R	297209R	297209R
25	Capacitor	622545	622545	622549	622549
26	Motor, Blower	904858	904858	904860	904860
27	Wheel, Blower	667258	667258	667280	667280
28	Blower Limit/Blower Deck Limit	626611	626611	626611	626611
29	Repl. Motor Mount Kit	904951	904951	904951	904951
30	In-Line Drain Assembly	664435	664435	664435	664435
31	Drain Tube, Soft, 23" (Not Shown)	664434	664434	664434	664434
32	Drain Tube, Hard "J" (Not Shown)	663706	663706	663706	663706
33	Drain Tube, Soft, "J" 30" (Not Shown)	663707	663707	663707	663707
34	Tube, Soft, 5.5" (Not Shown)	664520	664520	664520	664520
35	Hose, High Temperature (Not Shown)	263967	263967	263967	263967
36	Set of Wires (Not Shown)	M0036004	M0036004	M0036029	M0036029
38	Finish Flange, Inlet Air	664633	664633	664633	664633

Please specify the correct Model No., Serial No., and part number(s) when ordering parts from the nearest authorized dealer or service center.

*SL models are equipped with FASCO brand inducer motors. *SL-1 models are equipped with Broad Ocean brand inducer motors.

[FOR COMPONENT LOCATIONS, SEE PAGE 17.](#)

***G7SD-1 REPLACEMENT PARTS LIST - UPFLOW / HORIZONTAL
95.0 % AFUE**

ITEM	DESCRIPTION	038D-24B & 038D-24B-1	054D-24B & 054D-24B-1	072D-35C & 072D-35C-1	090D-35C & 090D-35C-1	108D-45D & 108D-45D-1	120D-45D & 120D-45D-1
1	Door Set	904768	904768	904769	904769	904770	904770
2	Top Panel	2A9512R	2A9512R	2A9513R	2A9513R	2A9514R	2A9514R
3	Burner Assembly	905020	905021	905022	905023	905024	905025
4	Ignitor Assembly - Nitride	921074	921074	921074	921074	921074	921074
5	Igniter Bracket (Not Shown)	299261	299261	299261	299261	299261	299261
6	Inshot Burner	661128	661128	661128	661128	661128	661128
7	Manifold, Burner Tube	664473	664473	664243	664244	664245	664245
8	Orifice, Main Burner, Nat. Gas	661051	661047	661047	661047	661046	661045
9	Flame Sensor	632484	632484	632484	632484	632484	632484
10	Gas Valve	624775	624775	624775	624775	624775	624775
11	Roll-Out Switch	626609	626610	626610	626610	626610	626610
12	Control Board	920915	920915	920915	920915	920915	920915
13	Fuse	632261	632261	632261	632261	632261	632261
14	Heat Exchanger	904792	904792	904793	904794	904795	904795
15	Main Air Limit	626603	626598	626598	626612	626612	626612
16	Inducer Motor	1003441	1003441	1003441	1003441	1003441	1003441
17	Inducer Orifice	669927	669718	669719	669734	669715	669717
18	Inducer Limit	626606	626606	626606	626606	626606	626606
19	Outlet Header Box	904802	904802	904803	904803	904804	904804
20	Pressure Switch (Condensate)	632674	632493	632493	632624	632445	632622
21	Pressure Switch (Inducer)	632673	632487	632487	632487	632675	632571
22	Transformer	622341	622341	622341	622341	622341	622341
23	Door Switch	632125	632125	632125	632125	632125	632125
24	Blower Assembly	904682	904682	904683	904684	904684	904684
25	Blower Housing Assembly	294207R	294207R	297204R	297209R	297209R	297209R
26	Capacitor	622545	622545	622549	622549	622549	622549
27	Motor, Blower	904858	904858	904859	904860	904860	904860
28	Wheel, Blower	667258	667258	667207	667280	667280	667280
29	Blower Limit	626611	626611	626611	626611	626611	626611
30	Repl. Motor Mount Kit	904951	904951	904980	904951	904951	904951
31	In-Line Drain Assembly	664435	664435	664435	664435	664435	664435
32	Drain Tube, Soft, 23" (Not Shown)	664434	664434	664434	664434	664434	664434
33	Drain Tube, Hard "J"(Not Shown)	663706	663706	663706	663706	663706	663706
34	Drain Tube, Soft, "J" 30"(Not Shown)	663707	663707	663707	663707	663707	663707
35	Tube, Soft, 6.5" (Not Shown)	663727	663727	663727	663727	663727	663727
36	Hose, High Temperature (Not Shown)	263967	263967	263967	263967	263967	263967
37	Set of Wires (Not Shown)	M0036003	M0036003	M0036007	M0036007	M0036007	M0036007
38	Finish Flange, Inlet Air	664633	664633	664633	664633	664633	664633
39	PVC Trap (Not Shown)	664659	664659	664659	664659	664659	664659

Please specify the correct Model No., Serial No, and part number(s) when ordering parts from the nearest authorized dealer or service center.

*SD models are equipped with FASCO brand inducer motors. *SD-1 models are equipped with Broad Ocean brand inducer motors.

[FOR COMPONENT LOCATIONS, SEE PAGE 16.](#)

***G7SM-1 REPLACEMENT PARTS LIST - DOWNFLOW
95.0% AFUE**

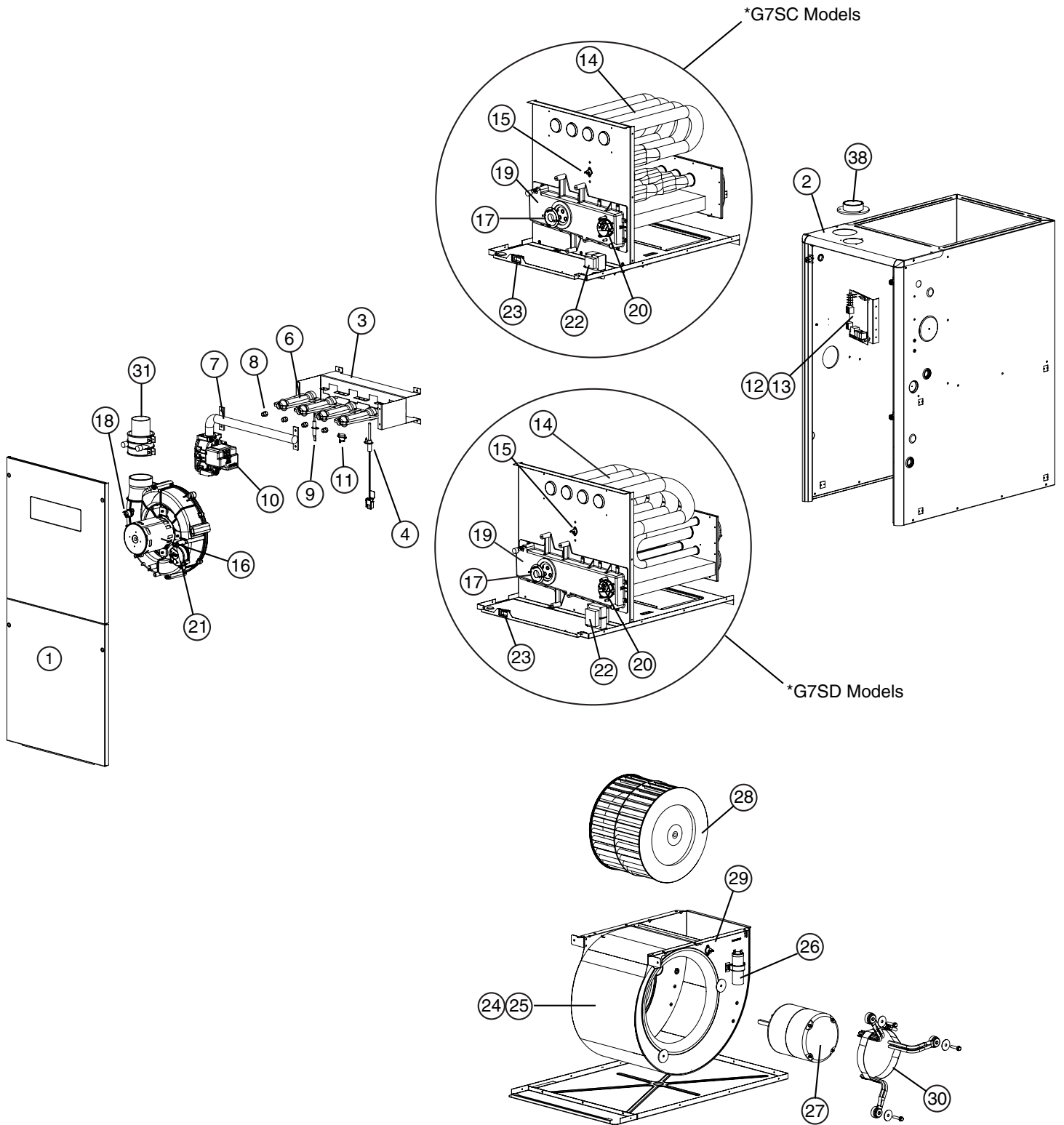
ITEM	DESCRIPTION	054D-24B & 054D-24B-1	072D-35C & 072D-35C-1	090D-35C & 090D-35C-1	118D-45D & 118D-45D-1
1	Door Set	904768	904769	904769	904770
2	Top Panel	2B3562R	2B3563R	2B3563R	2B3564R
3	Burner Assembly	905026	905022	905023	905027
4	Ignitor Assembly - Nitride	921074	921074	921074	921074
5	Igniter Bracket (Not Shown)	299261	299261	299261	299261
6	Inshot Burner	661128	661128	661128	661128
7	Manifold, Burner Tube	664611	664243	664244	664245
8	Orifice, Main Burner, Natural Gas	661047	661047	661047	661046
9	Flame Sensor	632484	632484	632484	632484
10	Gas Valve	624775	624775	624775	624775
11	Roll-Out Switch	626610	626610	626610	626610
12	Control Board	920915	920915	920915	920915
13	Fuse	632261	632261	632261	632261
14	Heat Exchanger	904869	904788	904871	904791
15	Main Air Limit	626601	626617	626613	626613
16	Inducer Motor	1003441	1003441	1003441	1003441
17	Inducer Orifice	669718	669719	669734	669717
18	Inducer Limit	626606	626606	626606	626606
19	Outlet Header Box	904802	904803	904803	904804
20	Pressure Switch (Inducer)	632487	632487	632487	632571
21	Transformer	622341	622341	622341	622341
22	Door Switch	632125	632125	632125	632125
23	Blower Assembly	904682	904684	904684	904684
24	Blower Housing Assembly	297207R	297209R	297209R	297209R
25	Capacitor	622545	622549	622549	622549
26	Motor, Blower	904858	904860	904860	904860
27	Wheel, Blower	667258	667280	667280	667280
28	Blower Limit/Blower Deck Limit	626611	626611	626611	626611
29	Repl. Motor Mount Kit	904951	904951	904951	904951
30	In-Line Drain Assembly	664435	664435	664435	664435
31	Drain Tube, Soft, 23" (Not Shown)	664434	664434	664434	664434
32	Drain Tube, Hard "J" (Not Shown)	663706	663706	663706	663706
33	Drain Tube, Soft, "J" 30" (Not Shown)	663707	663707	663707	663707
34	Tube, Soft, 5.5" (Not Shown)	664520	664520	664520	664520
35	Hose, High Temperature (Not Shown)	263967	263967	263967	263967
36	Set of Wires (Not Shown)	M0036004	M0036029	M0036029	M0036029
38	Finish Flange, Inlet Air	664633	664633	664633	664633

Please specify the correct Model No., Serial No, and part number(s) when ordering parts from the nearest authorized dealer or service center.

*SM models are equipped with FASCO brand inducer motors. *SM-1 models are equipped with Broad Ocean brand inducer motors.

FOR COMPONENT LOCATIONS, SEE PAGE 17.

***G7SC / *G7SC-1 & *G7SD / *G7SD-1 COMPONENT LOCATION - UPFLOW / HORIZONTAL**



***G7SL / *G7SL-1 & *G7SM / *G7SM-1 COMPONENT LOCATION - DOWNFLOW**

