

QUICK REFERENCE DATA

*S4BD Series Residential Split System Air Conditioner

MODEL NUMBER: *S4BD-		018KB	024KB	030KB	036KB	042KB	048KB	060KB	
Electrical Data	Volts-Cycles Phase (1)	208 / 230 - 60 - 1							
	Total Amps	9.3	13.5	14.8	18.0	19.4	23.2	27.8	
	Delay Fuse Max. (2)	20	25	30	35	40	50	60	
	Min. Circuit Ampacity	11.6	16.7	18.3	22.2	23.9	28.7	34.4	
Component Data	Coil	Area	8.3	8.3	10.0	10.0	15.3	15.3	17.9
		Rows-FPI	1-18						
		Tube Dia.	Micro-Channel						
	Fan Motor	Type	PSC						
		Amps	0.35	0.7	0.7	1.4	1.5	1.5	1.5
		HP	0.05	0.1	0.1	0.25	0.25	0.25	0.25
	Compressor Data	RLA	9.0	12.8	14.1	16.6	17.9	21.8	26.4
LRA		48.0	58.3	73.0	79.0	112.0	117.0	134.0	
REFRIGERANT SUCTION LINE O.D		0 - 24 ft.	3/4"	3/4"	3/4"	3/4"	7/8"	7/8"	7/8"
NOTE: Liquid line is 3/8" O.D. for entire length.		25 - 39 ft.	3/4"	3/4"	3/4"	7/8" (3)	7/8"	7/8"	1-1/8" (4)
		40 - 75 ft.	3/4"	3/4"	3/4"	7/8" (3)	7/8"	7/8"	1-1/8" (4)
REFRIGERANT CHARGE			40.4	41.0	40.0	41.0	59.0	60.0	69.6
R-410A in ounces for outdoor unit & 15' Lineset. (5)									
APPROXIMATE WEIGHT (LBS.)	Net	109	125	138	140	179	179	188	
	Ship	114	130	144	146	187	187	197	

- (1) Operating Voltage Range: 187v min. — 253v max.
- (2) HACR Type Circuit Breakers may be used.
- (3) Requires 7/8" to 3/4" reducer from line to unit.
- (4) Requires 7/8" to 1-1/8" reducer from line to unit.
- (5) Additional charge for line sets above 15 feet. Values based on suction line as follows with 3/8" liquid line.
 - (a) 3/4" = 0.6 oz. per additional foot.
 - (b) 7/8" = 0.7 oz. per additional foot.
 - (c) 1 1/8" = 0.8 oz. per additional foot.

Table 1. Electrical Specifications & Physical Data

Thermostat Wire Gauge	Recommended T-Stat Wire Unit to T-Stat (Length in FT)	
	2-Wire (Heating)	5-Wire (Heating/Cooling)
24	55	25
22	90	45
20	140	70
18	225	110

Table 2. Thermostat Wire Gauge

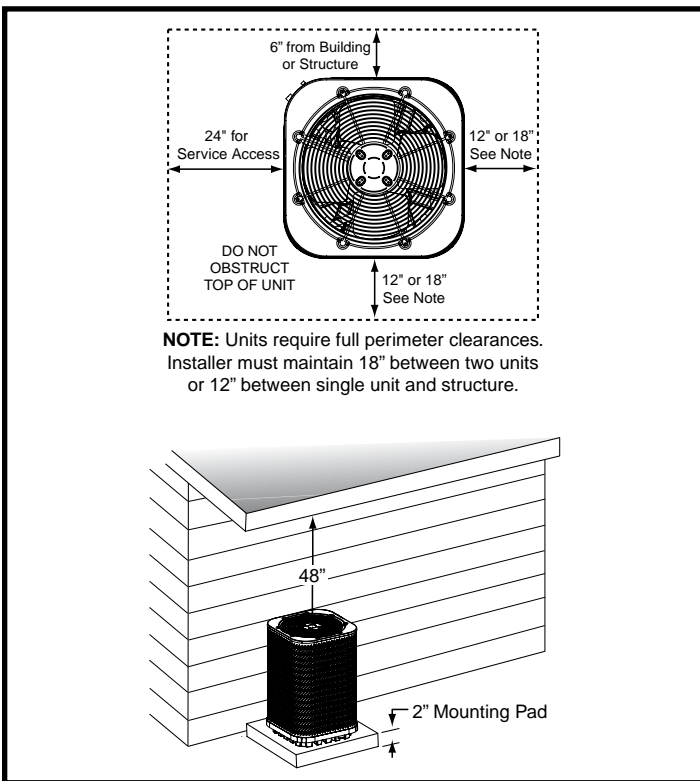
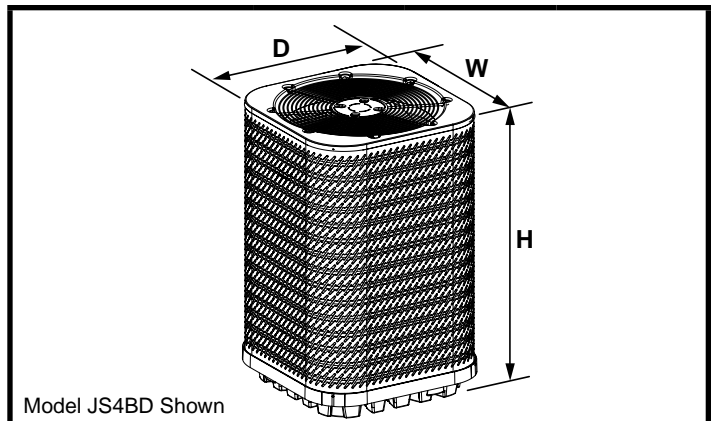


Figure 1. Clearance Requirements



MODEL NUMBER	HEIGHT (H)	WIDTH (W)	DEPTH (D)
*S4BD-018KB	23 1/2"	22 3/4"	22 3/4"
*S4BD-024KB	23 1/2"	22 3/4"	22 3/4"
*S4BD-030KB	27 1/2"	22 3/4"	22 3/4"
*S4BD-036KB	27 1/2"	22 3/4"	22 3/4"
*S4BD-042KB	27 1/2"	30 3/4"	30 3/4"
*S4BD-048KB	27 1/2"	30 3/4"	30 3/4"
*S4BD-060KB	31 1/2"	30 3/4"	30 3/4"

Table 3. Unit Dimensions

Instructions:

1. Find the column for the model of outdoor unit that is being installed.
2. Find the row for the model of the indoor unit that is being installed.
3. Find the cell in the table in which this row and column meet. In this cell the appropriate orifice / TXV and charge addition for this match are listed. If the text in this cell is BOLD, then a change of orifice is necessary.
4. If a change in restrictor is necessary, then the appropriate restrictor will already be supplied with the outdoor unit.

Examples:

- For the *S4BD-030KB / B4VM-X30K-B match, the appropriate TXV is the 669565 and 36 ounces of charge will need to be added. (CHANGE IN CHARGE)
- For the *S4BD-024KB / B6EMMX24K-B match, the appropriate TXV is the 669564 and no additional charge needs to be added. (NO CHANGES ARE NECESSARY)

Model Number: *S4BD-		018KB	024KB	030KB	036KB	042KB	048KB	060KB
ID Restrictor Supplied With OD Unit:		0.048	0.056	0.060, 0.061	0.065, 0.067	0.071, 0.072	0.076, 0.077	//// 0.087 ////
Outdoor Unit BOM Charge (Oz.)		40.4	41	40	41	59	60	//// 69.6 ////
MODELS	SUPPLIED WITH ID	REQUIRED RESTRICTOR OR TXV / CHARGE ADDITION (OZ)						
B4VM								
B4VM-X24K-A	669564	669564 / 30	669564 / 29	--	--	--	--	--
B4VM-X24K-B	669564	669564 / 30	669564 / 29	--	--	--	--	--
B4VM-X30K-A	669565	--	--	669565 / 36	--	--	--	--
B4VM-X30K-B	669565	--	--	669565 / 36	--	--	--	--
B4VM-X36K-B	669566	--	--	--	669566 / 31	--	--	--
B4VM-X48K-B	669568	--	--	--	--	669568 / 34	--	--
B4VM-X48K-C	669568	--	--	--	--	669568 / 34	669568 / 36	--
B4VM-X60K-C	669578	--	--	--	--	--	--	669578 / 36
GB5BM-0								
GB5BM-024K-A	0.055	0.048 / 30	0.055 / 29	--	--	--	--	--
GB5BM-024K-B	0.055	0.048 / 30	0.055 / 29	--	--	--	--	--
GB5BM-030K-A	0.065	--	--	0.065 / 36	--	--	--	--
GB5BM-030K-B	0.065	--	--	0.065 / 36	--	--	--	--
GB5BM-036K-B	0.073	--	--	--	0.073 / 31	--	--	--
GB5BM-042K-B	0.077	--	--	--	--	0.077 / 34	--	--
GB5BM-048K-C	0.080	--	--	--	--	--	0.080 / 36	--
GB5BM-060K-C	0.089	--	--	--	--	--	--	0.089 / 36
GB5BMM								
GB5BMM024K-A	0.055	0.048 / 0	0.055 / 3	--	--	--	--	--
GB5BMM024K-B	0.055	0.048 / 0	0.055 / 3	--	--	--	--	--
GB5BMM030K-A	0.062	--	--	0.060 / 8	--	--	--	--
GB5BMM030K-B	0.062	--	--	0.060 / 8	--	--	--	--
GB5BMM036K-B	0.067	--	--	--	0.065 / 15	--	--	--
GB5BMM042K-B	0.074	--	--	--	--	0.072 / 0	--	--
GB5BMM048K-B	0.079	--	--	--	--	--	0.079 / 2	--
GB5BMM048K-C	0.079	--	--	--	--	--	0.079 / 2	--
GB5BMM060K-C	0.087	--	--	--	--	--	--	0.087 / 0
B5BM-X								
B5B(M,V)-X24K-A	669564	669564 / 30	669564 / 29	--	--	--	--	--
B5B(M,V)-X24K-B	669564	669564 / 30	669564 / 29	--	--	--	--	--
B5B(M,V)-X30K-A	669565	--	--	669565 / 36	--	--	--	--
B5B(M,V)-X30K-B	669565	--	--	669565 / 36	--	--	--	--
B5B(M,V)-X36K-B	669566	--	--	--	669566 / 31	--	--	--
B5B(M,V)-X42K-B	669567	--	--	--	--	669567 / 34	--	--
B5B(M,V)-X48K-B	669568	--	--	--	--	--	669568 / 36	--
B5B(M,V)-X48K-C	669568	--	--	--	--	--	669568 / 36	--
B5B(M,V)-X60K-C	669578	--	--	--	--	--	--	669578 / 36
B5BW								
GB5BW-030K(*)	0.063 †	0.050 / 30	0.057 / 29	0.063 / 36	--	--	--	--

NOTES:

- Cells with hash marks (////) are preliminary data subject to change.
- The charges listed are only valid for the standard 15' lineset.
- Numbers listed as 0.*** are restrictor diameters, while numbers listed as 669*** are TXV part numbers.
- † The GB5BW-030K unit is supplied with extra 0.050, 0.057, and 0.065 restrictors.

Table 4. Restrictor or TXV / Charge Addition (Oz)

Instructions:

1. Find the column for the model of outdoor unit that is being installed.
2. Find the row for the model of the indoor unit that is being installed.
3. Find the cell in the table in which this row and column meet. In this cell the appropriate orifice / TXV and charge addition for this match are listed. If the text in this cell is BOLD, then a change of orifice is necessary.
4. If a change in restrictor is necessary, then the appropriate restrictor will already be supplied with the outdoor unit.

Examples:

- For the *S4BD-030KB / B4VM-X30K-B match, the appropriate TXV is the 669565 and 36 ounces of charge will need to be added. (CHANGE IN CHARGE)
- For the *S4BD-024KB / B6EMMX24K-B match, the appropriate TXV is the 669564 and no additional charge needs to be added. (NO CHANGES ARE NECESSARY)

Model Number: *S4BD-		018KB	024KB	030KB	036KB	042KB	048KB	060KB
ID Restrictor Supplied With OD Unit:		0.048	0.056	0.060, 0.061	0.065, 0.067	0.071, 0.072	0.076, 0.077	0.087
Outdoor Unit BOM Charge (Oz.)		40.4	41	40	41	59	60	69.6
MODELS	SUPPLIED WITH ID	REQUIRED RESTRICTOR OR TXV / CHARGE ADDITION (OZ)						
B6BM								
B6BMM024K-A	0.055	0.048 / 0	0.055 / 3	--	--	--	--	--
B6BMM024K-B	0.055	0.048 / 0	0.055 / 3	--	--	--	--	--
B6BMM030K-A	0.062	--	--	0.060 / 8	--	--	--	--
B6BMM030K-B	0.062	--	--	0.060 / 8	--	--	--	--
B6BMM036K-B	0.067	--	--	--	0.065 / 15	--	--	--
B6BMM042K-B	0.074	--	--	--	--	0.072 / 0	--	--
B6BMM048K-B	0.079	--	--	--	--	--	0.079 / 2	--
B6BMM048K-C	0.079	--	--	--	--	--	0.079 / 2	--
B6BMM060K-C	0.087	--	--	--	--	--	--	0.087 / 0
B6BW								
B6BW-018K(*)	0.056	0.048 / 0	--	--	--	--	--	--
B6BW-024K(*)	0.057	--	0.057 / 3	--	--	--	--	--
B6BW-030K(*)	0.060	--	--	0.060 / 8	--	--	--	--
B6BW-036K(*)	0.069	--	--	--	0.067 / 0	--	--	--
B6EM								
B6EMMX24K-A	669564	669564 / 0	669564 / 0	--	--	--	--	--
B6EMMX24K-B	669564	669564 / 0	669564 / 0	--	--	--	--	--
B6EMMX30K-A	669565	--	--	669565 / 2	--	--	--	--
B6EMMX30K-B	669565	--	--	669565 / 2	--	--	--	--
B6EMMX36K-B	669566	--	--	--	669566 / 6	--	--	--
B6EMMX42K-B	669567	--	--	--	--	669567 / 4	--	--
B6EMMX48K-C	669852	--	--	--	--	669852 / 5	669852 / 3	--
B6EMMX60K-C	669578	--	--	--	--	--	--	669578 / 0
B6VM								
B6VMAX24K-A	669564	669564 / 30	669564 / 29	--	--	--	--	--
B6VMAX24K-B	669564	669564 / 30	669564 / 29	--	--	--	--	--
B6VMAX30K-A	669565	--	--	669565 / 36	--	--	--	--
B6VMAX30K-B	669565	--	669565 / 29	669565 / 36	--	--	--	--
B6VMAX36K-B	669566	--	--	--	669566 / 31	--	--	--
B6VMAX42K-B	669567	--	--	--	--	669567 / 34	--	--
B6VMAX48K-C	669568	--	--	--	--	669568 / 34	669568 / 36	--
B6VMAX60K-C	669578	--	--	--	--	--	--	669578 / 36

NOTES:

- Cells with hash marks (///) are preliminary data subject to change.
- The charges listed are only valid for the standard 15' lineset.
- Numbers listed as 0.*** are restrictor diameters, while numbers listed as 669*** are TXV part numbers.

Table 4. Restrictor or TXV / Charge Addition (Oz) - Continued

Instructions:

1. Find the column for the model of outdoor unit that is being installed.
2. Find the row for the model of the indoor unit that is being installed.
3. Find the cell in the table in which this row and column meet. In this cell the appropriate orifice / TXV and charge addition for this match are listed. If the text in this cell is BOLD, then a change of orifice is necessary.
4. If a change in restrictor is necessary, then the appropriate restrictor will already be supplied with the outdoor unit.

Examples:

- For the *S4BD-030KB / B4VM-X30K-B match, the appropriate TXV is the 669565 and 36 ounces of charge will need to be added. (CHANGE IN CHARGE)
- For the *S4BD-024KB / B6EMMX24K-B match, the appropriate TXV is the 669564 and no additional charge needs to be added. (NO CHANGES ARE NECESSARY)

Model Number: *S4BD-		018KB	024KB	030KB	036KB	042KB	048KB	060KB
ID Restrictor Supplied With OD Unit:		0.048	0.056	0.060, 0.061	0.065, 0.067	0.071, 0.072	0.076, 0.077	//// 0.087 ///
Outdoor Unit BOM Charge (Oz.)		40.4	41	40	41	59	60	//// 69.6 ///
MODELS	SUPPLIED WITH ID	REQUIRED RESTRICTOR OR TXV / CHARGE ADDITION (OZ)						
C6								
C6B(A,H)-X24(C,U)-A	669564	669564 / 30	669564 / 29	--	--	--	--	--
C6B(A,H)-X24(C,U)-B	669681	669681 / 30	669681 / 29	--	--	--	--	--
C6B(A,H)-X30(C,U)-A	669565	--	--	669565 / 36	--	--	--	--
C6B(A,H)-X30(C,U)-B	669682	--	--	669682 / 36	--	--	--	--
C6B(A,H)-X30(C,U)-C	669682	--	--	669682 / 36	--	--	--	--
C6B(A,H)-X35(C,U)-A	669566	--	--	--	669566 / 31	--	--	--
C6B(A,H)-X35(C,U)-B	669683	--	--	--	669683 / 31	--	--	--
C6B(A,H)-X36(C,U)-B	669683	--	--	--	669683 / 31	--	--	--
C6B(A,H)-X36(C,U)-C	669683	--	--	--	669683 / 31	--	--	--
C6B(A,H)-X42(C,U)-B	669684	--	--	--	--	669684 / 34	--	--
C6B(A,H)-X42(C,U)-C	669684	--	--	--	--	669684 / 34	--	--
C6B(A,H)-X42(C,U)-D	669684	--	--	--	--	669684 / 34	--	--
C6B(A,H)-X47(C,U)-C	669852	--	--	--	--	--	669852 / 36	--
C6B(A,H)-X48(C,U)-C	669852	--	--	--	--	--	669852 / 36	--
C6B(A,H)-X48(C,U)-D	669852	--	--	--	--	--	669852 / 36	--
C6B(A,H)-X60(C,U)-C	669686	--	--	--	--	--	--	669686 / 36
C6B(A,H)-X60(C,U)-D	669686	--	--	--	--	--	--	669686 / 36
C7-0								
C7B(A,H)M01824(C,U)-A	0.048	0.048 / 0	0.056 / 0	--	--	--	--	--
C7B(A,H)M01824(C,U)-B	0.055	0.048 / 0	0.055 / 5	--	--	--	--	--
C7B(A,H)M030(C,U)-C	0.061	--	--	0.061 / 0	--	--	--	--
C7B(A,H)M03036(C,U)-A	0.061	--	--	0.061 / 0	0.067 / 10	--	--	--
C7B(A,H)M03036(C,U)-B	0.067	--	--	0.061 / 0	0.067 / 10	--	--	--
C7B(A,H)M03642(C,U)-B	0.071	--	--	--	0.067 / 10	0.071 / 7	--	--
C7B(A,H)M03648(C,U)-C	0.067	--	--	--	0.067 / 10	0.071 / 7	0.076 / 0	--
C7B(A,H)M042(C,U)-D	0.071	--	--	--	--	0.071 / 7	--	--
C7B(A,H)M048(C,U)-C	0.077	--	--	--	--	--	0.077 / 6	--
C7B(A,H)M048(C,U)-D	0.087	--	--	--	--	--	0.077 / 6	--

NOTES:

- Cells with hash marks (////) are preliminary data subject to change.
- The charges listed are only valid for the standard 15' lineset.
- Numbers listed as 0.*** are restrictor diameters, while numbers listed as 669*** are TXV part numbers.

Table 4. Restrictor or TXV / Charge Addition (Oz) - Continued

