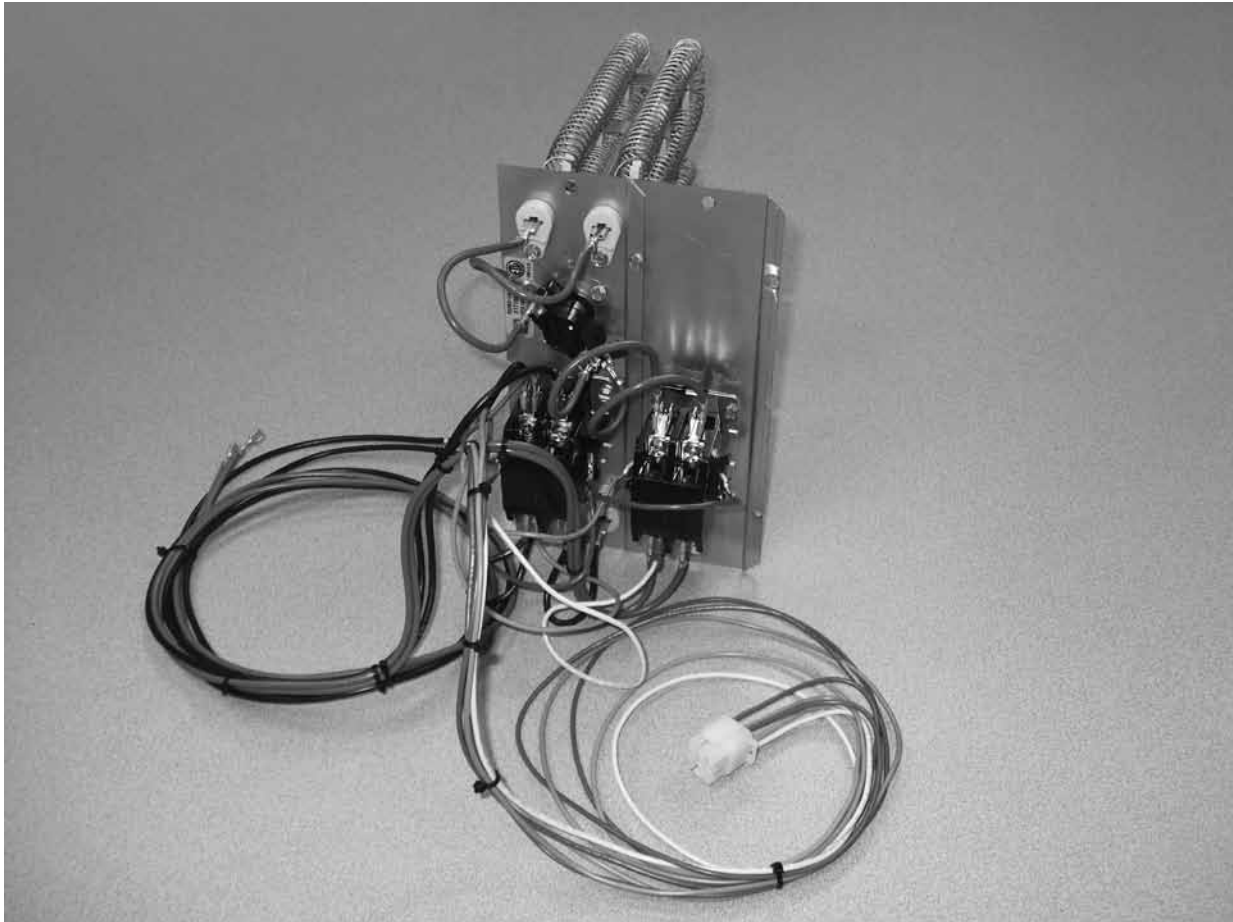


H3HK SERIES

INSTALLATION INSTRUCTIONS

PACKAGE ELECTRIC HEATER KITS

Installation of H3HK Heater Kits (208/240V & 460V) in Packaged Air Conditioners & Packaged Heat Pumps.



IMPORTANT

ATTENTION INSTALLERS:

These instructions are primarily intended to assist qualified individuals experienced in the proper installation of this appliance. Some local codes require licensed installation/service personnel for this type of equipment. All installations must be in accordance with these instructions and with all applicable national and local codes and standards.

Please read all instructions carefully before starting the installation. Return these instructions to the customer's package for future reference.

DO NOT DESTROY. PLEASE READ CAREFULLY & KEEP IN A SAFE PLACE FOR FUTURE REFERENCE.

TABLE OF CONTENTS

IMPORTANT SAFETY INFORMATION	2
GENERAL INFORMATION	2
Clearances to Combustibles	2
ELECTRICAL SUPPLY	3
Circuit Options	3
Circuit Breakers	3
Breaker Attachment	3
Attaching to Bracket	3
Breaker Removal	3
Single Circuit Kit	3
Terminal Blocks	3
ELEMENT INSTALLATION	4
Pre-Installation	4
Element Power Wiring	4
Horizontal Supply & Return	4
Vertical Supply & Return	4
Vertical Installation of 8 & 10 KW Heater Kits	4
Installation of 15 & 20 KW Heater Kits	4
Staged Heat	4
AIRFLOW	4
FIGURES & TABLES	5
Figure 2. Location of Major Components	5
Figure 3. Element Support Bracket	5
HEATER KIT CROSS REFERENCES	6
Table 3. P5RD, P5RF, P7RD, P7RE, & TARG	6
Table 4. P6SD - 13 SEER	6
Table 5. Q4SE - 14 SEER	7
Table 6. Q5RD & Q5RF, 13 & 15 SEER	7
Table 7. Q6SD - 13 SEER	8
Table 8. Q7RD - 13 SEER	9
ELECTRICAL DATA	10
Table 9. P5RD (2, 2.5, & 3 Ton)	10
Table 10. P5RD (3.5, 4, & 5 Ton)	10
Table 11. P5RF (2, 3, 4, & 5 Ton)	11
Table 12. P5RF-KA (2, 3, 4, & 5 Ton)	11
Table 13. P6SD, Single Phase, 208/230V	12
Table 14. P6SD, 3-Phase, 208/230V	12
Table 15. P6SD, 3 Phase, 460V	12
Table 16. P7RD (2, 2.5, 3, 3.5, & 4 Ton)	13
Table 17. P7RD-A (2, 2.5, 3, 3.5, 4, & 5 Ton)	14
Table 18. P7RE (2, 2.5, 3, 3.5, 4, & 5 Ton)	15
Table 19. P8SE (3, 4, & 5 Ton)	16
Table 20. Q5RD w/ PSC Motor (2 & 2.5 Ton)	17
Table 21. Q5RD w/ ECM Motor (3, 3.5, 4, & 5 Ton)	17
Table 22. Q5RF (3, 3.5, 4, & 5 Ton)	18
Table 23. Q5RF-A (3, 3.5, 4, & 5 Ton)	18
Table 24. Q7RD (2, 2.5, 3, 3.5 4, & 5 Ton)	19
Table 25. Q6SD, Single Phase, 208/230V	20
Table 26. Q6SD, 3-Phase, 208/230V	21
Table 27. Q6SD, 3-Phase, 460V	21
WIRING DIAGRAMS	22
Figure 4. Single Phase, 5kW, 1 Circuit W.D.	22
Figure 5. Single Phase, 5 kW, 2 Circuit W.D.	23
Figure 6. Single Phase, 8kW & 10 kW, 1 Circuit W.D.	24
Figure 7. Single Phase, 8kW & 10 kW, 2 Circuit W.D.	25
Figure 8. Single Phase, 15 kW, 3 Circuit, AC W.D.	26
Figure 9. Single Phase, 15 kW, 2 Circuit, HP W.D.	27
Figure 10. Single Phase, 15 kW, 3 Circuit W.D.	28
Figure 11. Single Phase, 20 kW, 2 Circuit W.D.	29
Figure 12. Single Phase, 20 kW, 3 Circuit W.D.	30
Figure 13. Three Phase, 9 kW & 20 kW, 1 Circuit W.D.	31
Figure 14. Three Phase, 9 kW & 15 kW, 2 Circuit W.D.	32

BLOWER DATA	33
Table 28. P5RD, Single Phase	33
Table 29. P5RF Small Pack	33
Table 30. P5RF-KA Small Pack	34
Table 31. P6SD, Single Phase	34
Table 32. P6SD, 3-Phase	35
Table 33. P7RD Small Pack	35
Table 34. P7RD-A	36
Table 35. P7RE	37
Table 36. Q4SE/PPH1SE Min. Electric Heat Airflow	38
Table 37. Q5RD Small Pack	38
Table 38. Q7RD Small Pack	39
Table 39. Q5RF Small Pack	40
Table 40. Q5RF-A Small Pack	40
Table 41. Q6SD, Single Phase	41
Table 42. Q6SD, 3-Phase	42

IMPORTANT SAFETY INFORMATION

INSTALLER: Please read all instructions before servicing this equipment. Pay attention to all safety warnings and any other special notes highlighted in the manual. Safety markings are used frequently throughout this manual to designate a degree or level of seriousness and should not be ignored. **WARNING** indicates a potentially hazardous situation that if not avoided, could result in personal injury or death. **CAUTION** indicates a potentially hazardous situation that if not avoided, may result in minor or moderate injury or property damage.

WARNING:

ELECTRICAL SHOCK, FIRE OR EXPLOSION HAZARD

Failure to follow safety warnings exactly could result in serious injury or property damage.

Improper servicing could result in dangerous operation, serious injury, death or property damage.

- **Before servicing, disconnect all electrical power to the unit.**
- **When servicing controls, label all wires prior to disconnecting. Reconnect wires correctly.**
- **Verify proper operation after servicing.**

GENERAL INFORMATION

H3HK heater kits are approved for use in packaged air conditioners and packaged heat pumps when applied and installed according to these instructions. See [Table 3](#), [Table 4](#), (page 6), [Table 5](#), [Table 6](#), (page 7), [Table 7](#), & [Table 8](#), (page 9) for approved H3HK air conditioner combinations and H3HK heat pump combinations. Refer to the National Electric Code (ANSI/NFPA 70) or in Canada the Canadian Electric Code Part 1 (CSA C.22.1) and applicable local codes for overcurrent protection and disconnect requirements.

Clearances to Combustibles

All units are approved for zero clearance to combustibles when installed according to these instructions and other instructions included with the unit and other approved accessories.

ELECTRICAL SUPPLY

- If the unit was previously installed without electric heat, the existing supply wiring may not be sufficient to handle the increased load. See the unit rating label or Tables 9 - 26 (pages 10 - 20) for minimum circuit ampacities and maximum overcurrent protection ratings.
- Units with installed electric heat may be supplied by a single circuit or by multiple circuits. Additional accessory kits may be required if single circuit installation and/or circuit breakers are desired. See [Figure 1](#) for kit identification and [Table 1](#) for part numbers and accessory descriptions.

Circuit Options

The units with electric heat may be wired for single or multiple circuits and may have circuit breakers or terminal blocks.

NOTE: Circuit breakers installed in the unit are for short-circuit protection of the internal wiring and to serve as a unit disconnect. The circuit breakers **DO NOT** provide overcurrent protection of the supply wiring.

- Overcurrent protection must be provided at the branch circuit distribution panel even if circuit breakers are not used in the units. It must be sized as shown in [Tables Table 9, Table 10, \(page 10\), Table 11, Table 12, \(page 11\), Table 13, Table 14, Table 15, \(page 12\), Table 16, \(page 13\), Table 17, \(page 14\), Table 18, \(page 15\), Table 19, \(page 16\), Table 20, Table 21, \(page 17\), Table 22, Table 23, \(page 18\), Table 24, \(page 19\), Table 25, \(page 20\), Table 26, & Table 27, \(page 21\)](#) or on the unit rating label and according to the National Electric Code, Canadian Electrical Code and applicable local codes. **NOTE:** In most cases the overcurrent protection specified on the unit rating label is less than the 60 amp rating of the circuit breakers used in the units. This is because the function of the overcurrent protection required at the distribution panel (field supplied) and the unit mounted breakers is different.
- When circuit breakers are used they must be used on all circuits. Refer to [Table 3, Table 4, Table 5, Table 6, Table 7, & Table 8](#) for the correct circuit breaker for the application.
- If the number of circuits listed in [Table 3, Table 4, Table 5, Table 6, Table 7, & Table 8](#) are more than 1, circuit breakers are required. If single circuit supply wiring is desired: Use the 4-pole circuit adapter kit (P/N 913350) when two 2-pole circuit breakers are used. If 3 circuit breakers are used, the 6-pole circuit adapter kit (P/N 913556) is required. The single circuit adapter kits are not applicable to 3-phase units.
- If circuit breakers are not being used, proceed to the Terminal Block section ([page 3](#)).

Circuit Breakers

If circuit breakers are used for any circuit, they must be used for all circuits. Use one breaker for each circuit. See [Table 3, Table 4, Table 5, Table 6, Table 7, & Table 8](#).

HEATER KITS	DESCRIPTION	PART NUMBER
1 PHASE 208/230V	H3HK005H-01A (5kw)	917166C
	H3HK008H-01A (8kw)	917167C
	H3HK010H-01A (10kw)	917168C
	H3HK015H-01A (15kw)	917169C
	H3HK015H-21A (15kw)	917172C
	H3HK020H-01A (20kw)	917170C
	H3HK020H-21A (20kw)	917173C
3 PHASE 208/230V	H3HK-009Q-01A (9kw)	903854C
	H3HK-015Q-01A (15kw)	903855C
3 PHASE 460V	H3HK-009S-01A (9kw)	903850B
	H3HK-015S-01A (15kw)	903851B
ACCESSORIES	4-Pole Single Circuit Adaptor*	913350
	6-Pole Single Circuit Adaptor*	913556
	Circuit Breaker, 1 Phase (2-Pole)	913554
	Circuit Breaker, 3 Phase (3-Pole)	913740

* Single phase models only

Table 1. Heater Kits & Accessories

Breaker Attachment

Install the circuit breaker mounting rail to the control panel with the 4 blunt tip screws provided.

Attaching to Bracket

Attach the circuit breakers in the unit by hooking the bottom in the base of the circuit breaker onto the left rail of the bracket and rotating to the right. The circuit breaker should snap into place. Install the breakers so that the ON position is to the right. See [Figure 2 \(page 5\)](#) for component location.

Breaker Removal

Insert a screwdriver into the hole in the release tab and pull out while rotating the breaker out and to the left. The white release tab is located at the base of the breaker under the line side (right) terminals.

Single Circuit Kit

(single phase only)

Refer to the instructions included with the single circuit adapter kit for details on how to configure the adapter. Install the adapter as shown in the instructions in the line side (right) of the breakers. Proceed to the Element Installation section.

Terminal Blocks

H3HK heater kits are shipped with a terminal block for small package units. For large package units the terminal block(s) will not be used. The electric heater kits will be wired to the existing factory installed terminal block. If the number of circuits indicated in [Table 3, Table 4, \(page 6\), Table 5, Table 6, \(page 7\), Table 7, & Table 8, \(page 9\)](#) is 2 or 3, then the circuit breakers must be used. See Circuit Options section.

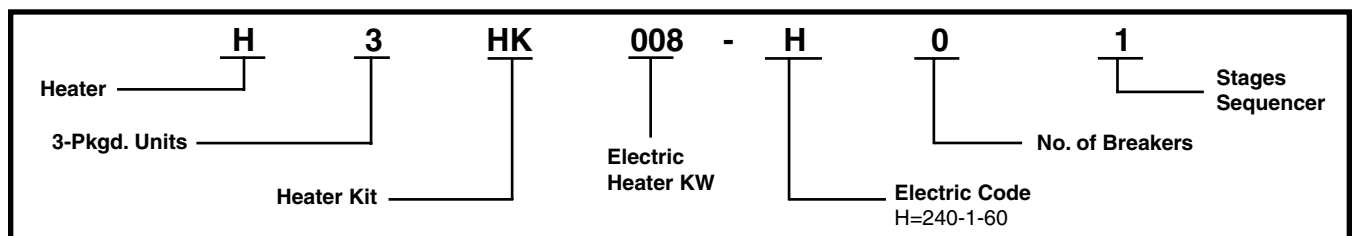


Figure 1. Heater Kit Identification Code

ELEMENT INSTALLATION

The heater will not function properly if the elements are installed incorrectly.

Pre-Installation

Remove the control box access panel. Locate the heater plug assembly (9 pin for single phase kits or 12 pin for 3 phase kits) and remove the jumper cap. Discard the jumper cap; it will not be used after installing the heater kits.

Remove the heater close-off plate(s) in the electric heat panel. When installing single banks of heaters, position them closest to the blower. See [Figure 2 \(page 5\)](#).

Element Power Wiring

- Route the main power leads (heavy black & red wires) and the 9 or 12-pin heat plug through the access hole at the top of the control panel to the circuit breaker or terminal block.
- Connect the 9 or 12-pin heat kit plug to the heat accessory plug located in the control box. For connections, refer to the detailed wiring diagrams: [Figure 4 \(page 22\)](#), [Figure 5 \(page 23\)](#), [Figure 6 \(page 24\)](#), [Figure 7 \(page 25\)](#), [Figure 8 \(page 26\)](#), [Figure 9 \(page 27\)](#), [Figure 10 \(page 28\)](#), [Figure 11 \(page 29\)](#), [Figure 12 \(page 30\)](#), [Figure 13 \(page 31\)](#), & [Figure 14 \(page 32\)](#). Make sure all connections are secure.
- Select large package units have additional terminal blocks installed. The power leads from the heater kit should be attached to these terminal blocks.
- Wires needed to connect from terminal blocks to circuit breakers should be field supplied. The 6 inch leads are provided with the heater kit to connect the circuit breaker(s) to the compressor contactor. Mark the appropriate box on the unit rating plate with an "X" to indicate which heater kit has been installed.
NOTE: Torque the circuit breaker lugs to 45 in-lbs.

Horizontal Supply & Return

Install the heater kit with the limit control towards the top of the unit when using side supply and return duct openings.

Vertical Supply & Return

Vertical Installation of 8 & 10 KW Heater Kits

Install the heater kit with the limit towards the bottom of the unit. When installing single bank(s) of heater(s), position them closest to the blower.

Rooftop applications with vertical ducts must have an elbow installed in the supply duct so that the elements are not directly over a supply grille.

1. Remove the two screws on the heater kit unit holding both heating element plates together if modifying the location of the element to be closer to the blower.
2. Tilt the heating element plate forward to create clearance of contactor wires. Move it to the other side of the heating element bank and then back down, aligning the edge holes of the heating element plates.

NOTE: This allows the unit to be turned around so that both the element being closest to the blower and limit being towards the bottom of the unit conditions are satisfied. If the low voltage coil wires on the contactor need to be removed mark each wire prior to removal to ensure proper and easier reinstallation.

3. Using the two screws removed in step 1, fasten the element close-off plates together.

Installation of 15 & 20 KW Heater Kits

The 15 & 20 KW heater kit includes a contactor bracket that must be mounted on the blower transition panels of the package equipment. Loosen the screw toward the middle of the transition panel enough so that the open slot on the bracket will slide into this screw. See [Figure 2 \(page 5\)](#).

- If installing in a large package unit, the mounting screw for the front of this bracket will be on the top side of the blower transition panel closest to the supply duct opening.
- If installing in a small package unit, the mounting screw will be on the side of the blower transition. Remove this screw to allow the contactor bracket to slide into the back screw.

Reinstall the front screw and tighten the back screw firmly.

NOTE: Make sure the element support rod is inserted into the support bracket. Fasten the heater with the same screws used to secure the close-off plates. See [Figure 3 \(page 5\)](#).

Staged Heat

To stage the heat on the 15 kw or 20 kw heater kits, the factory set wiring will need to be modified. The orange wire in Pin 2 on the heat accessory plug will be re-routed. See the installation instructions supplied with the heat pump or air conditioner for typical thermostat connections.

AIRFLOW

All heater kit temperature rise data in [Table 28](#), [Table 29](#), [Table 30](#), [Table 31](#), [Table 32](#), [Table 33](#), [Table 34](#), [Table 35](#), [Table 36](#), [Table 37](#), [Table 38](#), [Table 39](#), [Table 40](#), [Table 41](#), [Table 42](#), & [Table 43](#) have been calculated using 10kW heaters (9kW for 3 phase units). For other sized heater kits, use the following steps below to determine the heat rise for your particular heater kit.

1. Determine your CFM. **NOTE:** Find this data by locating your blower motor tap settings in the data supplied with the Installation Instructions.
2. Locate your heater kits kW value and Btu/h in [Table 2](#).
3. Input the values into the following equation:

$$\text{Temp Rise: } \Delta T = (\text{Btu/h}) / (\text{CFM} * 1.08)$$

NOTE: Generally the heat rise should be 30 - 40 degrees. Anything above 40 degrees should be avoided.

KW/H	BTU/H
5	17,060
8	27,297
9	30,709
10	34,121
15	51,182
20	68,242

Table 2. kW & Btu/h Ratings

FIGURES & TABLES

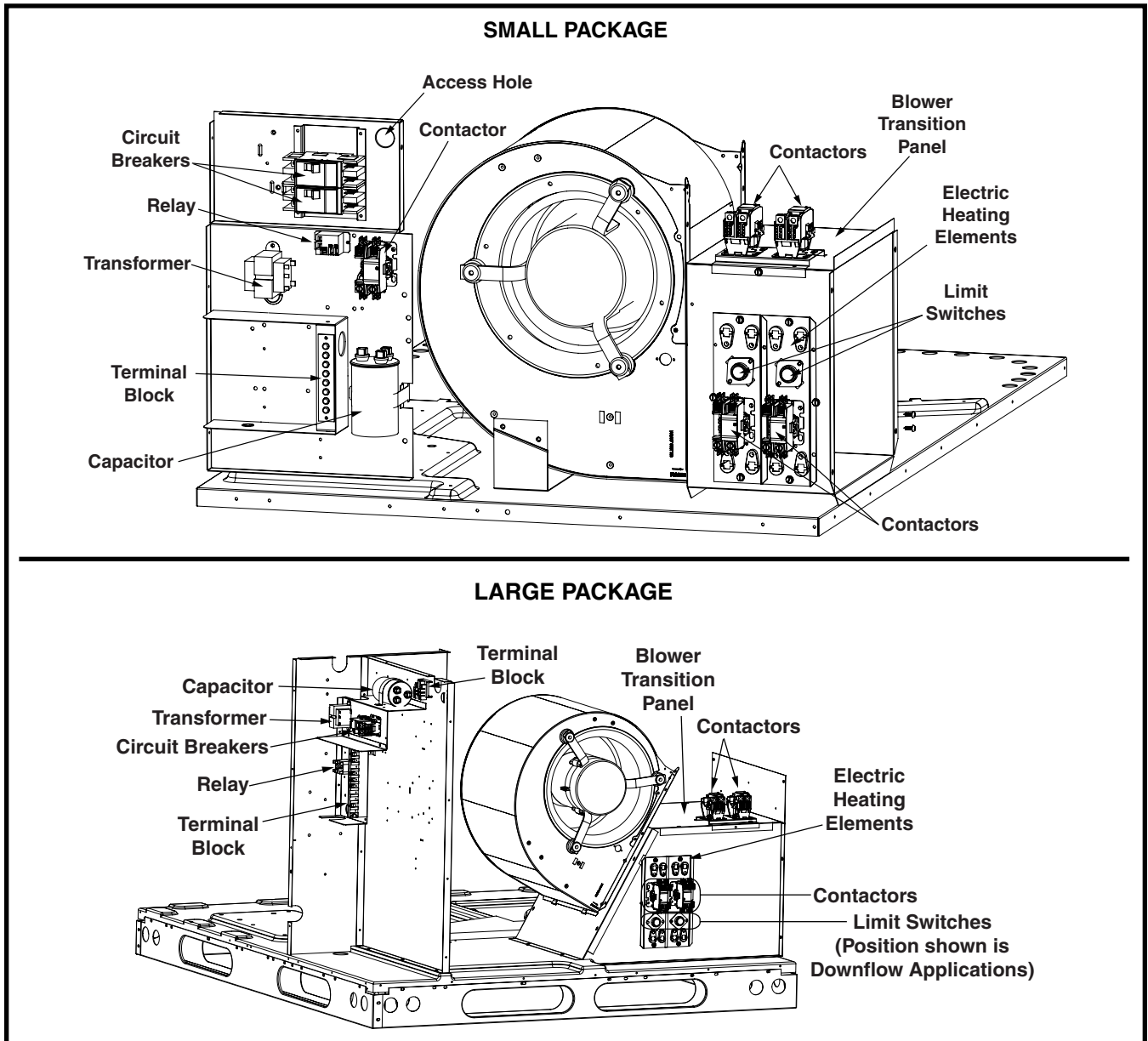


Figure 2. Location of Major Components

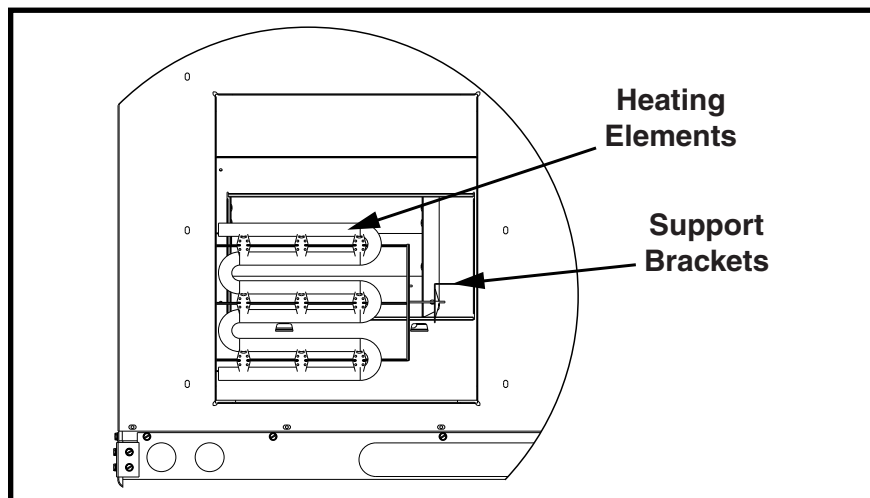


Figure 3. Element Support Bracket

HEATER KIT CROSS REFERENCES

TONNAGE SEER PHASE	UNIT	NOMINAL KW	HEATER KIT MODEL	HEATER KIT PART NUMBER	BREAKERS REQUIRED	WIRING DIAGRAM NUMBER
2 Ton 13, 14, & 15 SEER Single Phase	P5RD, GP5RD, PPA2RD, PRF, PPA2RF, P7RD, PPA3RD, GP7RD, P7RE, PPA3RE, VP7RD, TARG24	5	H3HK005H-01C	917166C	NONE	1
		8	H3HK008H-01C	917167C	NONE	3
		10	H3HK010H-01C	917168C	NONE	3
2.5 Ton 13 & 14 SEER Single Phase	P5RD, GP5RD, PPA2RD, P7RD, PPA3RD, GP7RD, P7RE, PPA3RE, VP7RD, TARG30	5	H3HK005H-01C	917166C	NONE	1
		8	H3HK008H-01C	917167C	NONE	3
		10	H3HK010H-01C	917168C	NONE	3
		15	H3HK015H-01C	917169C	2	5
3 Ton 13, 14, & 15 SEER Single Phase	P5RD, GP5RD, PPA2RD, P5RF, PPA2RF, P7RD, PPA3RD, GP7RD, P7RE, PPA3RE, VP7RD, TARG36	5	H3HK005H-01C	917166C	NONE	1
		8	H3HK008H-01C	917167C	NONE	3
		10	H3HK010H-01C	917168C	NONE	3
		15	H3HK015H-01C	917169C	2	5
3.5 Ton 13 & 14 SEER Single Phase	P5RD, GP5RD, PPA2RD, P7RD, PPA3RD, GP7RD, P7RE, PPA3RE, VP7RD, TARG42	5	H3HK005H-01C	917166C	NONE	1
		8	H3HK008H-01C	917167C	NONE	3
		10	H3HK010H-01C	917168C	NONE	3
		15	H3HK015H-01C	917169C	2	5
		20	H3HK020H-01C	917170C	2	8
4 Ton 13, 14, & 15 SEER Single Phase	P5RD, GP5RD, PPA2RD, P5RF, PPA2RF, P7RD, PPA3RD, GP7RD, P7RE, PPA3RE, VP7RD, TARG48	5	H3HK005H-01C	917166C	NONE	1
		8	H3HK008H-01C	917167C	NONE	3
		10	H3HK010H-01C	917168C	NONE	3
		15	H3HK015H-01C	917169C	2	5
		20	H3HK020H-01C	917170C	2	8
5 Ton 13, 14, & 15 SEER Single Phase	P5RD, GP5RD, PPA2RD, P5RF, PPA2RF, P7RD, PPA3RD, GP7RD, P7RE, PPA3RE, VP7RD, TARG60	5	H3HK005H-01C	917166C	NONE	1
		8	H3HK008H-01C	917167C	NONE	3
		10	H3HK010H-01C	917168C	NONE	3
		15	H3HK015H-01C	917169C	2	5
		20	H3HK020H-01C	917170C	2	8

**Table 3. P5RD, P5RF, P7RD, P7RE, & TARG
Heater Kit Model Cross Reference (Air Conditioner)**

TONNAGE & PHASE	UNIT	NOMINAL KW	HEATER KIT MODEL	HEATER KIT PART NUMBER	BREAKERS REQUIRED	WIRING DIAGRAM NUMBER
3 Ton, Single Phase	P6SD GP6SD PPA2SD	5	H3HK005H-01C	917166C	None	1
		8	H3HK008H-01C	917167C	None	3
		10	H3HK010H-01C	917168C	None	3
		15	H3HK015H-01C	917169C	2	5
4 Ton, Single Phase	P6SD GP6SD PPA2SD	5	H3HK005H-01C	917166C	None	1
		8	H3HK008H-01C	917167C	None	3
		10	H3HK010H-01C	917168C	None	3
		15	H3HK015H-01C	917169C	2	5
		20	H3HK020H-01C	917170C	2	8
5 Ton, Single Phase	P6SD GP6SD PPA2SD	5	H3HK005H-01C	917166C	None	1
		8	H3HK008H-01C	917167C	None	3
		10	H3HK010H-01C	917168C	2	4
		15	H3HK015H-01C	917169C	2	5
		20	H3HK020H-01C	917170C	3	9
3,4, & 5 TON 3 Phase 208/230V	P6SD	9	H3HK-009Q-01C	903854C	None	10
		15	H3HK-015Q-01C	903855C	None	10
3,4, & 5 TON 3 Phase 460V	P6SD	9	H3HK-009S-01B	903850B	None	12
		15	H3HK-015S-01B	903851B	None	12

**Table 4. P6SD - 13 SEER
Heater Kit Model Cross Reference**

TONNAGE & PHASE	UNIT	NOMINAL KW	HEATER KIT MODEL	HEATER KIT PART NUMBER	BREAKERS REQUIRED	WIRING DIAGRAM NUMBER
2 Ton Single Phase	Q4SE PPH1SE	5	H3HK005H-01C	917166C	None	1
		8	H3HK008H-01C	917167C	None	3
		10	H3HK010H-01C	917168C	2	4
3 Ton Single Phase	Q4SE PPH1SE	5	H3HK005H-01C	917166C	None	1
		8	H3HK008H-01C	917167C	2	4
		10	H3HK010H-01C	917168C	2	4
		15	H3HK015H-01C	917169C	2	6
4 Ton Single Phase	Q4SE PPH1SE	5	H3HK005H-01C	917166C	2	2
		8	H3HK008H-01C	917167C	2	4
		10	H3HK010H-01C	917168C	2	4
		15	H3HK015H-01C	917169C	3	7
		20	H3HK020H-01C	917170C	3	9
5 Ton Single Phase	Q4SE PPH1SE	5	H3HK005H-01C	917166C	2	2
		8	H3HK008H-01C	917167C	2	4
		10	H3HK010H-01C	917168C	2	4
		15	H3HK015H-01C	917169C	3	7
		20	H3HK020H-01C	917170C	3	9

**Table 5. Q4SE - 14 SEER
Heater Kit Model Cross Reference**

TONNAGE, SEER, PHASE	UNIT	NOMINAL KW	HEATER KIT MODEL	HEATER KIT PART NUMBER	BREAKERS REQUIRED	WIRING DIAGRAM NUMBER
2 Ton 13 & 15 SEER Single Phase	Q5RD, GQ5RD, PPH2RF, VQRD, Q5RF, PPH2RF	5	H3HK005H-01C	917166C	NONE	1
		8	H3HK008H-01C	917167C	NONE	3
		10	H3HK010H-01C	917168C	2	4
2.5 Ton 13 SEER Single Phase	Q5RD, GQ5RD, PPH1RD, VQ5RD	5	H3HK005H-01C	917166C	NONE	1
		8	H3HK008H-01C	917167C	2	4
		10	H3HK010H-01C	917168C	2	4
		15	H3HK015H-01C	917169C	2	6
3 Ton 13 & 15 SEER Single Phase	Q5RD, GQ5RD, PPH2RF, VQRD, Q5RF, PPH2RF	5	H3HK005H-01C	917166C	NONE	1
		8	H3HK008H-01C	917167C	2	4
		10	H3HK010H-01C	917168C	2	4
		15	H3HK015H-01C	917169C	2	6
3.5 Ton 13 SEER Single Phase	Q5RD, GQ5RD, PPH1RD, VQ5RD	5	H3HK005H-01C	917166C	NONE	1
		8	H3HK008H-01C	917167C	2	4
		10	H3HK010H-01C	917168C	2	4
		15	H3HK015H-01C	917169C	2	6
		20	H3HK020H-01C	917170C	3	9
4 Ton 13 & 15 SEER Single Phase	Q5RD, GQ5RD, PPH2RF, VQRD, Q5RF, PPH2RF	5	H3HK005H-01C	917166C	2	2
		8	H3HK008H-01C	917167C	2	4
		10	H3HK010H-01C	917168C	2	4
		15	H3HK015H-01C	917169C	2	6
		20	H3HK020H-01C	917170C	3	9
5 Ton 13 & 15 SEER Single Phase	Q5RD, GQ5RD, PPH2RF, VQRD, Q5RF, PPH2RF	5	H3HK005H-01C	917166C	2	2
		8	H3HK008H-01C	917167C	2	4
		10	H3HK010H-01C	917168C	2	4
		15	H3HK015H-01C	917169C	2	6
		20	H3HK020H-01C	917170C	3	9

**Table 6. Q5RD & Q5RF, 13 & 15 SEER
Heater Kit Model Cross Reference (Heat Pump)**

TONNAGE & PHASE	UNIT	NOMINAL KW	HEATER KIT MODEL	HEATER KIT PART NUMBER	BREAKERS REQUIRED	WIRING DIAGRAM NUMBER
2 Ton Single Phase	Q6SD GQ6SD PPH2SDX	5	H3HK005H-01C	917166C	None	1
		8	H3HK008H-01C	917167C	2	4
		10	H3HK010H-01C	917168C	2	4
		15	H3HK015H-01C	917169C	3	7
2.5 Ton Single Phase	Q6SD GQ6SD PPH2SDX	5	H3HK005H-01C	917166C	None	1
		8	H3HK008H-01C	917167C	2	4
		10	H3HK010H-01C	917168C	2	4
		15	H3HK015H-01C	917169C	3	7
3 Ton Single Phase	Q6SD GQ6SD PPH2SDX	5	H3HK005H-01C	917166C	None	1
		8	H3HK008H-01C	917167C	2	4
		10	H3HK010H-01C	917168C	2	4
		15	H3HK015H-01C	917169C	3	7
3.5 Ton Single Phase	Q6SD GQ6SD PPH2SDX	5	H3HK005H-01C	917166C	2	2
		8	H3HK008H-01C	917167C	2	4
		10	H3HK010H-01C	917168C	2	4
		15	H3HK015H-01C	917169C	3	7
		20	H3HK020H-01C	917170C	3	9
4 Ton Single Phase	Q6SD GQ6SD PPH2SDX	5	H3HK005H-01C	917166C	2	2
		8	H3HK008H-01C	917167C	2	4
		10	H3HK010H-01C	917168C	2	4
		15	H3HK015H-01C	917169C	3	7
		20	H3HK020H-01C	917170C	3	9
5 Ton Single Phase	Q6SD GQ6SD PPH2SDX	5	H3HK005H-01C	917166C	2	2
		8	H3HK008H-01C	917167C	2	4
		10	H3HK010H-01C	917168C	2	4
		15	H3HK015H-01C	917169C	3	7
		20	H3HK020H-01C	917170C	3	9
3,4, & 5 TON 3 Phase 208/230V	Q6SD	9	H3HK-009Q-01C	903854C	None	10
		15	H3HK-015Q-01C	903855C	2	11
3,4, & 5 TON 3 Phase 460V	Q6SD	9	H3HK-009S-01B	903850B	None	12
		15	H3HK-015S-01B	903851B	None	12

**Table 7. Q6SD - 13 SEER
Heater Kit Model Cross Reference**

TONNAGE, SEER, PHASE	UNIT	NOMINAL KW	HEATER KIT MODEL	HEATER KIT PART NUMBER	BREAKERS REQUIRED	WIRING DIAGRAM NUMBER
2 Ton 13 SEER Single Phase	Q7RD, GQ7RD, PPH3RD, VQ7RD, MPHG24	5	H3HK005H-01C	917166C	NONE	1
		8	H3HK008H-01C	917167C	2	4
		10	H3HK010H-01C	917168C	2	4
2.5 Ton 13 SEER Single Phase	Q7RD, GQ7RD, PPH3RD, VQ7RD, MPHG30	5	H3HK005H-01C	917166C	NONE	1
		8	H3HK008H-01C	917167C	2	4
		10	H3HK010H-01C	917168C	2	4
		15	H3HK015H-01C	917169C	2	6
3 Ton 13 SEER Single Phase	Q7RD, GQ7RD, PPH3RD, VQ7RD, MPHG36	5	H3HK005H-01C	917166C	NONE	1
		8	H3HK008H-01C	917167C	2	4
		10	H3HK010H-01C	917168C	2	4
		15	H3HK015H-01C	917169C	2	6
3.5 Ton 13 SEER Single Phase	Q7RD, GQ7RD, PPH3RD, VQ7RD, MPHG42	5	H3HK005H-01C	917166C	NONE	1
		8	H3HK008H-01C	917167C	2	4
		10	H3HK010H-01C	917168C	2	4
		15	H3HK015H-01C	917169C	2	6
		20	H3HK020H-01C	917170C	3	9
4 Ton 13 SEER Single Phase	Q7RD, GQ7RD, PPH3RD, VQ7RD, MPHG48	5	H3HK005H-01C	917166C	2	2
		8	H3HK008H-01C	917167C	2	4
		10	H3HK010H-01C	917168C	2	4
		15	H3HK015H-01C	917169C	2	6
		20	H3HK020H-01C	917170C	3	9
5 Ton 13 SEER Single Phase	Q7RD, GQ7RD, PPH3RD, VQ7RD, MPHG60	5	H3HK005H-01C	917166C	2	2
		8	H3HK008H-01C	917167C	2	4
		10	H3HK010H-01C	917168C	2	4
		15	H3HK015H-01C	917169C	2	6
		20	H3HK020H-01C	917170C	3	9

**Table 8. Q7RD - 13 SEER
Heater Kit Model Cross Reference**

ELECTRICAL DATA

P5RD SERIES - 208/230V - SINGLE PHASE MODELS										
MODEL P5RD-	HEATER KW	SINGLE CIRCUIT			MULTIPLE SUPPLY CIRCUIT OPTION					
		MCA	REC, WIRE GAGE (90° C CU)	MOP	CIRCUIT A (COMPRESSOR & FAN)			CIRCUIT B (BLOWER & HEATER)		
					MCA	REC, WIRE GAGE (90° C CU)	MOP	MCA	REC, WIRE GAGE (90° C CU)	MOP
024K	0	18.5	12	30	—	—	—	—	—	—
	5	26.8	10	30	—	—	—	—	—	—
	8	41.3	8	45	—	—	—	—	—	—
	10	51.8	8	60	—	—	—	—	—	—
030K	0	22.1	10	35	—	—	—	—	—	—
	5	26.8	10	35	—	—	—	—	—	—
	8	41.3	8	45	—	—	—	—	—	—
	10	51.8	8	60	—	—	—	—	—	—
	15	76.8	4	80	50	8	60	26.8	10	30
036K	0	26.5	10	45	—	—	—	—	—	—
	5	27.6	10	45	—	—	—	—	—	—
	8	42.2	8	45	—	—	—	—	—	—
	10	52.6	8	60	—	—	—	—	—	—
042KA	15	77.6	4	80	50	8	60	27.6	10	30
	0	31.9	8	50	—	—	—	—	—	—
	5	31.9	8	50	—	—	—	—	—	—
	8	41.1	8	50	—	—	—	—	—	—
	10	51.5	8	60	—	—	—	—	—	—
048KA	15	76.5	4	80	51.5	8	60	25	10	30
	20	101.5	3	110	51.5	8	60	50	8	60
	0	34.9	8	50	—	—	—	—	—	—
	5	34.9	8	50	—	—	—	—	—	—
	8	41.1	8	50	—	—	—	—	—	—
	10	51.8	8	60	—	—	—	—	—	—

NOTE: P5RD 2, 2.5 & 3 ton models have PSC motors. Since the power wires run through the heater plug, keep the blower and heater on different circuits when adding a heater kit.

Table 9. P5RD (2, 2.5, & 3 Ton)

P5RD SERIES - 208/230V - SINGLE PHASE MODELS										
MODEL P5RD-	HEATER KW	SINGLE CIRCUIT			MULTIPLE SUPPLY CIRCUIT OPTION					
		MCA	REC, WIRE GAGE (90° C CU)	MOP	CIRCUIT A (COMPRESSOR, BLOWER, & FAN)			CIRCUIT B (HEATER)		
					MCA	REC, WIRE GAGE (90° C CU)	MOP	MCA	REC, WIRE GAGE (90° C CU)	MOP
042K	0	32.9	8	50	—	—	—	—	—	—
	5	32.9	8	50	—	—	—	—	—	—
	8	41.1	8	50	—	—	—	—	—	—
	10	51.5	8	60	—	—	—	—	—	—
	15	76.5	4	80	51.5	8	60	25	10	30
048K	20	101.5	3	110	51.5	8	60	50	8	60
	0	37.6	8	60	—	—	—	—	—	—
	5	37.6	8	60	—	—	—	—	—	—
	8	41.1	8	60	—	—	—	—	—	—
	10	51.5	8	60	—	—	—	—	—	—
060K	15	76.5	4	80	51.5	8	70	25	10	30
	20	101.5	3	110	51.5	8	70	50	8	60
	0	44	8	70	—	—	—	—	—	—
	5	44	8	70	—	—	—	—	—	—
	8	44	8	70	—	—	—	—	—	—

Table 10. P5RD (3.5, 4, & 5 Ton)

P5RF SERIES - 208/230V - SINGLE PHASE MODELS										
MODEL P5RF-	HEATER KW	SINGLE CIRCUIT			MULTIPLE SUPPLY CIRCUIT OPTION					
		MCA	REC, WIRE GAGE (90°C CU)	MOP	CIRCUIT A (COMPRESSOR, BLOWER, & FAN)			CIRCUIT B (HEATER)		
					MCA	REC, WIRE GAGE (90°C CU)	MOP	MCA	REC, WIRE GAGE (90°C CU)	MOP
X24K	0	18.1	12	25	—	—	—	—	—	—
	5	26.5	10	30	—	—	—	—	—	—
	8	41.1	8	45	—	—	—	—	—	—
	10	51.5	8	60	—	—	—	—	—	—
X36K	0	26.1	10	40	—	—	—	—	—	—
	5	26.5	10	40	—	—	—	—	—	—
	8	41.1	8	45	—	—	—	—	—	—
	10	51.5	8	60	—	—	—	—	—	—
	15	76.5	4	80	51.5	8	60	25	10	30
X48K	0	37.7	8	50	—	—	—	—	—	—
	5	37.7	8	50	—	—	—	—	—	—
	8	46.2	8	50	—	—	—	—	—	—
	10	56.6	6	60	—	—	—	—	—	—
	15	81.6	4	90	56.6	6	60	25	10	30
	20	106.6	3	110	56.6	6	60	50	8	60
X60K	0	40.1	8	60	—	—	—	—	—	—
	5	40.1	8	60	—	—	—	—	—	—
	8	46.2	8	60	—	—	—	—	—	—
	10	56.6	6	60	—	—	—	—	—	—
	15	81.6	4	90	56.6	6	60	25	10	30
	20	106.6	3	110	56.6	6	60	50	8	60

Table 11. P5RF (2, 3, 4, & 5 Ton)

P5RF-KA SERIES- 208/230V - SINGLE PHASE MODELS										
MODEL P5RF-	HEATER KW	SINGLE CIRCUIT			MULTIPLE SUPPLY CIRCUIT OPTION					
		MCA	REC, WIRE GAGE (90°C CU)	MOP	CIRCUIT A (COMPRESSOR, BLOWER, & FAN)			CIRCUIT B (HEATER)		
					MCA	REC, WIRE GAGE (90°C CU)	MOP	MCA	REC, WIRE GAGE (90°C CU)	MOP
X24KA	0	19.4	12	30	—	—	—	—	—	—
	5	29.8	10	30	—	—	—	—	—	—
	8	44.3	8	45	—	—	—	—	—	—
	10	54.8	8	60	—	—	—	—	—	—
X36KA	0	24.1	10	35	—	—	—	—	—	—
	5	29.8	10	35	—	—	—	—	—	—
	8	44.3	8	45	—	—	—	—	—	—
	10	54.8	8	60	—	—	—	—	—	—
	15	79.8	4	80	54.8	8	60	25	10	30
X48KA	0	35.7	8	50	—	—	—	—	—	—
	5	35.7	8	50	—	—	—	—	—	—
	8	46.3	8	50	—	—	—	—	—	—
	10	56.8	6	60	—	—	—	—	—	—
	15	81.8	4	90	56.8	6	60	25	10	30
	20	106.8	3	110	56.8	6	60	50	8	60
X60KA	0	45.2	8	70	—	—	—	—	—	—
	5	45.2	8	70	—	—	—	—	—	—
	8	46.3	8	70	—	—	—	—	—	—
	10	56.8	6	70	—	—	—	—	—	—
	15	81.8	4	90	56.8	6	70	25	10	30
	20	106.8	3	110	56.8	6	60	50	8	60

Table 12. P5RF-KA (2, 3, 4, & 5 Ton)

P6SD SERIES - 208/230V - SINGLE PHASE MODELS													
MODEL NUMBER P6SD-	HEATER INSTALLED NOMINAL KW	SINGLE CIRCUIT			MULTIPLE SUPPLY CIRCUIT OPTION								
		MCA	REC, WIRE GAGE (90° C CU)	MOP	CIRCUIT A (COMPRESSOR & FAN)			CIRCUIT B (BLOWER & HEATER)					
					MCA	REC, WIRE GAGE (90° C CU)	MOP	MCA	REC, WIRE GAGE (90° C CU)	MOP			
X36K	0	25.8	10	40	—	—	—	—	—	—			
	5	26.5	10	40	—	—	—	—	—	—			
	8	41.2	8	45	—	—	—	—	—	—			
	10	51.6	8	60	—	—	—	—	—	—			
	15	76.6	4	80	50.0	8	60	26.6	10	30			
X48K	0	32.9	8	50	—	—	—	—	—	—			
	5	32.9	8	50	—	—	—	—	—	—			
	8	41.2	8	50	—	—	—	—	—	—			
	10	51.6	8	60	—	—	—	—	—	—			
	15	76.6	4	80	51.6	8	50	26.6	10	30			
	20	101.6	3	110	50	8	50	51.6	8	60			
MODEL NUMBER P6SD-	HEATER INSTALLED NOMINAL KW	SINGLE CIRCUIT			MULTIPLE SUPPLY CIRCUIT OPTION								
		MCA	REC, WIRE GAGE (90° C CU)	MOP	CIRCUIT A (COMPRESSOR, BLOWER, & FAN)			CIRCUIT B (HEATER ONLY)			CIRCUIT C (HEATER ONLY)		
					MCA	REC, WIRE GAGE (90° C CU)	MOP	MCA	REC, WIRE GAGE (90° C CU)	MOP	MCA	REC, WIRE GAGE (90° C CU)	MOP
X60K	0	43.8	8	70	—	—	—	—	—	—	—	—	—
	5	43.8	8	70	—	—	—	—	—	—	—	—	—
	8	43.8	8	70	—	—	—	—	—	—	—	—	—
	10	51.5	8	70	43.8	8	70	50	8	60	—	—	—
	15	76.5	4	80	51.5	8	70	25	10	30	—	—	—
	20	101.5	3	110	43.8	8	70	50	8	60	50	8	60

NOTE: P6SD 3 & 4 ton models have PSC motors. Since the power wires run through the heater plug, keep the blower and heater on different circuits when adding a heater kit.

Table 13. P6SD, Single Phase, 208/230V (3, 4, & 5 Ton)

P6SD SERIES - 208/230V - 3 PHASE MODELS				
MODEL NUMBER P6SD-	HEATER INSTALLED NOMINAL KW	SINGLE CIRCUIT		
		MCA	REC, WIRE GAGE (90° C CU)	MOP
X36C	0	17.0	12	25
	9	28.7	10	30
	15	46.8	8	50
X48C	0	21.6	10	35
	9	28.7	10	35
	15	46.8	8	50
X60C	0	29	10	45
	9	29	10	45
	15	46.7	8	50

NOTE: P6SD 3 & 4 ton models have PSC motors. Since the power wires run through the heater plug, keep the blower and heater on different circuits when adding a heater kit.

Table 14. P6SD, 3-Phase, 208/230V (3, 4, & 5 Ton)

P6SD SERIES - 460V - 3 PHASE MODELS				
MODEL NUMBER P6SD-	HEATER INSTALLED NOMINAL KW	SINGLE CIRCUIT		
		MCA	REC, WIRE GAGE (90° C CU)	MOP
X36D	0	9.4	14	15
	9	15.1	12	15
	15	24.5	10	25
X48D	0	10.9	14	15
	9	16.2	12	15
	15	25.7	10	30
X60D	0	14.6	14	15
	9	14.9	14	15
	15	24.3	10	25

NOTE: P6SD 3 & 4 ton models have PSC motors. Since the power wires run through the heater plug, keep the blower and heater on different circuits when adding a heater kit.

Table 15. P6SD, 3 Phase, 460V

P7RD SERIES - 208/230V - SINGLE PHASE MODELS										
MODEL P7RD-	HEATER (KW)	SINGLE CIRCUIT			MULTIPLE SUPPLY CIRCUIT OPTION					
		MCA	REC, WIRE GAGE (90°C CU)	MOP	CIRCUIT A (COMPRESSOR & FAN)			CIRCUIT B (BLOWER & HEATER)		
					MCA	REC, WIRE GAGE (90°C CU)	MOP	MCA	REC, WIRE GAGE (90°C CU)	MOP
024K	0	14.8	14	20	—	—	—	—	—	—
	5	26.6	10	30	—	—	—	—	—	—
	8	41.2	8	45	—	—	—	—	—	—
	10	51.6	8	60	—	—	—	—	—	—
030K	0	16.3	12	25	—	—	—	—	—	—
	5	26.6	10	30	—	—	—	—	—	—
	8	41.2	8	45	—	—	—	—	—	—
	10	51.6	8	60	—	—	—	—	—	—
	15	76.6	4	80	50	8	60	26.6	10	30
036K	0	22.0	10	35	—	—	—	—	—	—
	5	27.6	10	35	—	—	—	—	—	—
	8	42.2	8	45	—	—	—	—	—	—
	10	52.6	8	60	—	—	—	—	—	—
	15	77.6	4	80	50	8	60	27.6	10	30
042K	0	29.6	10	45	—	—	—	—	—	—
	5	29.6	10	45	—	—	—	—	—	—
	8	43.5	8	45	—	—	—	—	—	—
	10	53.9	8	60	—	—	—	—	—	—
	15	78.9	4	80	50	8	60	28.9	10	30
	20	103.9	3	110	50	8	60	53.9	8	60
048K	0	30.8	8	50	—	—	—	—	—	—
	5	30.8	8	50	—	—	—	—	—	—
	8	43.5	8	50	—	—	—	—	—	—
	10	53.9	8	60	—	—	—	—	—	—
	15	78.9	4	80	50	8	60	28.9	10	30
	20	103.9	3	110	50	8	60	53.9	8	60

MODEL P7RD-	HEATER (KW)	SINGLE CIRCUIT MCA	REC, WIRE GAGE (90°C CU)	MOP	MULTIPLE SUPPLY CIRCUIT OPTION					
					CIRCUIT A (COMPRESSOR & FAN)			CIRCUIT B (BLOWER & HEATER)		
					MCA	REC, WIRE GAGE (90°C CU)	MOP	MCA	REC, WIRE GAGE (90°C CU)	MOP
024K*	0	14.5	14	20	—	—	—	—	—	—
	5	26.6	10	30	—	—	—	—	—	—
	8	41.2	8	45	—	—	—	—	—	—
	10	51.6	8	60	—	—	—	—	—	—
030K*	0	15.1	12	25	—	—	—	—	—	—
	5	26.6	10	30	—	—	—	—	—	—
	8	41.2	8	45	—	—	—	—	—	—
	10	51.6	8	60	—	—	—	—	—	—
	15	76.6	4	80	50	8	60	26.6	10	30

*NOTE: Compressors changed for these models. MCA changed for the units with no heater kits, MOP did not change.

Table 16. P7RD (2, 2.5, 3, 3.5, & 4 Ton)

P7RD-A SERIES - 208/230V - SINGLE PHASE MODELS										
MODEL P7RD-	HEATER (KW)	SINGLE CIRCUIT			MULTIPLE SUPPLY CIRCUIT OPTION					
		MCA	REC, WIRE GAGE (90°C CU)	MOP	CIRCUIT A (COMPRESSOR & FAN)			CIRCUIT B (BLOWER & HEATER)		
					MCA	REC, WIRE GAGE (90°C CU)	MOP	MCA	REC, WIRE GAGE (90°C CU)	MOP
024KA	0	16.8	12	25	—	—	—	—	—	—
	5	29.8	10	30	—	—	—	—	—	—
	8	44.3	8	45	—	—	—	—	—	—
	10	54.8	8	60	—	—	—	—	—	—
030KA	0	17.4	4	25	—	—	—	—	—	—
	5	29.8	10	30	—	—	—	—	—	—
	8	44.3	8	45	—	—	—	—	—	—
	10	54.8	8	60	—	—	—	—	—	—
	15	79.8	4	80	54.8	8	60	25	10	30
036KA	0	23.7	10	35	—	—	—	—	—	—
	5	29.8	10	35	—	—	—	—	—	—
	8	44.3	8	45	—	—	—	—	—	—
	10	54.8	8	60	—	—	—	—	—	—
	15	79.8	4	80	54.8	8	60	25	10	30
042KA	0	31.9	8	50	—	—	—	—	—	—
	5	31.9	8	50	—	—	—	—	—	—
	8	46.3	8	50	—	—	—	—	—	—
	10	56.8	6	60	—	—	—	—	—	—
	15	81.8	4	90	56.8	6	60	25	10	30
	20	106.8	3	110	56.8	6	60	50	8	60
048KA	0	37.3	8	60	—	—	—	—	—	—
	5	37.3	8	60	—	—	—	—	—	—
	8	46.3	8	60	—	—	—	—	—	—
	10	56.8	6	60	—	—	—	—	—	—
	15	81.8	4	90	56.8	6	60	25	10	30
	20	106.8	3	110	56.8	6	60	50	8	60
060KA	0	45.3	8	70	—	—	—	—	—	—
	5	45.3	8	70	—	—	—	—	—	—
	8	48.3	8	70	—	—	—	—	—	—
	10	58.8	6	70	—	—	—	—	—	—
	15	83.8	4	90	58.8	6	70	25	10	30
	20	108.8	3	110	58.8	6	70	50	8	60

Table 17. P7RD-A (2, 2.5, 3, 3.5, 4, & 5 Ton)

P7RE SERIES - 208/230V - SINGLE PHASE MODELS										
MODEL NUMBER P7RE-	HEATER KW	SINGLE CIRCUIT			MULTIPLE SUPPLY CIRCUIT OPTION					
		MCA	REC, WIRE GAGE (90° C CU)	MOP	CIRCUIT A (COMPRESSOR & FAN)			CIRCUIT B (BLOWER & HEATER)		
					MCA	REC, WIRE GAGE (90° C CU)	MOP	MCA	REC, WIRE GAGE (90° C CU)	MOP
024K	0	15.2	12	20	—	—	—	—	—	—
	5	29.8	10	30	—	—	—	—	—	—
	8	44.3	8	45	—	—	—	—	—	—
	10	54.8	8	60	—	—	—	—	—	—
030K	0	17.2	12	25	—	—	—	—	—	—
	5	29.8	10	30	—	—	—	—	—	—
	8	44.3	8	45	—	—	—	—	—	—
	10	54.8	8	60	—	—	—	—	—	—
	15	79.8	4	80	54.8	8	60	25.0	10	30
036K	0	25.7	10	40	—	—	—	—	—	—
	5	29.8	10	40	—	—	—	—	—	—
	8	44.3	8	45	—	—	—	—	—	—
	10	54.8	8	60	—	—	—	—	—	—
	15	79.8	4	80	54.8	8	60	25.0	10	30
042K	0	29.3	10	45	—	—	—	—	—	—
	5	31.8	8	45	—	—	—	—	—	—
	8	46.3	8	50	—	—	—	—	—	—
	10	56.8	6	60	—	—	—	—	—	—
	15	81.8	4	90	56.8	6	60	25	10	30
	20	106.8	3	110	56.8	6	60	50	8	60
048K	0	34.2	8	50	—	—	—	—	—	—
	5	34.2	8	50	—	—	—	—	—	—
	8	46.3	8	50	—	—	—	—	—	—
	10	56.8	6	60	—	—	—	—	—	—
	15	81.8	4	90	56.8	6	60	25	10	30
	20	106.8	3	110	56.8	6	60	50	8	60
060K	0	38.9	8	60	—	—	—	—	—	—
	5	38.9	8	60	—	—	—	—	—	—
	8	48.3	8	60	—	—	—	—	—	—
	10	58.8	6	60	—	—	—	—	—	—
	15	83.8	4	90	58.8	6	60	25	10	30
	20	108.8	3	110	58.8	6	60	50	8	60

Table 18. P7RE (2, 2.5, 3, 3.5, 4, & 5 Ton)

MODE NUMBER P8SE-	HEATER INSTALLED NOM. KW	SINGLE CIRCUIT			MULTIPLE SUPPLY CIRCUIT OPTION								
		MCA	REC, WIRE GAGE (90° C CU)	MOP	CIRCUIT A (COMPRESSOR, BLOWER, & FAN)			CIRCUIT B (HEATER ONLY)			CIRCUIT C (HEATER ONLY)		
					MCA	REC, WIRE GAGE (90° C CU)	MOP	MCA	REC, WIRE GAGE (90° C CU)	MOP	MCA	REC, WIRE GAGE (90° C CU)	MOP
X36K	0	28.5	10	45	—	—	—	—	—	—	—	—	—
	5	29.8	10	45	—	—	—	—	—	—	—	—	—
	8	44.3	8	45	28.5	10	45	39.6	8	40	—	—	—
	10	54.8	8	60	28.5	10	45	50	8	60	—	—	—
	15	79.8	4	80	28.5	10	45	79.8	4	80	—	—	—
X48K	0	34.1	8	50	—	—	—	—	—	—	—	—	—
	5	34.1	8	50	—	—	—	—	—	—	—	—	—
	8	46.3	8	50	34.1	8	50	39.6	8	40	—	—	—
	10	56.8	6	60	34.1	8	50	50	8	60	—	—	—
	15	81.8	4	90	34.1	8	50	75	6	80	—	—	—
	15 (3 CIR)	—	—	—	34.1	8	50	25	10	30	50	8	60
	20	106.8	3	110	56.8	6	60	50	8	60	—	—	—
20 (3 Cir)	—	—	—	34.1	8	50	50	8	60	50	8	60	
X60K	0	43.5	8	70	—	—	—	—	—	—	—	—	—
	5	43.5	8	70	—	—	—	—	—	—	—	—	—
	8	46.3	8	70	43.5	8	70	39.6	8	40	—	—	—
	10	56.8	6	70	43.5	8	70	50	8	60	—	—	—
	15	81.8	4	90	43.5	8	70	75	6	80	—	—	—
	15 (3 Cir)	—	—	—	43.5	8	70	25	10	30	50	8	60
	20	106.8	3	110	43.5	8	70	100	3	110	—	—	—
	20 (3 Cir)	—	—	—	43.5	8	70	50	8	60	50	8	60

Table 19. P8SE (3, 4, & 5 Ton)

Q5RD SERIES - 208/230V - SINGLE PHASE MODELS													
MODEL Q5RD-	HEATER KW	MCA	REC, WIRE GAGE (90° C CU)	MOP	CIRCUIT A (COMPRESSOR & BLOWER)			CIRCUIT B (FAN & HEATER)			CIRCUIT C (HEATER ONLY)		
					MCA	REC, WIRE GAGE (90° C CU)	MOP	MCA	REC, WIRE GAGE (90° C CU)	MOP	MCA	REC, WIRE GAGE (90° C CU)	MOP
024K	0	18.1	12	30	—	—	—	—	—	—	—	—	—
	5	43.1	8	50	—	—	—	—	—	—	—	—	—
	8	57.7	6	60	—	—	—	—	—	—	—	—	—
	10	68.1	6	70	17.1	12	25	51	8	60	—	—	—
030K	0	22.2	10	35	—	—	—	—	—	—	—	—	—
	5	47.2	8	50	—	—	—	—	—	—	—	—	—
	8	61.8	6	70	20.8	10	35	41	8	45	—	—	—
	10	72.2	6	80	20.8	10	35	51.4	8	60	—	—	—
	15	97.2	3	100	45.8	8	50	51.4	8	60	—	—	—
036KA	0	26.5	10	45	—	—	—	—	—	—	—	—	—
	5	51.5	8	60	—	—	—	—	—	—	—	—	—
	8	66	6	70	25.4	10	40	40.7	8	45	—	—	—
	10	76.5	4	80	25.4	10	40	51.1	8	60	—	—	—
	15	101.5	3	110	50.4	8	60	51.1	8	60	—	—	—
048KA	0	34.9	8	50	—	—	—	—	—	—	—	—	—
	5	59.9	6	70	33.5	8	50	26.5	10	30	—	—	—
	8	74.5	6	90	33.5	8	50	41	8	45	—	—	—
	10	84.9	4	90	33.5	8	50	51.5	8	60	—	—	—
	15	109.9	3	110	58.5	6	70	51.5	8	60	—	—	—
	20 (3 cir.)	—	—	—	33.5	8	50	51.5	8	60	50	8	60

Table 20. Q5RD w/ PSC Motor (2 & 2.5 Ton)

Q5RD SERIES - 208/230V - SINGLE PHASE MODELS													
MODEL NUMBER Q5RD	HEATER KW	MCA	REC, WIRE GAGE (90° C CU)	MOP	CIRCUIT A (COMPRESSOR, BLOWER & FAN)			CIRCUIT B (HEATER ONLY)			CIRCUIT C (HEATER ONLY)		
					MCA	REC, WIRE GAGE (90° C CU)	MOP	MCA	REC, WIRE GAGE (90° C CU)	MOP	MCA	REC, WIRE GAGE (90° C CU)	MOP
036K	0	28.5	10	45	—	—	—	—	—	—	—	—	—
	5	53.5	8	60	—	—	—	—	—	—	—	—	—
	8	68	6	70	28.5	10	45	39.6	8	40	—	—	—
	10	78.5	4	80	28.5	10	45	50	8	60	—	—	—
	15	103.5	3	110	53.5	8	60	50	8	60	—	—	—
042K	0	32.2	8	50	—	—	—	—	—	—	—	—	—
	5	57.2	6	70	—	—	—	—	—	—	—	—	—
	8	71.8	6	80	32.2	8	50	39.6	8	40	—	—	—
	10	82.2	4	90	32.2	8	50	50	8	60	—	—	—
	15	107.2	3	110	57.2	6	70	50	8	60	—	—	—
	20 (3 circuit)	—	—	—	32.2	8	50	50	8	60	50	8	60
048K	0	37.6	8	60	—	—	—	—	—	—	—	—	—
	5	62.6	6	80	37.6	8	60	25	10	30	—	—	—
	8	77.2	4	90	37.6	8	60	39.6	8	40	—	—	—
	10	87.6	4	100	37.6	8	60	50	8	60	—	—	—
	15	112.6	2	125	62.6	6	80	50	8	60	—	—	—
	20 (3 circuit)	—	—	—	37.6	8	60	50	8	60	50	8	60
060K	0	40.5	8	60	—	—	—	—	—	—	—	—	—
	5	65.5	6	80	40.5	8	60	25	10	30	—	—	—
	8	80.1	4	90	40.5	8	60	39.6	8	40	—	—	—
	10	90.5	4	100	40.5	8	60	50	8	60	—	—	—
	15	115.5	2	125	65.5	6	80	50	8	60	—	—	—
	20 (3 circuit)	—	—	—	40.5	8	60	50	8	60	50	8	60

Table 21. Q5RD w/ ECM Motor (3, 3.5, 4, & 5 Ton)

Q5RF SERIES - 208/230V - SINGLE PHASE MODELS													
MODEL NUMBER Q5RF	HEATER KW	MCA	REC, WIRE GAGE (90° C CU)	MOP	CIRCUIT A (COMPRESSOR, BLOWER & FAN)			CIRCUIT B (HEATER ONLY)			CIRCUIT C (HEATER ONLY)		
					MCA	REC, WIRE GAGE (90° C CU)	MOP	MCA	REC, WIRE GAGE (90° C CU)	MOP	MCA	REC, WIRE GAGE (90° C CU)	MOP
X24K	0	18.1	12	25	—	—	—	—	—	—	—	—	—
	5	43.1	8	45	—	—	—	—	—	—	—	—	—
	8	57.6	6	60	—	—	—	—	—	—	—	—	—
	10	68.1	6	70	18.1	12	25	50	8	60	—	—	—
X36K	0	26.1	10	40	—	—	—	—	—	—	—	—	—
	5	51.1	8	60	—	—	—	—	—	—	—	—	—
	8	65.6	6	70	26.1	10	40	39.6	8	40	—	—	—
	10	76.1	4	80	26.1	10	40	50	8	60	—	—	—
	15	101.1	3	110	51.1	8	60	50	8	60	—	—	—
X48K	0	37.7	8	50	—	—	—	—	—	—	—	—	—
	5	62.7	6	70	37.7	8	50	25	10	30	—	—	—
	8	77.3	4	90	37.7	8	50	39.6	8	40	—	—	—
	10	87.7	4	90	37.7	8	50	50	8	60	—	—	—
	15	112.7	2	125	62.7	6	70	50	8	60	—	—	—
	20	137.7	1	150	—	—	—	—	—	—	—	—	—
	20 (3 circuit)	—	—	—	37.7	8	50	50	8	60	50	8	60
X60K	0	40.1	8	60	—	—	—	—	—	—	—	—	—
	5	65.1	6	80	40.1	8	60	25	10	30	—	—	—
	8	79.6	4	90	40.1	8	60	39.6	8	40	—	—	—
	10	90.1	4	100	40.1	8	60	50	8	60	—	—	—
	15	115.1	2	125	65.1	6	80	50	8	60	—	—	—
	20	140.1	1	150	—	—	—	—	—	—	—	—	—
	20 (3 circuit)	—	—	—	40.1	8	60	50	8	60	50	8	60

Table 22. Q5RF (3, 3.5, 4, & 5 Ton)

Q5RF-A SERIES - 208/230V - SINGLE PHASE MODELS													
MODEL NUMBER Q5RF	HEATER KW	MCA	REC, WIRE GAGE (90° C CU)	MOP	CIRCUIT A (COMPRESSOR, BLOWER & FAN)			CIRCUIT B (HEATER ONLY)			CIRCUIT C (HEATER ONLY)		
					MCA	REC, WIRE GAGE (90° C CU)	MOP	MCA	REC, WIRE GAGE (90° C CU)	MOP	MCA	REC, WIRE GAGE (90° C CU)	MOP
X24KA	0	19.6	12	30	—	—	—	—	—	—	—	—	—
	5	44.6	8	50	—	—	—	—	—	—	—	—	—
	8	59.2	6	60	—	—	—	—	—	—	—	—	—
	10	69.6	6	70	19.6	12	30	50	8	60	—	—	—
X36KA	0	24.1	10	35	—	—	—	—	—	—	—	—	—
	5	49.1	8	50	—	—	—	—	—	—	—	—	—
	8	63.7	6	70	24.1	10	35	39.6	8	40	—	—	—
	10	74.1	6	80	24.1	10	35	50	8	60	—	—	—
X48KA	15	99.1	3	100	49.1	8	50	50	8	60	—	—	—
	0	35.7	8	50	—	—	—	—	—	—	—	—	—
	5	60.7	6	70	35.7	8	50	25	10	30	—	—	—
	8	75.3	4	80	35.7	8	50	39.6	8	40	—	—	—
	10	85.7	4	90	35.7	8	50	50	6	60	—	—	—
	15	110.7	2	125	60.7	6	70	50	8	60	—	—	—
	20	135.7	1	150	—	—	—	—	—	—	—	—	—
20 (3 circuit)	—	—	—	35.7	8	50	50	8	60	50	8	60	
X60KA	0	45.2	8	70	—	—	—	—	—	—	—	—	—
	5	70.2	6	90	45.2	8	70	25	10	30	—	—	—
	8	84.8	4	100	45.2	8	70	39.6	8	40	—	—	—
	10	95.2	3	110	45.2	8	70	50	8	60	—	—	—
	15	120.2	2	125	70.2	6	90	50	8	60	—	—	—
	20	145.2	1	150	—	—	—	—	—	—	—	—	—
	20 (3 circuit)	—	—	—	45.2	8	70	50	8	60	50	8	60

Table 23. Q5RF-A (3, 3.5, 4, & 5 Ton)

Q7RD SERIES - 208/230V - SINGLE PHASE MODELS									
MODEL NUMBER Q7RD-	HEATER KW	MCA	MOP	CIRCUIT A (COMPRESSOR, BLOWER & FAN)		CIRCUIT B (HEATER ONLY)		CIRCUIT C (HEATER ONLY)	
				MCA	MOP	MCA	MOP	MCA	MOP
024K	0	16.9	25	—	—	—	—	—	—
	5	41.9	45	—	—	—	—	—	—
	8	56.5	60	16.9	25	39.6	40	—	—
	10	66.9	70	16.9	25	50	60	—	—
030K	0	17.5	25	—	—	—	—	—	—
	5	42.5	45	—	—	—	—	—	—
	8	57.1	60	17.5	25	39.6	40	—	—
	10	67.5	70	17.5	25	50	60	—	—
	15	92.5	100	42.5	45	50	60	—	—
036K	0	23.7	35	—	—	—	—	—	—
	5	48.7	50	—	—	—	—	—	—
	8	63.2	70	23.7	35	39.6	40	—	—
	10	73.7	80	23.7	35	50	60	—	—
	15	98.7	100	48.7	50	50	60	—	—
042K	0	29.3	45	—	—	—	—	—	—
	5	54.3	60	—	—	—	—	—	—
	8	68.9	70	29.3	45	39.6	40	—	—
	10	79.3	80	29.3	45	50	60	—	—
	15	104.3	110	54.3	60	50	60	—	—
	20	129.3	150	—	—	—	—	—	—
	20 (3 circuit)	—	—	29.3	45	50.0	60	50	60
048K	0	34.2	50	—	—	—	—	—	—
	5	59.2	70	—	—	—	—	—	—
	8	73.7	80	34.2	50	39.6	40	—	—
	10	84.2	90	34.2	50	50	60	—	—
	15	109.2	110	59.2	70	50	60	—	—
	20	134.2	150	—	—	—	—	—	—
	20 (3 circuit)	—	—	34.2	50	50	60	50	60
060K	0	39.9	50	—	—	—	—	—	—
	5	64.9	70	—	—	—	—	—	—
	8	79.5	80	39.9	50	39.6	40	—	—
	10	89.9	90	39.9	50	50	60	—	—
	15	114.9	125	64.9	70	50	60	—	—
	20	139.9	150	—	—	—	—	—	—
	20 (3 circuit)	—	—	39.9	50	50	60	50	60

Table 24. Q7RD (2, 2.5, 3, 3.5 4, & 5 Ton)

Q6SD SERIES - 208/230V - SINGLE PHASE MODELS

MODEL Q6SD-	HEATER KW	SINGLE CIRCUIT			MULTIPLE SUPPLY CIRCUIT OPTION									
		MCA	REC, WIRE GAGE (90° C CU)	MOP	CIRCUIT A (COMPRESSOR, BLOWER & FAN)			CIRCUIT B (HEATER ONLY)			CIRCUIT C (HEATER ONLY)			
					MCA	REC, WIRE GAGE (90° C CU)	MOP	MCA	REC, WIRE GAGE (90° C CU)	MOP	MCA	REC, WIRE GAGE (90° C CU)	MOP	
X24K	0	21.1	10	30	—	—	—	—	—	—	—	—	—	—
	5	46.1	8	50	21.1	—	—	—	—	—	—	—	—	—
	8	60.7	6	70	21.1	10	30	39.6	8	40	—	—	—	—
	10	71.1	6	80	21.1	10	30	50	8	60	—	—	—	—
	15	96.1	3	100	21.1	10	30	50	8	60	25.0	10	30	—
X30K	0	24.7	10	40	—	—	—	—	—	—	—	—	—	—
	5	49.7	8	60	—	—	—	—	—	—	—	—	—	—
	8	64.3	6	70	24.7	10	40	39.6	8	40	—	—	—	—
	10	74.7	6	80	24.7	10	40	50	8	60	—	—	—	—
	15	99.7	3	100	24.7	10	40	50	8	60	25.0	10	30	—
X36K	0	28.6	10	45	—	—	—	—	—	—	—	—	—	—
	5	53.6	8	60	—	—	—	—	—	—	—	—	—	—
	8	68.1	6	70	28.6	10	45	39.6	8	40	—	—	—	—
	10	78.6	4	80	28.6	10	45	50	8	60	—	—	—	—
	15	103.6	3	110	28.6	10	45	50	8	60	25.0	10	30	—
X42K	0	32.9	8	50	—	—	—	—	—	—	—	—	—	—
	5	57.9	6	70	32.9	8	50	25	10	30	—	—	—	—
	8	72.5	6	80	32.9	8	50	39.6	8	40	—	—	—	—
	10	82.9	4	90	32.9	8	50	50	8	60	—	—	—	—
	15	107.9	3	110	32.9	8	50	50	8	60	25.0	10	30	—
	20	132.9	1	150	32.9	8	50	50	8	60	50.0	8	60	—
X48K	0	37.6	8	60	—	—	—	—	—	—	—	—	—	—
	5	62.6	6	80	37.6	8	60	25.0	10	30	—	—	—	—
	8	77.2	4	90	37.6	8	60	39.6	8	40	—	—	—	—
	10	87.6	4	100	37.6	8	60	50.0	8	60	—	—	—	—
	15	112.6	2	125	37.6	8	60	50.0	8	60	25.0	10	30	—
	20	137.6	1	150	37.6	8	60	50.0	8	60	50.0	8	60	—
X60K	0	44.1	8	70	—	—	—	—	—	—	—	—	—	—
	5	69.1	6	90	44.1	8	70	25.0	10	30	—	—	—	—
	8	83.7	4	100	44.1	8	70	39.6	8	40	—	—	—	—
	10	94.1	4	110	44.1	8	70	50.0	8	60	—	—	—	—
	15	119.1	2	125	44.1	8	70	50.0	8	60	25.0	10	30	—
	20	144.1	1	150	44.1	8	70	50.0	8	60	50.0	8	60	—

NOTE: All circuitry has been changed due to routing the X-13 motors to the contactor.

Table 25. Q6SD, Single Phase, 208/230V

Q6SD SERIES - 208/230V - 3 PHASE MODELS										
MODEL Q6SD-	HEATER KW	SINGLE CIRCUIT			MULTIPLE SUPPLY CIRCUIT OPTION					
		MCA	REC, WIRE GAGE (90° C CU)	MOP	CIRCUIT A (COMPRESSOR, BLOWER & FAN)			CIRCUIT B (HEATER ONLY)		
					MCA	REC, WIRE GAGE (90° C CU)	MOP	MCA	REC, WIRE GAGE (90° C CU)	MOP
X36C	0	19.8	12	30	—	—	—	—	—	—
	9	46.9	8	50	—	—	—	—	—	—
	15	65.0	6	70	19.8	12	30	45.2	8	50
X48C	0	26.3	10	40	—	—	—	—	—	—
	9	53.4	8	60	—	—	—	—	—	—
	15	71.5	6	80	26.3	10	10	45.2	8	50
X60C	0	29.3	10	45	—	—	—	—	—	—
	9	56.3	6	60	—	—	—	—	—	—
	15	74.4	6	80	29.3	10	45	45.2	8	50

NOTE: All circuitry has been changed due t routing the X-13 motors to the contactor.

Table 26. Q6SD, 3-Phase, 208/230V

Q6SD SERIES - 460V - 3 PHASE MODELS				
MODEL Q6SD-	HEATER KW	SINGLE CIRCUIT		
		MCA	REC, WIRE GAGE (90° C CU)	MOP
X36D	0	10.7	14	15
	9	24.8	10	25
	15	34.2	8	35
X48D	0	12.4	14	15
	9	26.5	10	30
	15	36	8	40
X60D	0	14.8	14	15
	9	28.9	10	30
	15	38.3	8	40

NOTE: All circuitry has been changed due to routing the X-13 motors to the contactor.

Table 27. Q6SD, 3-Phase, 460V

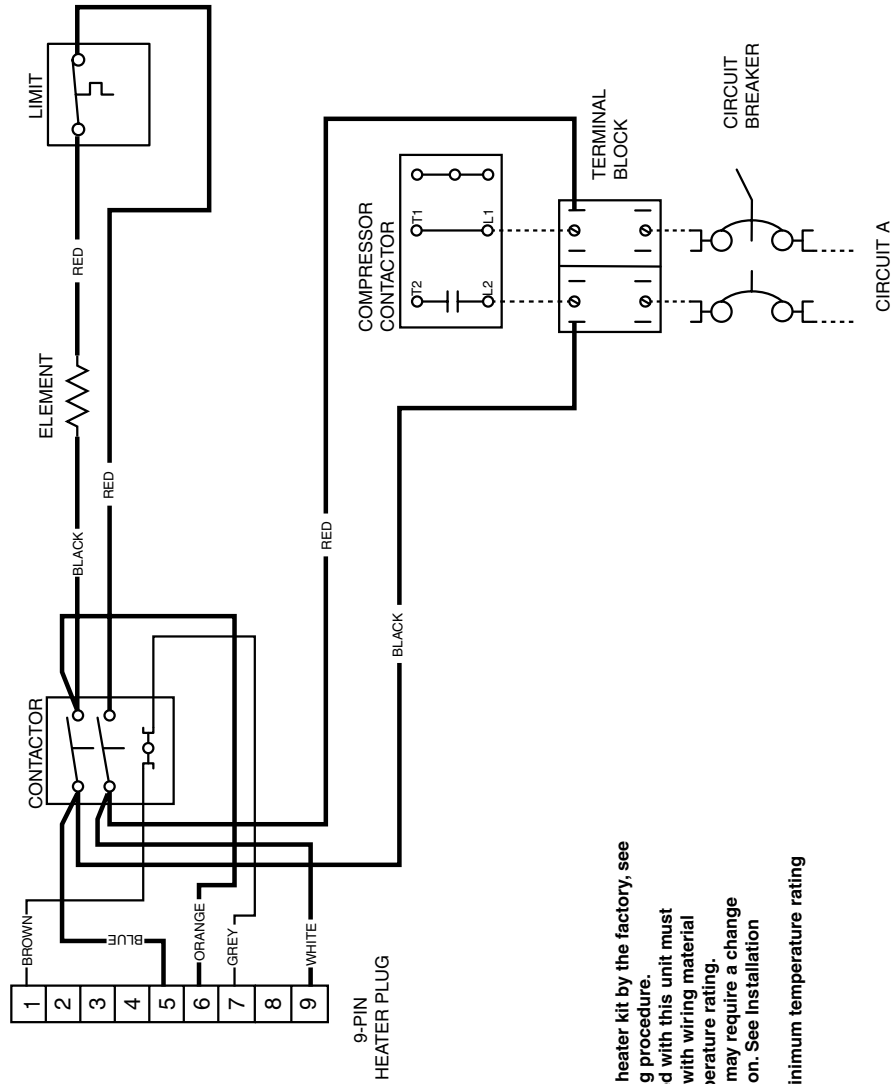
WIRING DIAGRAMS

WIRING DIAGRAM

H3HK005H-01C

240VAC

5 kW, 1-Circuit, 1-Phase Electric Heater Kit



- NOTES:**
1. Circuit breakers are not wired to heater kit by the factory, see installation instructions for wiring procedure.
 2. If any of the original wire supplied with this unit must be replaced, it must be replaced with wiring material of the same gauge size and temperature rating. The installation of this heater kit may require a change in the blower speed tap connection. See installation instructions for details.
 3. Use copper conductors with a minimum temperature rating of 60 C for supply connections.

LEGEND:

FIELD WIRING - - - - -
 LOW VOLTAGE ————
 HIGH VOLTAGE ————



7114400

08/14

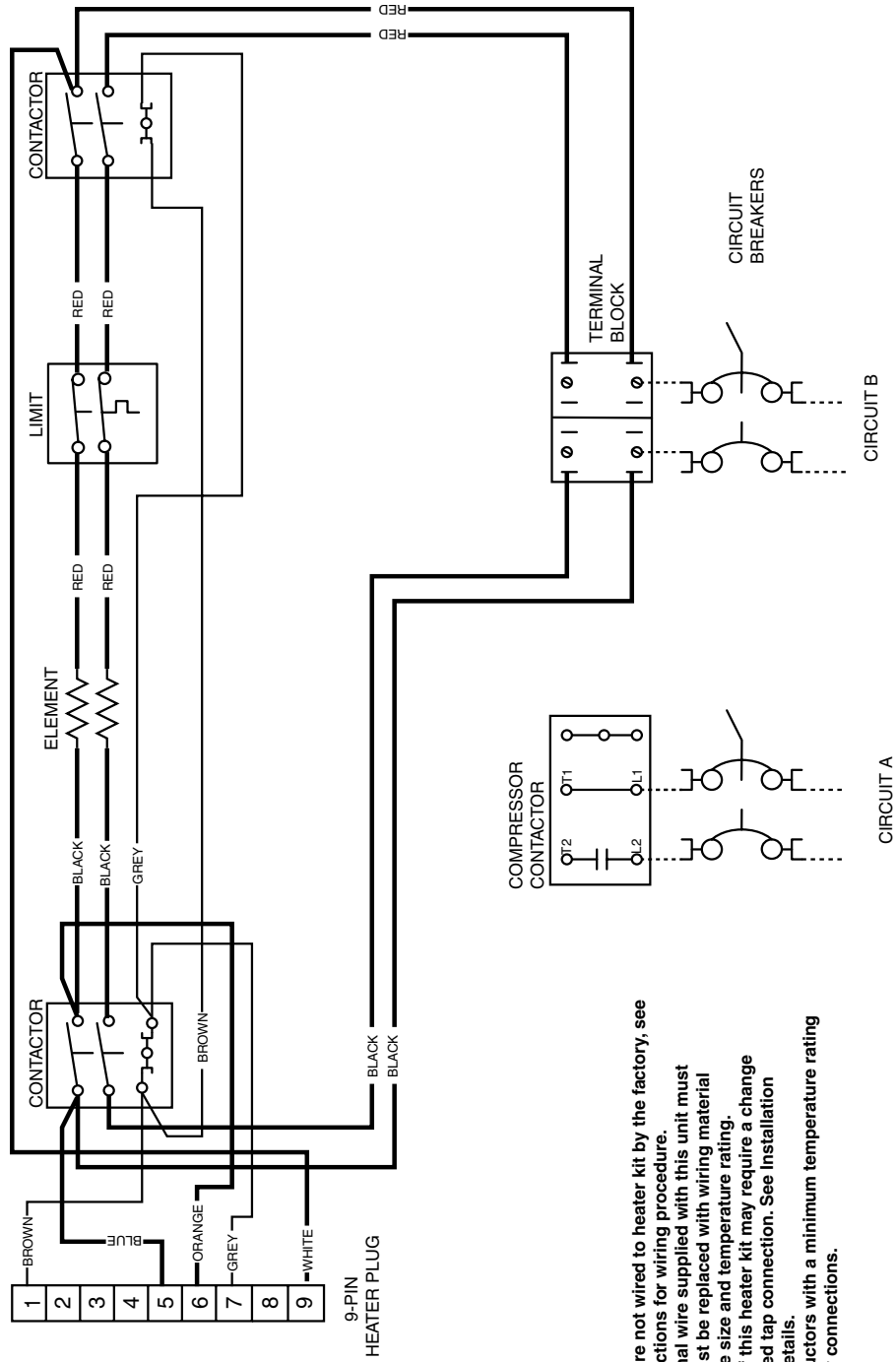
Figure 4. Single Phase, 5kW, 1 Circuit W.D.

WIRING DIAGRAM

H3HK008H-01C
H3HK010H-01C

240VAC

8 kW, 10 kW, 2-Circuit, 1-Phase Electric Heater Kit



- NOTES:**
1. Circuit breakers are not wired to heater kit by the factory, see installation instructions for wiring procedure.
 2. If any of the original wire supplied with this unit must be replaced, it must be replaced with wiring material of the same gauge size and temperature rating. The installation of this heater kit may require a change in the blower speed tap connection. See installation instructions for details.
 3. Use copper conductors with a minimum temperature rating of 60 C for supply connections.



7114430

08/14

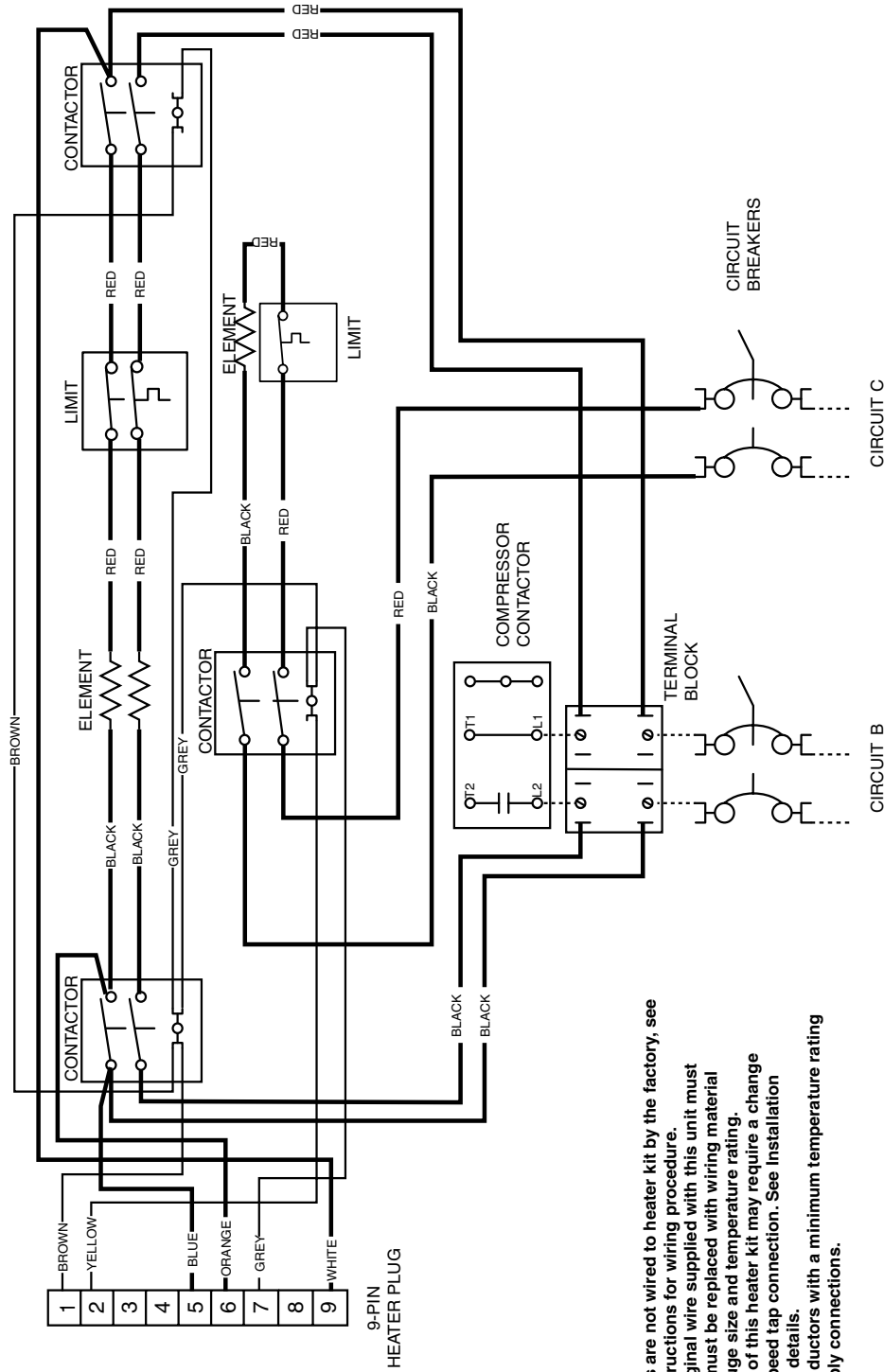
Figure 7. Single Phase, 8kW & 10 kW, 2 Circuit W.D.

WIRING DIAGRAM

H3HK015H-01C
H3HK015H-21C

240VAC

15 kW, 2-Circuit, AC, 1-Phase Electric Heater Kit



- NOTES:**
1. Circuit breakers are not wired to heater kit by the factory, see installation instructions for wiring procedure.
 2. If any of the original wire supplied with this unit must be replaced, it must be replaced with wiring material of the same gauge size and temperature rating. The installation of this heater kit may require a change in the blower speed tap connection. See installation instructions for details.
 3. Use copper conductors with a minimum temperature rating of 60 C for supply connections.

LEGEND:



7114440

08/14

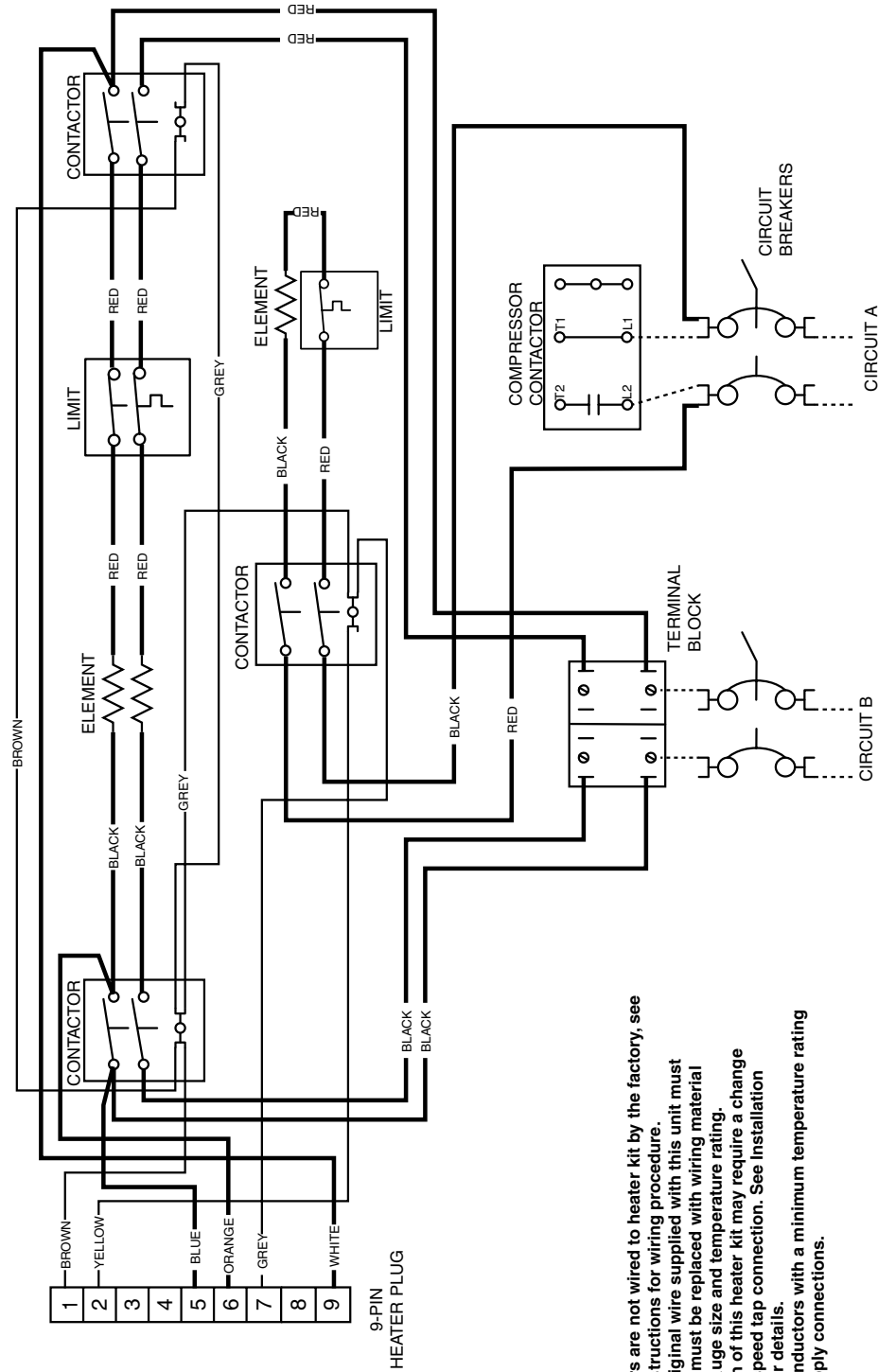
Figure 8. Single Phase, 15 kW, 3 Circuit, AC W.D.

WIRING DIAGRAM

H3HK015H-01C
H3HK015H-21C

240VAC

15 kW, 2-Circuit, HP, 1-Phase Electric Heater Kit



- NOTES:**
1. Circuit breakers are not wired to heater kit by the factory, see Installation instructions for wiring procedure.
 2. If any of the original wire supplied with this unit must be replaced, it must be replaced with wiring material of the same gauge size and temperature rating. The installation of this heater kit may require a change in the blower speed tap connection. See Installation instructions for details.
 3. Use copper conductors with a minimum temperature rating of 60 C for supply connections.

LEGEND:

---	FIELD WIRING
—	LOW VOLTAGE
—	HIGH VOLTAGE



7114450

0814

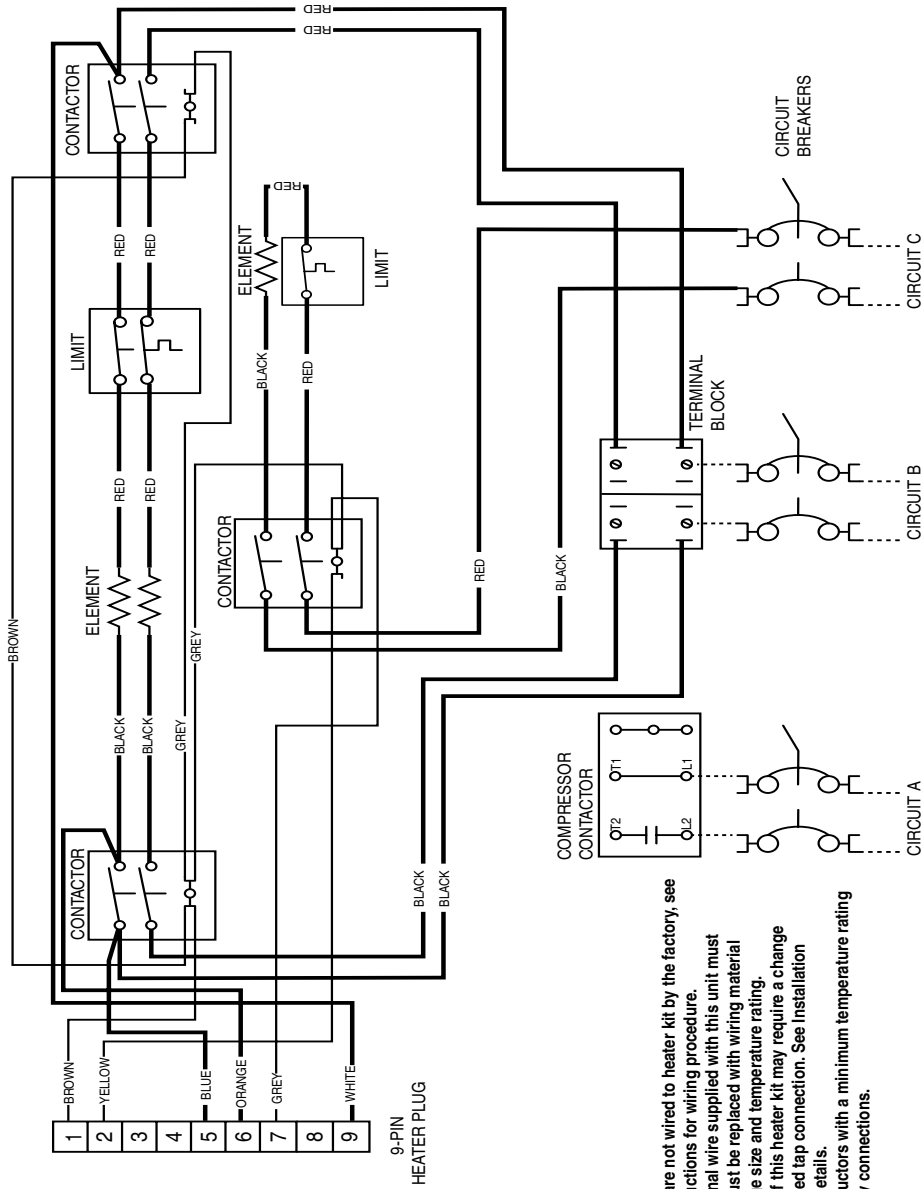
Figure 9. Single Phase, 15 kW, 2 Circuit, HP W.D.

WIRING DIAGRAM

H3HK015H-01C
H3HK015H-21C

240VAC

15 kW, 3-Circuit, 1-Phase Electric Heater Kit



NOTES:

1. Circuit breakers are not wired to heater kit by the factory, see Installation Instructions for wiring procedure.
2. If any of the original wire supplied with this unit must be replaced, it must be replaced with wiring material of the same gauge size and temperature rating. The installation of this heater kit may require a change in the blower speed tap connection. See Installation Instructions for details.
3. Use copper conductors with a minimum temperature rating of 60 C for supply connections.

LEGEND:



7114460

08/14



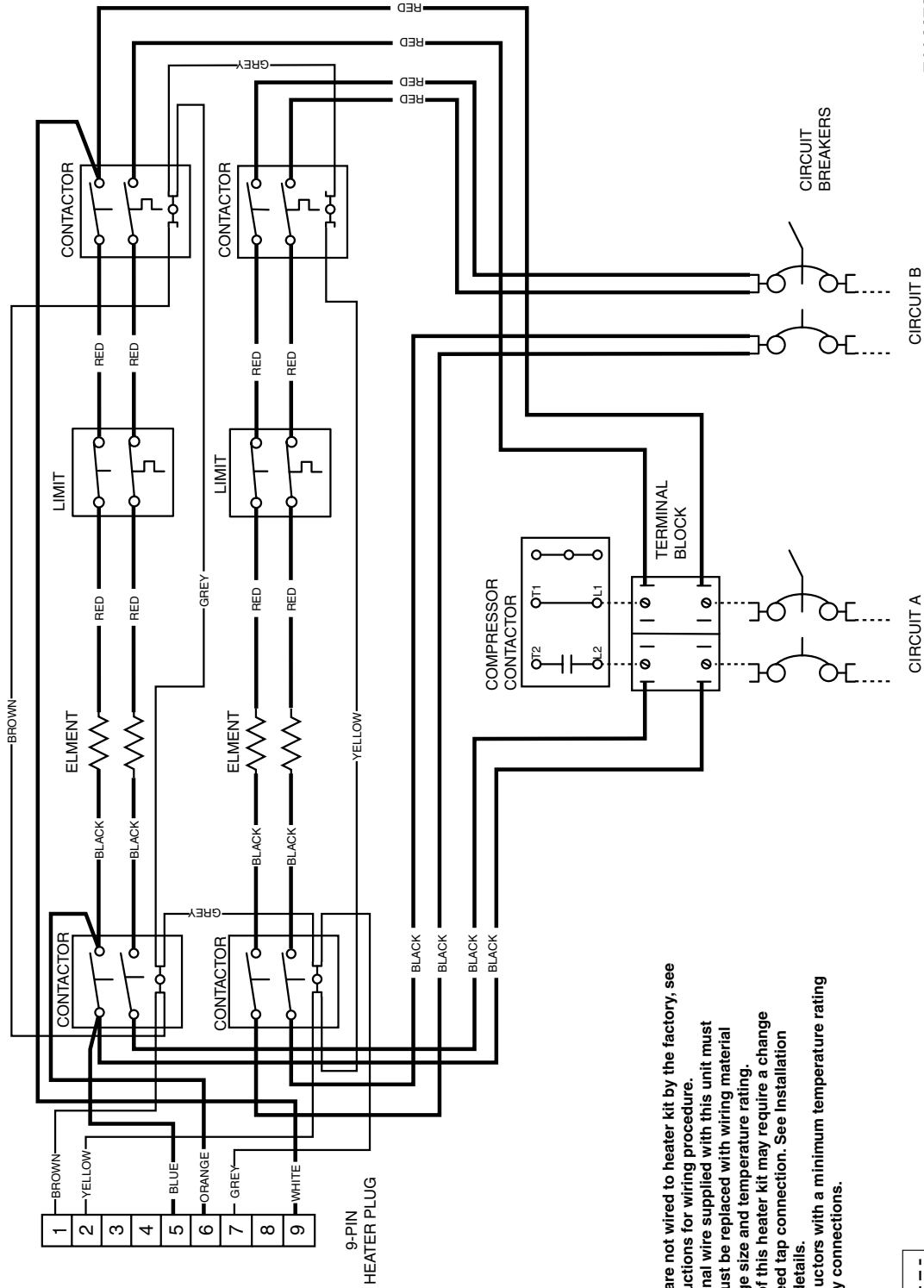
Figure 10. Single Phase, 15 kW, 3 Circuit W.D.

WIRING DIAGRAM

H3HK020H-01C
H3HK020H-21C

240VAC

20 kW, 2-Circuit, 1-Phase Electric Heater Kit



- NOTES:**
1. Circuit breakers are not wired to heater kit by the factory, see installation instructions for wiring procedure.
 2. If any of the original wire supplied with this unit must be replaced, it must be replaced with wiring material of the same gauge size and temperature rating. The installation of this heater kit may require a change in the blower speed tap connection. See installation instructions for details.
 3. Use copper conductors with a minimum temperature rating of 60 C for supply connections.



CIRCUIT B

CIRCUIT A

7114470

08/14

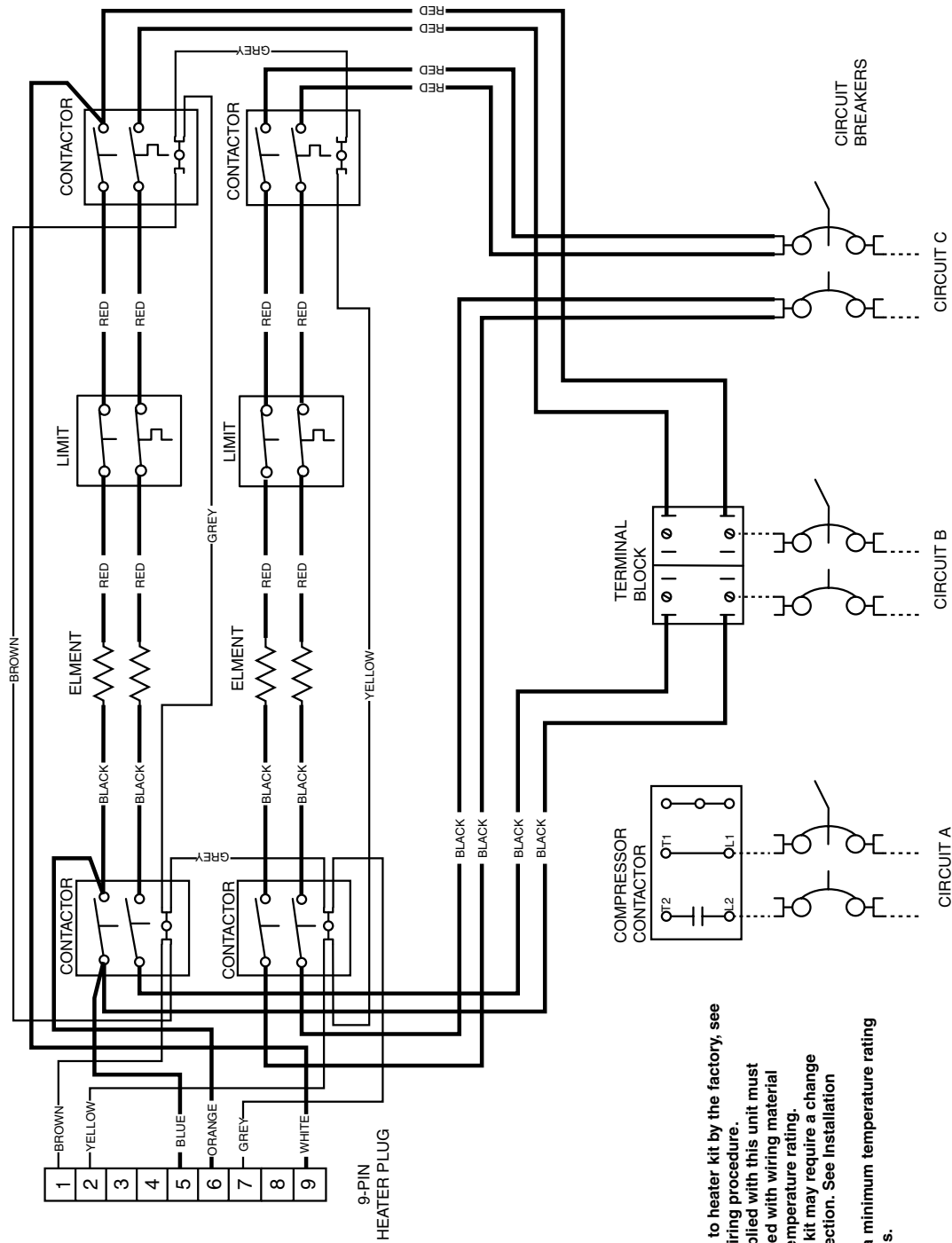
Figure 11. Single Phase, 20 kW, 2 Circuit W.D.

WIRING DIAGRAM

H3HK020H-01C
H3HK020H-21C

240VAC

20 kW, 3-Circuit, 1-Phase Electric Heater Kit



- NOTES:**
1. Circuit breakers are not wired to heater kit by the factory, see installation instructions for wiring procedure.
 2. If any of the original wire supplied with this unit must be replaced, it must be replaced with wiring material of the same gauge size and temperature rating. The installation of this heater kit may require a change in the blower speed tap connection. See installation instructions for details.
 3. Use copper conductors with a minimum temperature rating of 60 C for supply connections.



7114480

08/14

Figure 12. Single Phase, 20 kW, 3 Circuit W.D.

WIRING DIAGRAM

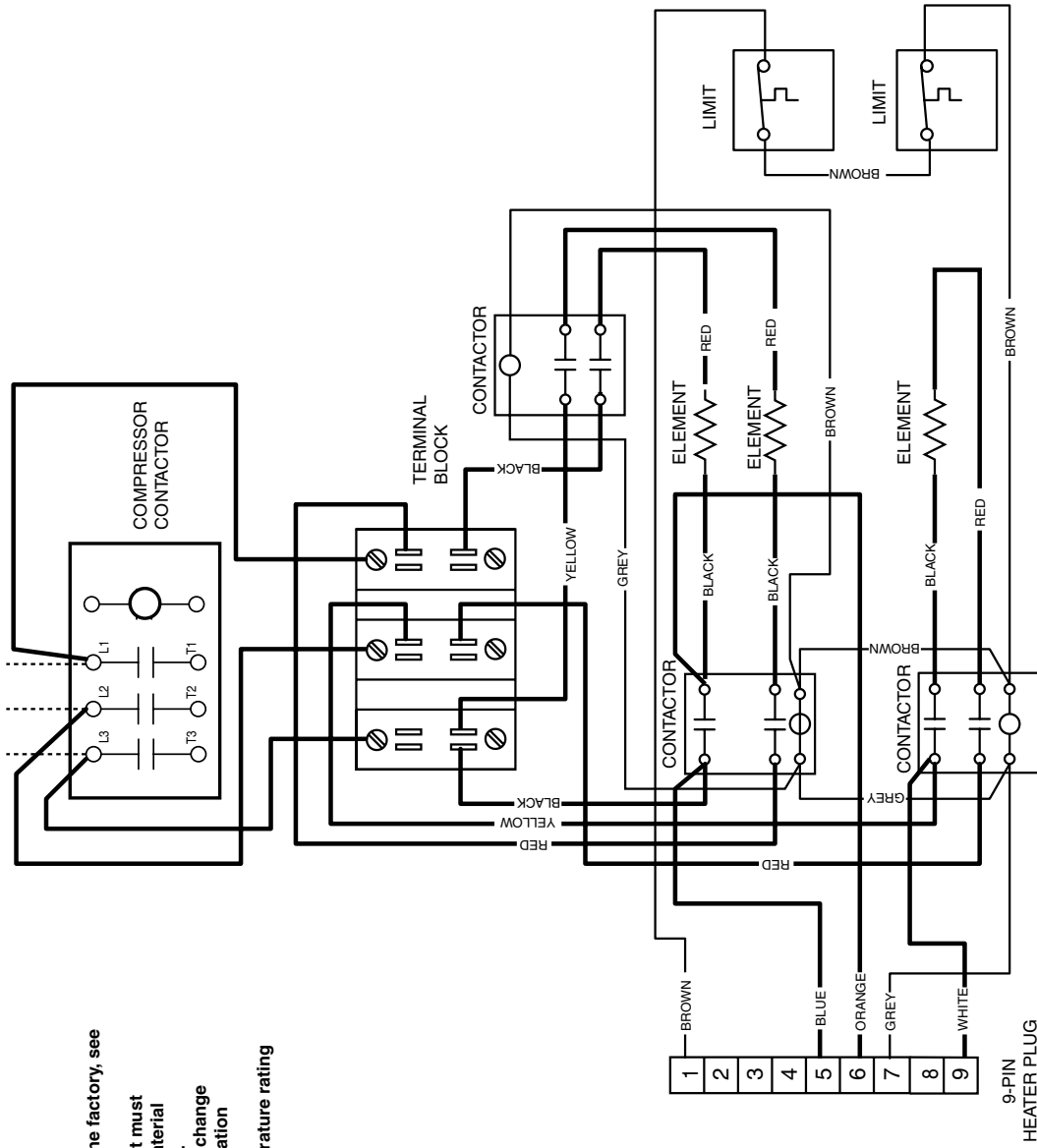
H3HK009Q-01C

208/230VAC

9 kW, 15 kW, 1-Circuit, 3-Phase Electric Heater Kit

NOTES:

1. Circuit breakers are not wired to heater kit by the factory, see Installation Instructions for wiring procedure.
2. If any of the original wire supplied with this unit must be replaced, it must be replaced with wiring material of the same gauge size and temperature rating. The installation of this heater kit may require a change in the blower speed tap connection. See Installation Instructions for details.
3. Use copper conductors with a minimum temperature rating of 60 C for supply connections.



LEGEND:



7114490

08/14

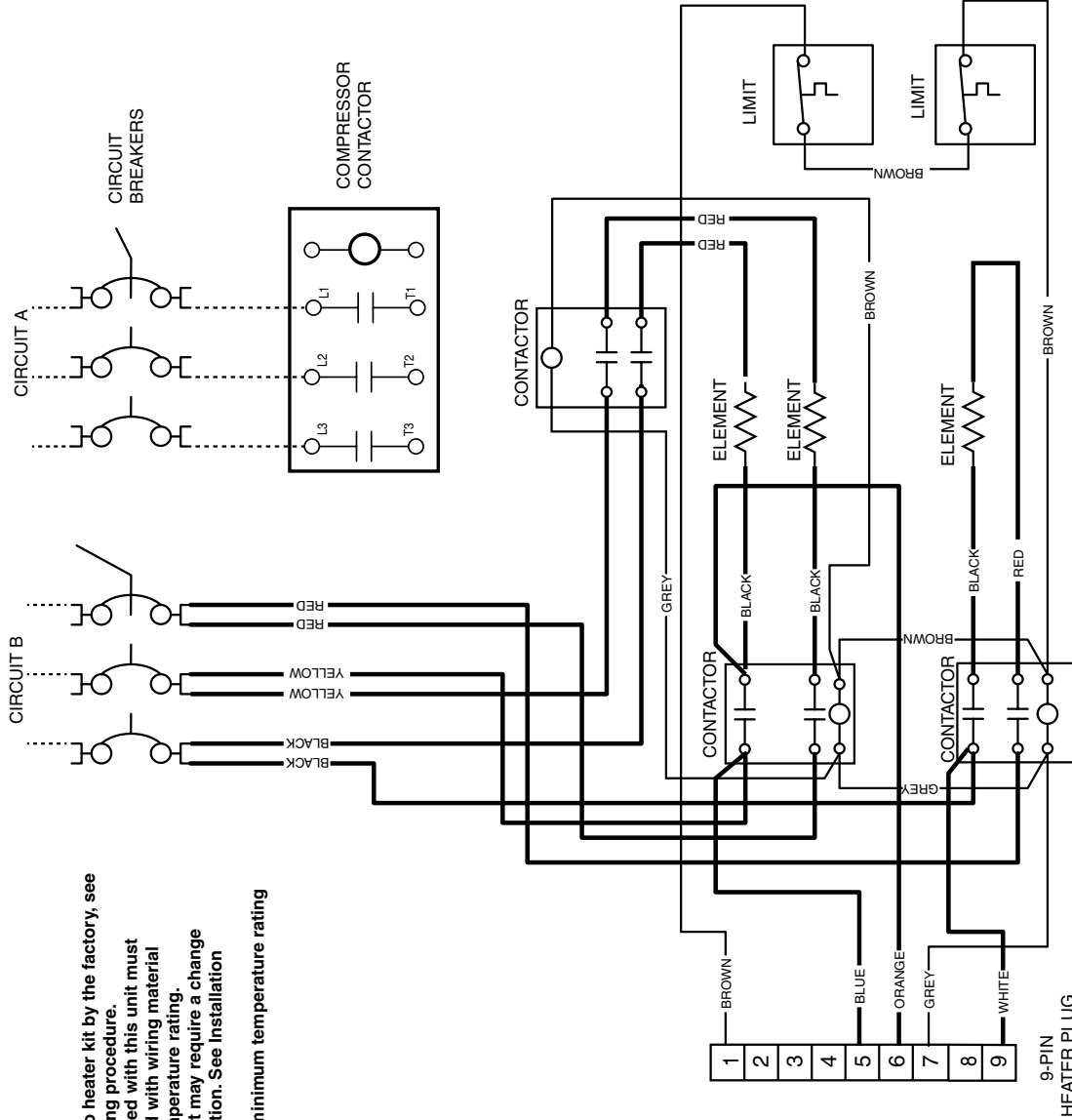
Figure 13. Three Phase, 9 kW & 20 kW, 1 Circuit W.D.

WIRING DIAGRAM

H3HK009Q-01C

208/230VAC

9 kW, 15 kW, 2-Circuit, 3-Phase Electric Heater Kit



- NOTES:**
1. Circuit breakers are not wired to heater kit by the factory, see Installation Instructions for wiring procedure.
 2. If any of the original wire supplied with this unit must be replaced, it must be replaced with wiring material of the same gauge size and temperature rating. The installation of this heater kit may require a change in the blower speed tap connection. See Installation Instructions for details.
 3. Use copper conductors with a minimum temperature rating of 60 C for supply connections.



7114500

08/14

Figure 14. Three Phase, 9 kW & 15 kW, 2 Circuit W.D.

BLOWER DATA

P5RD SERIES SMALL PACK																	
UNIT MODEL	BLOWER SETTING	EXTERNAL STATIC PRESSURE DROP - INCHES WATER COLUMN															
		0.1		0.2		0.3		0.4		0.5		0.6		0.7		0.8	
		CFM	HEAT RISE	CFM	HEAT RISE	CFM	HEAT RISE	CFM	HEAT RISE	CFM	HEAT RISE	CFM	HEAT RISE	CFM	HEAT RISE	CFM	HEAT RISE
X24K	Low*	847	37	808	39	770	41	726	44	664	48	562	56	460	69	536	59
	High**	1104	29	1114	28	1064	30	1010	31	935	34	846	37	710	44	536	59
X30K	Low	847	37	808	39	770	41	726	44	664	48	562	56	460	69	536	59
	High†	1104	29	1114	28	1064	30	1010	31	935	34	846	37	710	44	536	59
X36K	Low†	1318	24	1284	25	1248	25	1207	26	1160	27	1110	28	1043	30	957	33
	High	1551	20	1521	21	1477	21	1434	22	1388	23	1342	24	1263	25	1180	27
X42K	Tap T1	1100	29	900	35	750	42	650	49	580	54	520	61	480	66	455	69
	Tap T2	1208	26	1080	29	1025	31	972	33	926	34	874	36	813	39	752	42
	Tap T3	1262	25	1199	26	1153	27	1110	28	1070	30	1027	31	965	33	906	35
	Tap T4*	1370	23	1333	24	1300	24	1260	25	1230	26	1180	27	1070	30	1010	31
	Tap T5**	1410	22	1340	24	1450	22	1320	24	1280	25	1240	25	1195	26	1150	27
042KA	Low†	1460	22	1440	22	1420	22	1390	23	1360	23	1325	24	1285	25	1235	26
	Med**	1840	17	1815	17	1790	18	1760	18	1715	18	1660	19	1605	20	1535	21
	High	2155	15	2115	15	2065	15	2020	16	1955	16	1895	17	1830	17	1740	18
X48	Tap T1	1480	21	1455	22	1415	22	1390	23	1355	23	1320	24	1290	24	1255	25
	Tap T2**	1575	20	1545	20	1515	21	1475	21	1440	22	1420	22	1385	23	1345	23
	Tap T3*	1635	19	1505	21	1575	20	1545	20	1515	21	1485	21	1455	22	1425	22
	Tap T4	1775	18	1740	18	1715	18	1695	19	1665	19	1635	19	1610	20	1580	20
	Tap T5	2065	15	2040	15	2020	16	1985	16	1960	16	1940	16	1905	17	1850	17
048KA	Low	1460	22	1440	22	1420	22	1390	23	1360	23	1325	24	1285	25	1235	26
	Med†	1840	17	1815	17	1790	18	1760	18	1715	18	1660	19	1605	20	1535	21
	High	2155	15	2115	15	2065	15	2020	16	1955	16	1895	17	1830	17	1740	18
X60	Tap T1	1480	21	1455	22	1415	22	1390	23	1355	23	1320	24	1290	24	1255	25
	Tap T2**	1575	20	1545	20	1515	21	1475	21	1440	22	1420	22	1385	23	1345	23
	Tap T3	1635	19	1505	21	1575	20	1545	20	1515	21	1485	21	1455	22	1425	22
	Tap T4*	1775	18	1740	18	1715	18	1695	19	1665	19	1635	19	1610	20	1580	20
	Tap T5	2065	15	2040	15	2020	16	1985	16	1960	16	1940	16	1905	17	1850	17

NOTES:

Temperature rises shaded gray are for reference only. These conditions are not recommended.

* Denotes factory set cooling speed

** Denotes factory set electric heating speed

† Denotes Factory cooling & electric heating speed

Table 28. P5RD, Single Phase

P5RF SERIES SMALL PACK																	
UNIT MODEL	BLOWER SETTING	EXTERNAL STATIC PRESSURE DROP - INCHES WATER COLUMN															
		0.1		0.2		0.3		0.4		0.5		0.6		0.7		0.8	
		CFM	HEAT RISE	CFM	HEAT RISE	CFM	HEAT RISE	CFM	HEAT RISE	CFM	HEAT RISE	CFM	HEAT RISE	CFM	HEAT RISE	CFM	HEAT RISE
X24K	Tap T1*	990	32	790	40	520	61	—	—	—	—	—	—	—	—	—	—
	Tap T2	1030	31	850	37	560	56	440	72	385	82	—	—	—	—	—	—
	Tap T3**	1080	29	925	34	800	39	720	44	675	47	615	51	570	55	515	61
	Tap T4***	1160	27	1100	29	1040	30	1000	32	960	33	910	35	850	37	815	39
	Tap T5	1320	24	1290	24	1250	25	1200	26	1165	27	1125	28	1080	29	1030	31
X36K	Tap T1*	1065	30	875	36	630	50	580	54	510	62	450	70	394	80	—	—
	Tap T2	1110	28	955	33	900	35	845	37	800	39	755	42	700	45	660	48
	Tap T3**	1170	27	1110	28	1060	30	1025	31	985	32	940	34	885	36	840	38
	Tap T4***	1480	21	1450	22	1420	22	1385	23	1355	23	1320	24	1285	25	1240	25
	Tap T5	1580	20	1545	20	1500	21	1480	21	1450	22	1420	22	1380	23	1350	23
X48	Tap T1*	1140	28	1040	30	980	32	945	33	900	35	845	37	790	40	745	42
	Tap T2	1315	24	1280	25	1230	26	1200	26	1160	27	1125	28	1080	29	1030	31
	Tap T3***	1465	22	1435	22	1400	23	1360	23	1320	24	1285	25	1245	25	1200	26
	Tap T4**	1560	20	1525	21	1500	21	1465	22	1425	22	1390	23	1350	23	1315	24
	Tap T5	1740	18														

P5RF-KA SERIES SMALL PACK																	
UNIT MODEL	BLOWER SETTING	EXTERNAL STATIC PRESSURE DROP - INCHES WATER COLUMN															
		0.1		0.2		0.3		0.4		0.5		0.6		0.7		0.8	
		CFM	HEAT RISE	CFM	HEAT RISE	CFM	HEAT RISE	CFM	HEAT RISE	CFM	HEAT RISE	CFM	HEAT RISE	CFM	HEAT RISE	CFM	HEAT RISE
X24KA	Tap T1	625	51	591	53	526	60	445	71	—	—	—	—	—	—	—	—
	Tap T2*	772	41	735	43	693	46	632	50	562	56	491	64	—	—	—	—
	Tap T3**	899	35	870	36	844	37	797	40	736	43	670	47	597	53	540	59
	Tap T4***	1085	29	1044	30	1015	31	984	32	948	33	887	36	841	38	777	41
	Tap T5	1227	26	1179	27	1146	28	1114	28	1086	29	1058	30	1011	31	951	33
X36KA	Tap T1*	905	35	833	38	785	40	630	50	589	54	560	56	515	61	—	—
	Tap T2	1136	28	1093	29	1052	30	1012	31	967	33	922	34	867	36	825	38
	Tap T3**	1170	27	1133	28	1085	29	1050	30	1014	31	970	33	933	34	890	35
	Tap T4***	1485	21	1450	22	1405	22	1378	23	1340	24	1300	24	1264	25	1230	26
	Tap T5	1608	20	1570	20	1535	21	1505	21	1470	21	1425	22	1375	23	1320	24
X48KA	Tap T1*	1035	31	994	32	965	33	914	35	878	36	838	38	778	41	735	43
	Tap T2	1215	26	1185	27	1136	28	1087	29	1055	30	1012	31	965	33	915	35
	Tap T3***	1568	20	1536	21	1501	21	1465	22	1428	22	1390	23	1352	23	1316	24
	Tap T4**	1862	17	1820	17	1791	18	1751	18	1722	18	1681	19	1648	19	1610	20
	Tap T5	1944	16	1917	16	1880	17	1843	17	1810	17	1773	18	1735	18	1696	19
X60KA	Tap T1	1172	27	1120	28	1077	29	1045	30	985	32	933	34	895	35	860	37
	Tap T2*	1187	27	1160	27	1119	28	1084	29	1043	30	987	32	935	34	897	35
	Tap T3***	1692	19	1655	19	1604	20	1587	20	1452	22	1506	21	1465	22	1420	22
	Tap T4**	1785	18	1744	18	1705	19	1667	19	1635	19	1584	20	1546	20	1505	21
	Tap T5	1875	17	1833	17	1800	18	1762	18	1734	18	1698	19	1658	19	1625	19

Table 30. P5RF-KA Small Pack

P6SD SERIES - SINGLE PHASE																	
UNIT MODEL	BLOWER SETTING	EXTERNAL STATIC PRESSURE DROP - INCHES WATER COLUMN															
		0.1		0.2		0.3		0.4		0.5		0.6		0.7		0.8	
		CFM	HEAT RISE	CFM	HEAT RISE	CFM	HEAT RISE	CFM	HEAT RISE	CFM	HEAT RISE	CFM	HEAT RISE	CFM	HEAT RISE	CFM	HEAT RISE
X36	Low*	1153	27	1102	29	1043	30	990	32	912	35	831	38	731	43	618	51
	Medium	1367	23	1320	24	1271	25	1205	26	1138	28	1065	30	968	33	845	37
	High	1610	20	1562	20	1504	21	1442	22	1365	23	1295	24	1214	26	1109	28
X48	Low*	1584	20	1568	20	1532	21	1489	21	1445	22	1387	23	1322	24	1236	26
	Medium	2026	16	1982	16	1935	16	1889	17	1822	17	1744	18	1660	19	1554	20
	High	2361	13	2278	14	2218	14	2141	15	2066	15	1976	16	1870	17	1758	18
X60	Tap T1	1515	21	1450	22	1380	23	1350	23	1280	25	1250	25	1200	26	1160	27
	Tap T2**	1580	20	1520	21	1460	22	1400	23	1300	24	1280	25	1260	25	1230	26
	Tap T3*	1740	18	1690	19	1650	19	1600	20	1360	23	1500	21	1460	22	1390	23
	Tap T4	1960	16	1910	17	1840	17	1820	17	1540	21	1740	18	1700	19	1600	20
	Tap T5	2090	15	2050	15	2010	16	1975	16	1780	18	1900	17	1850	17	1790	18

NOTES:

Calculated values in matrix are all with 10KW for 1 phase
 Temperature rises shaded gray are for reference only. These conditions are not recommended.
 * Denotes factory set cooling speed
 ** Denotes factory set electric heating speed

Table 31. P6SD, Single Phase

P6SD SERIES - 3 PHASE																	
UNIT MODEL	BLOWER SETTING	EXTERNAL STATIC PRESSURE DROP - INCHES WATER COLUMN															
		0.1		0.2		0.3		0.4		0.5		0.6		0.7		0.8	
		CFM	HEAT RISE	CFM	HEAT RISE	CFM	HEAT RISE	CFM	HEAT RISE	CFM	HEAT RISE	CFM	HEAT RISE	CFM	HEAT RISE	CFM	HEAT RISE
X36	Low*	1153	25	1102	26	1043	27	990	29	912	31	831	34	731	39	618	46
	Medium	1367	21	1320	22	1271	22	1205	24	1138	25	1065	27	968	29	845	34
	High	1610	18	1562	18	1504	19	1442	20	1365	21	1295	22	1214	23	1109	26
X48	Low*	1584	18	1568	18	1532	19	1489	19	1445	20	1387	21	1322	22	1236	23
	Medium	2026	14	1982	14	1935	15	1889	15	1822	16	1744	16	1660	17	1554	18
	High	2361	12	2278	12	2218	13	2141	13	2066	14	1976	14	1870	15	1758	16
X60	Tap T1	1515	19	1450	20	1380	21	1350	21	1280	22	1250	23	1200	24	1160	25
	Tap T2**	1580	18	1520	19	1460	19	1400	20	1300	22	1280	22	1260	23	1230	23
	Tap T3*	1740	16	1690	17	1650	17	1600	18	1360	21	1500	19	1460	19	1390	20
	Tap T4	1960	15	1910	15	1840	15	1820	16	1540	18	1740	16	1700	17	1600	18
	Tap T5	2090	14	2050	14	2010	14	1975	14	1780	16	1900	15	1850	15	1790	16

NOTES:

Calculated values in matrix are all with 9KW for 3 phase
 Temperature rises shaded gray are for reference only. These conditions are not recommended.
 * Denotes factory set cooling speed
 ** Denotes factory set electric heating speed

Table 32. P6SD, 3-Phase

P7RD SERIES SMALL PACK																			
UNIT MODEL	BLOWER SETTING	EXTERNAL STATIC PRESSURE DROP - INCHES WATER COLUMN																	
		0.1		0.2		0.3		0.4		0.5		0.6		0.7		0.8		0.9	
		CFM	HEAT RISE	CFM	HEAT RISE	CFM	HEAT RISE	CFM	HEAT RISE	CFM	HEAT RISE	CFM	HEAT RISE	CFM	HEAT RISE	CFM	HEAT RISE	CFM	HEAT RISE
024K	Low*	840	38	800	39	760	42	705	45	645	49	565	56	460	69	265	119	230	137
	High**	1140	28	1100	29	1045	30	975	32	905	35	815	39	700	45	535	59	305	104
030K	Low	840	38	800	39	760	42	705	45	645	49	565	56	460	69	265	119	230	137
	High†	1140	28	1100	29	1045	30	975	32	905	35	815	39	700	45	535	59	305	104
036K	Low†	1340	24	1315	24	1280	25	1245	25	1210	26	1165	27	1110	28	1065	30	1005	31
	High	1520	21	1490	21	1460	22	1415	22	1380	23	1325	24	1280	25	1210	26	1120	28
042K	Low†	1410	22	1380	23	1360	23	1330	24	1295	24	1260	25	1215	26	1160	27	1075	29
	Med	1805	18	1775	18	1740	18	1700	19	1655	19	1595	20	1535	21	1465	22	1390	23
	High	2140	15	2090	15	2035	16	1985	16	1935	16	1865	17	1785	18	1710	18	1625	19
048K	Low**	1410	22	1380	23	1360	23	1330	24	1295	24	1260	25	1215	26	1160	27	1075	29
	Med*	1805	18	1775	18	1740	18	1700	19	1655	19	1595	20	1535	21	1465	22	1390	23
	High	2140	15	2090	15	2035	16	1985	16	1935	16	1865	17	1785	18	1710	18	1625	19

* Denotes factory set cooling speed
 ** Denotes factory set electric heating speed
 † Denotes Factory cooling and electric heating speed

Table 33. P7RD Small Pack

P7RD-A SERIES																	
UNIT MODEL	BLOWER SETTING	EXTERNAL STATIC PRESSURE DROP - INCHES WATER COLUMN															
		0.1		0.2		0.3		0.4		0.5		0.6		0.7		0.8	
		CFM	HEAT RISE	CFM	HEAT RISE	CFM	HEAT RISE	CFM	HEAT RISE	CFM	HEAT RISE	CFM	HEAT RISE	CFM	HEAT RISE	CFM	HEAT RISE
024KA	Tap T1*	840	38	800	39	755	42	710	44	650	49	600	53	550	57	505	63
	Tap T2	1010	31	965	33	925	34	885	36	845	37	790	40	735	43	690	46
	Tap T3**	1115	28	1080	29	1040	30	1000	32	965	33	925	34	875	36	820	39
	Tap T4	1205	26	1170	27	1130	28	1095	29	1055	30	1020	31	985	32	940	34
	Tap T5	1335	24	1300	24	1270	25	1230	26	1195	26	1160	27	1125	28	1090	29
030KA	Tap T1	840	38	800	39	755	42	710	44	650	49	600	53	550	57	505	63
	Tap T2*	1010	31	965	33	925	34	885	36	845	37	790	40	735	43	690	46
	Tap T3**	1115	28	1080	29	1040	30	1000	32	965	33	925	34	875	36	820	39
	Tap T4	1205	26	1170	27	1130	28	1095	29	1055	30	1020	31	985	32	940	34
	Tap T5	1335	24	1300	24	1270	25	1230	26	1195	26	1160	27	1125	28	1090	29
036KA	Tap T1	905	35	865	37	810	39	755	42	695	45	645	49	590	54	555	57
	Tap T2	1130	28	1090	29	1050	30	1000	32	950	33	895	35	835	38	790	40
	Tap T3*	1265	25	1225	26	1190	27	1145	28	1100	29	1045	30	995	32	940	34
	Tap T4**	1380	23	1340	24	1305	24	1270	25	1225	26	1180	27	1130	28	1080	29
	Tap T5	1540	21	1510	21	1475	21	1440	22	1405	22	1360	23	1320	24	1270	25
042KA	Tap T1*	1375	23	1345	23	1310	24	1275	25	1240	25	1205	26	1160	27	1120	28
	Tap T2**	1470	21	1435	22	1400	23	1370	23	1335	24	1300	24	1260	25	1215	26
	Tap T3	1600	20	1570	20	1535	21	1505	21	1470	21	1440	22	1400	23	1355	23
	Tap T4	1715	18	1680	19	1650	19	1620	20	1585	20	1545	20	1505	21	1470	21
	Tap T5	1895	17	1865	17	1830	17	1795	18	1760	18	1730	18	1695	19	1655	19
048KA	Tap T1**	1375	23	1345	23	1310	24	1275	25	1240	25	1205	26	1160	27	1120	28
	Tap T2	1470	21	1435	22	1400	23	1370	23	1335	24	1300	24	1260	25	1215	26
	Tap T3*	1600	20	1570	20	1535	21	1505	21	1470	21	1440	22	1400	23	1355	23
	Tap T4	1715	18	1680	19	1650	19	1620	20	1585	20	1545	20	1505	21	1470	21
	Tap T5	1895	17	1865	17	1830	17	1795	18	1760	18	1730	18	1695	19	1655	19
060KA	Tap T1**	1290	24	1255	25	1220	26	1185	27	1145	28	1110	28	1070	30	1035	31
	Tap T2	1645	19	1615	20	1580	20	1550	20	1520	21	1490	21	1440	22	1405	22
	Tap T3*	1885	17	1855	17	1820	17	1785	18	1755	18	1720	18	1685	19	1650	19
	Tap T4	2020	16	1985	16	1955	16	1920	16	1890	17	1850	17	1820	17	1785	18
	Tap T5	2185	14	2170	15	2160	15	2145	15	2130	15	2090	15	2055	15	2015	16

NOTES:

- Calculated values in matrix are all with 10KW for 1 phase
- Temperature rises shaded gray are for reference only. These conditions are not recommended.
- * Denotes factory set cooling speed
- ** Denotes factory set electric heating speed

Table 34. P7RD-A

P7RE SERIES																	
UNIT MODEL	BLOWER SETTING	EXTERNAL STATIC PRESSURE DROP - INCHES WATER COLUMN															
		0.1		0.2		0.3		0.4		0.5		0.6		0.7		0.8	
		CFM	HEAT RISE	CFM	HEAT RISE	CFM	HEAT RISE	CFM	HEAT RISE	CFM	HEAT RISE	CFM	HEAT RISE	CFM	HEAT RISE	CFM	HEAT RISE
024K	Tap T1*	950	33	823	38	881	36	832	38	788	40	722	44	655	48	593	53
	Tap T2**	1123	28	1100	29	1065	30	1023	31	978	32	929	34	877	36	820	39
	Tap T3	1189	27	1158	27	1141	28	1084	29	1047	30	1009	31	959	33	906	35
	Tap T4	1291	24	1246	25	1236	26	1195	26	1161	27	1120	28	1075	29	1031	31
	Tap T5	1359	23	1320	24	1302	24	1280	25	1243	25	1205	26	1162	27	1112	28
030K	Tap T1	950	33	823	38	881	36	832	38	788	40	722	44	655	48	593	53
	Tap T2**	1123	28	1100	29	1065	30	1023	31	978	32	929	34	877	36	820	39
	Tap T3*	1189	27	1158	27	1141	28	1084	29	1047	30	1009	31	959	33	906	35
	Tap T4	1291	24	1246	25	1236	26	1195	26	1161	27	1120	28	1075	29	1031	31
	Tap T5	1359	23	1320	24	1302	24	1280	25	1243	25	1205	26	1162	27	1112	28
036K	Tap T1**	1215	26	1175	27	1130	28	1075	29	1020	31	970	33	900	35	840	38
	Tap T2	1313	24	1277	25	1236	26	1190	27	1153	27	1104	29	1051	30	992	32
	Tap T3	1460	22	1415	22	1385	23	1335	24	1275	25	1225	26	1170	27	1120	28
	Tap T4*	1502	21	1466	22	1437	22	1388	23	1345	23	1305	24	1251	25	1204	26
	Tap T5	1565	20	1525	21	1490	21	1450	22	1410	22	1370	23	1315	24	1270	25
042K	Tap T1*	1375	23	1345	23	1310	24	1275	25	1240	25	1205	26	1160	27	1120	28
	Tap T2**	1470	21	1435	22	1400	23	1370	23	1335	24	1300	24	1260	25	1215	26
	Tap T3	1600	20	1570	20	1535	21	1505	21	1470	21	1440	22	1400	23	1355	23
	Tap T4	1715	18	1680	19	1650	19	1620	20	1585	20	1545	20	1505	21	1470	21
	Tap T5	1895	17	1865	17	1830	17	1795	18	1760	18	1730	18	1695	19	1655	19
048K	Tap T1	1375	23	1345	23	1310	24	1275	25	1240	25	1205	26	1160	27	1120	28
	Tap T2**	1470	21	1435	22	1400	23	1370	23	1335	24	1300	24	1260	25	1215	26
	Tap T3*	1600	20	1570	20	1535	21	1505	21	1470	21	1440	22	1400	23	1355	23
	Tap T4	1715	18	1680	19	1650	19	1620	20	1585	20	1545	20	1505	21	1470	21
	Tap T5	1895	17	1865	17	1830	17	1795	18	1760	18	1730	18	1695	19	1655	19
X60K	Tap T1**	1390	23	1350	23	1310	24	1270	25	1240	25	1205	26	1160	27	1120	28
	Tap T2	1540	21	1510	21	1480	21	1440	22	1410	22	1380	23	1340	24	1310	24
	Tap T3	1700	19	1670	19	1630	19	1600	20	1580	20	1540	21	1510	21	1480	21
	Tap T4*	1770	18	1740	18	1700	19	1660	19	1640	19	1600	20	1580	20	1540	21
	Tap T5	2080	15	2030	16	2020	16	1970	16	1940	16	1910	17	1870	17	1840	17

NOTES:

Temperature rises shaded gray are for reference only. These conditions are not recommended.

* Denotes factory set cooling speed

** Denotes factory set electric heating speed

Table 35. P7RE

Q4SE & PPH1SE									
NOMINAL KW	CFM	SWITCH NUMBER							
		1	2	3	4	5	6	7	8
0-5	500	—	—	—	—	0	0	—	—
6-10	700	—	—	—	—	1	0	—	—
11-15	900	—	—	—	—	0	1	—	—
16-20	1100	—	—	—	—	1	1	—	—

NOTE: 1-ON, 0=OFF

Table 36. Q4SE/PPH1SE Min. Electric Heat Airflow (All models)

Q5RD SERIES SMALL PACK																	
UNIT MODEL	BLOWER SETTING	EXTERNAL STATIC PRESSURE DROP - INCHES WATER COLUMN															
		0.1		0.2		0.3		0.4		0.5		0.6		0.7		0.8	
		CFM	HEAT RISE	CFM	HEAT RISE	CFM	HEAT RISE	CFM	HEAT RISE	CFM	HEAT RISE	CFM	HEAT RISE	CFM	HEAT RISE	CFM	HEAT RISE
024K	Low T6	607	52	555	57	490	64	437	72	368	86	291	109	255	124	—	—
	Med T5†	899	35	854	37	802	39	743	43	670	47	601	53	533	59	—	—
	High T4	1220	26	1178	27	1133	28	1091	29	1024	31	946	33	844	37	743	43
030K	Low	847	37	808	39	770	41	726	44	664	48	562	56	460	69	—	—
	High†	1104	29	1114	28	1064	30	1010	31	935	34	846	37	710	44	536	59
036KA	Low†	1318	24	1284	25	1248	25	1207	26	1160	27	1110	28	1043	30	957	33
	High	1551	20	1521	21	1477	21	1434	22	1388	23	1342	24	1263	25	1180	27
036K	Tap T1	1100	29	900	35	750	42	650	49	580	54	520	61	480	66	455	69
	Tap T2**	1208	26	1080	29	1025	31	972	33	926	34	874	36	813	39	752	42
	Tap T3*	1262	25	1199	26	1153	27	1110	28	1070	30	1027	31	965	33	906	35
	Tap T4	1370	23	1333	24	1300	24	1260	25	1230	26	1180	27	1070	30	1010	31
	Tap T5	1410	22	1340	24	1450	22	1320	24	1280	25	1240	25	1195	26	1150	27
042K	Tap T1	1480	21	1455	22	1415	22	1390	23	1355	23	1320	24	1290	24	1255	25
	Tap T2*	1575	20	1545	20	1515	21	1475	21	1440	22	1420	22	1385	23	1345	23
	Tap T3**	1635	19	1505	21	1575	20	1545	20	1515	21	1485	21	1455	22	1425	22
	Tap T4	1775	18	1740	18	1715	18	1695	19	1665	19	1635	19	1610	20	1580	20
	Tap T5	2065	15	2040	15	2020	16	1985	16	1960	16	1940	16	1905	17	1850	17
048KA	Low	1460	22	1440	22	1420	22	1390	23	1360	23	1325	24	1285	25	1235	26
	Med†	1840	17	1815	17	1790	18	1760	18	1715	18	1660	19	1605	20	1535	21
	High	2155	15	2115	15	2065	15	2020	16	1955	16	1895	17	1830	17	1740	18
048K	Tap T1	1480	21	1455	22	1415	22	1390	23	1355	23	1320	24	1290	24	1255	25
	Tap T2**	1575	20	1545	20	1515	21	1475	21	1440	22	1420	22	1385	23	1345	23
	Tap T3*	1635	19	1505	21	1575	20	1545	20	1515	21	1485	21	1455	22	1425	22
	Tap T4	1775	18	1740	18	1715	18	1695	19	1665	19	1635	19	1610	20	1580	20
	Tap T5	2065	15	2040	15	2020	16	1985	16	1960	16	1940	16	1905	17	1850	17
060K	Tap T1	1370	23	1340	24	1310	24	1280	25	1260	25	1230	26	1195	26	1160	27
	Tap T2	1470	21	1440	22	1410	22	1380	23	1360	23	1320	24	1290	24	1250	25
	Tap T3**	1550	20	1520	21	1480	21	1450	22	1430	22	1400	23	1380	23	1350	23
	Tap T4*	1810	17	1770	18	1740	18	1720	18	1690	19	1660	19	1610	20	1575	20
	Tap T5	1890	17	1870	17	1840	17	1820	17	1800	18	1770	18	1710	18	1670	19

NOTES:

- Temperature rises shaded gray are for reference only. These conditions are not recommended.
- * Denotes factory set cooling speed
- ** Denotes factory set electric heating speed
- † Denotes Factory cooling and electric heating speed

Table 37. Q5RD Small Pack

Q7RD SERIES BLOWER CURVES SMALL PACK

UNIT MODEL	BLOWER SETTING	EXTERNAL STATIC PRESSURE DROP - INCHES WATER COLUMN															
		0.1		0.2		0.3		0.4		0.5		0.6		0.7		0.8	
		CFM	HEAT RISE	CFM	HEAT RISE	CFM	HEAT RISE	CFM	HEAT RISE	CFM	HEAT RISE	CFM	HEAT RISE	CFM	HEAT RISE	CFM	HEAT RISE
024K	Tap T1*	888	36	843	37	800	39	744	42	689	46	640	49	573	55	522	61
	Tap T2	1139	28	1101	29	1060	30	1017	31	964	33	919	34	865	37	811	39
	Tap T3**	1279	25	1235	26	1197	26	1162	27	1115	28	1073	29	1021	31	977	32
	Tap T4	1385	23	1347	23	1313	24	1275	25	1234	26	1196	26	1153	27	1106	29
	Tap T5	1567	20	1531	21	1500	21	1467	22	1427	22	1394	23	1362	23	1325	24
030K	Tap T1	888	36	843	37	800	39	744	42	689	46	640	49	573	55	522	61
	Tap T2*	1139	28	1101	29	1060	30	1017	31	964	33	919	34	865	37	811	39
	Tap T3**	1279	25	1235	26	1197	26	1162	27	1115	28	1073	29	1021	31	977	32
	Tap T4	1385	23	1347	23	1313	24	1275	25	1234	26	1196	26	1153	27	1106	29
	Tap T5	1567	20	1531	21	1500	21	1467	22	1427	22	1394	23	1362	23	1325	24
036K	Tap T1	1139	28	1101	29	1060	30	1017	31	964	33	919	34	865	37	811	39
	Tap T2	1279	25	1235	26	1197	26	1162	27	1115	28	1073	29	1021	31	977	32
	Tap T3*	1399	23	1353	23	1324	24	1281	25	1247	25	1211	26	1167	27	1115	28
	Tap T4**	1549	20	1507	21	1460	22	1439	22	1389	23	1368	23	1327	24	1280	25
	Tap T5	1623	19	1585	20	1529	21	1519	21	1460	22	1447	22	1407	22	1364	23
042K	Tap T1	1326	24	1290	24	1251	25	1204	26	1167	27	1116	28	1083	29	1024	31
	Tap T2*	1430	22	1383	23	1345	23	1305	24	1257	25	1211	26	1174	27	1114	28
	Tap T3**	1562	20	1521	21	1479	21	1447	22	1400	23	1359	23	1311	24	1265	25
	Tap T4	1658	19	1598	20	1578	20	1537	21	1487	21	1458	22	1413	22	1368	23
	Tap T5	1774	18	1728	18	1684	19	1647	19	1617	20	1594	20	1552	20	1509	21
048K	Tap T1	1430	22	1383	23	1345	23	1305	24	1257	25	1211	26	1174	27	1114	28
	Tap T2**	1562	20	1521	21	1479	21	1447	22	1400	23	1359	23	1311	24	1265	25
	Tap T3*	1658	19	1598	20	1578	20	1537	21	1487	21	1458	22	1413	22	1368	23
	Tap T4	1774	18	1728	18	1684	19	1647	19	1617	20	1594	20	1552	20	1509	21
	Tap T5	1951	16	1908	17	1883	17	1851	17	1823	17	1786	18	1750	18	1717	18
060K	Tap T1	1140	28	1094	29	1051	30	1005	31	954	33	901	35	850	37	802	39
	Tap T2	1375	23	1340	24	1310	24	1252	25	1235	26	1172	27	1160	27	1108	29
	Tap T3**	1691	19	1659	19	1623	19	1586	20	1544	20	1504	21	1468	22	1424	22
	Tap T4*	1722	18	1692	19	1653	19	1615	20	1579	20	1539	21	1498	21	1454	22
	Tap T5	1841	17	1804	18	1771	18	1731	18	1703	19	1659	19	1614	20	1578	20

NOTES:

- For 10KW Heater Kit
- * Denotes factory set cooling speed
- ** Denotes factory set electric heating speed
- ***Denotes Factory cooling and electric heating speed

Table 38. Q7RD Small Pack

Q5RF SERIES SMALL PACK																	
UNIT MODEL	BLOWER SETTING	EXTERNAL STATIC PRESSURE DROP - INCHES WATER COLUMN															
		0.1		0.2		0.3		0.4		0.5		0.6		0.7		0.8	
		CFM	HEAT RISE	CFM	HEAT RISE	CFM	HEAT RISE	CFM	HEAT RISE	CFM	HEAT RISE	CFM	HEAT RISE	CFM	HEAT RISE	CFM	HEAT RISE
X24K	Tap T1*	990	32	790	40	560	56	540	59	—	—	—	—	—	—	—	—
	Tap T2**	1040	30	850	37	600	53	550	57	500	63	—	—	—	—	—	—
	Tap T3	1080	29	920	34	800	39	720	44	680	46	620	51	570	55	520	61
	Tap T4***	1160	27	1100	29	1040	30	1000	32	960	33	900	35	850	37	820	39
	Tap T5	1330	24	1300	24	1250	25	1200	26	1170	27	1130	28	1080	29	1030	31
X36K	Tap T1*	1020	31	840	38	600	53	500	63	—	—	—	—	—	—	—	—
	Tap T2	1060	30	900	35	750	42	700	45	650	49	600	53	540	59	500	63
	Tap T3**	1280	25	1240	25	1200	26	1180	27	1140	28	1100	29	1070	30	1010	31
	Tap T4***	1480	21	1450	22	1420	22	1390	23	1360	23	1320	24	1290	24	1240	25
	Tap T5	1580	20	1550	20	1520	21	1480	21	1450	22	1420	22	1380	23	1350	23
X48	Tap T1*	1150	27	1090	29	1030	31	1000	32	950	33	900	35	850	37	800	39
	Tap T2	1300	24	1270	25	1240	25	1200	26	1160	27	1120	28	1090	29	1050	30
	Tap T3***	1460	22	1430	22	1400	23	1370	23	1340	24	1300	24	1250	25	1200	26
	Tap T4**	1520	21	1480	21	1450	22	1420	22	1390	23	1360	23	1330	24	1300	24
	Tap T5	1740	18	1710	18	1680	19	1650	19	1620	20	1590	20	1540	21	1500	21
X60	Tap T1	1150	27	1100	29	1060	30	1030	31	980	32	950	33	900	35	870	36
	Tap T2*	1250	25	1200	26	1170	27	1150	27	1130	28	1100	29	1060	30	1020	31
	Tap T3***	1560	20	1530	21	1500	21	1470	21	1450	22	1420	22	1390	23	1360	23
	Tap T4**	1750	18	1700	19	1670	19	1630	19	1600	20	1580	20	1560	20	1530	21
	Tap T5	1960	16	1930	16	1900	17	1860	17	1830	17	1800	18	1770	18	1740	18

NOTES:

Temperature rises shaded gray are for reference only. These conditions are not recommended.

* Denotes factory set low cooling & heating speed.

** Denotes factory set high cooling & heating speed.

*** Denotes factory set electric heating speed.

Table 39. Q5RF Small Pack

Q5RF-A SERIES SMALL PACK																	
UNIT MODEL	BLOWER SETTING	EXTERNAL STATIC PRESSURE DROP - INCHES WATER COLUMN															
		0.1		0.2		0.3		0.4		0.5		0.6		0.7		0.8	
		CFM	HEAT RISE	CFM	HEAT RISE	CFM	HEAT RISE	CFM	HEAT RISE	CFM	HEAT RISE	CFM	HEAT RISE	CFM	HEAT RISE	CFM	HEAT RISE
X24KA	Tap T1*	535	59	485	65	445	71	—	—	—	—	—	—	—	—	—	—
	Tap T2**	765	41	700	45	635	50	590	54	520	61	—	—	—	—	—	—
	Tap T3***	1180	27	1140	28	1100	29	1050	30	1000	32	650	49	900	35	840	38
	Tap T4	1302	247	1260	25	1220	26	1172	27	1127	28	1090	29	1035	31	985	32
	Tap T5	1450	22	1410	22	1377	23	1335	24	1293	24	1245	25	1205	26	1160	27
X36KA	Tap T1*	875	36	832	38	775	41	715	44	659	48	599	53	555	57	—	—
	Tap T2**	1267	25	1229	26	1181	27	1135	28	1099	29	1045	30	994	32	790	40
	Tap T3	1380	23	1340	24	1305	24	1260	25	1220	26	1180	27	1130	28	1075	29
	Tap T4***	1440	22	1400	23	1365	23	1320	24	1280	25	1235	26	1195	26	1145	28
	Tap T5	1500	21	1460	22	1420	22	1380	23	1340	24	1290	24	1250	25	1210	26
X48KA	Tap T1*	1030	31	980	32	950	33	900	35	860	37	810	39	765	41	725	44
	Tap T2	1275	25	1225	26	1195	26	1145	28	1105	29	1055	30	1015	31	975	32
	Tap T3**	1525	21	1504	21	1460	22	1422	22	1380	23	1353	23	1305	24	1271	25
	Tap T4***	1710	18	1665	19	1638	19	1609	20	1575	20	1530	21	1493	21	1449	22
	Tap T5	1790	18	1760	18	1727	18	1701	19	1665	19	1627	19	1587	20	1553	20
X60KA	Tap T1*	1140	28	1094	29	1051	30	1005	31	954	33	901	35	850	37	802	39
	Tap T2	1375	23	1340	24	1310	24	1252	25	1235	26	1172	27	1160	27	1108	29
	Tap T3**	1691	19	1659	19	1623	19	1586	20	1544	20	1504	21	1468	22	1424	22
	Tap T4***	1722	18	1692	19	1653	19	1615	20	1579	20	1539	21	1498	21	1454	22
	Tap T5	1841	17	1804	18	1771	18	1731	18	1703	19	1659	19	1614	20	1578	20

Table 40. Q5RF-A Small Pack

Q6SD SERIES (SINGLE PHASE)													
UNIT MODEL	BLOWER SETTING	EXTERNAL STATIC PRESSURE DROP - INCHES WATER COLUMN											
		0.1		0.2		0.3		0.4		0.5		0.6	
		CFM	HEAT RISE	CFM	HEAT RISE	CFM	HEAT RISE	CFM	HEAT RISE	CFM	HEAT RISE	CFM	HEAT RISE
X24	Tap T1*	1110	28	869	36	529	60	—	—	—	—	—	—
	Tap T2**	1211	26	996	32	700	45	609	52	—	—	—	—
	Tap T3	1400	23	1350	23	1200	26	1150	27	1080	29	1030	31
	Tap T4	1600	20	1500	21	1400	23	1300	24	1200	26	1050	30
	Tap T5	1700	19	1650	19	1600	20	1565	20	1530	21	1480	21
X30	Tap T1**	1211	26	996	32	700	45	609	52	—	—	—	—
	Tap T2*	1275	25	1077	29	940	34	876	36	807	39	732	43
	Tap T3	1400	23	1350	23	1200	26	1150	27	1080	29	1030	31
	Tap T4	1600	20	1500	21	1400	23	1300	24	1200	26	1050	30
	Tap T5	1700	19	1650	19	1600	20	1565	20	1530	21	1480	21
X36	Tap T1**	1150	27	1050	30	1000	32	950	33	850	37	780	41
	Tap T2	1230	26	1190	27	1120	28	1080	29	1000	32	950	33
	Tap T3*	1464	22	1394	23	1332	24	1272	25	1216	26	1143	28
	Tap T4	1600	20	1500	21	1400	23	1300	24	1200	26	1050	30
	Tap T5	1700	19	1650	19	1600	20	1565	20	1530	21	1480	21
X42	Tap T1**	1150	27	1050	30	1000	32	950	33	850	37	780	41
	Tap T2	1230	26	1190	27	1120	28	1080	29	1000	32	950	33
	Tap T3	1400	23	1350	23	1200	26	1150	27	1080	29	1030	31
	Tap T4*	1524	21	1476	21	1424	22	1379	23	1329	24	1268	25
	Tap T5	1700	19	1650	19	1600	20	1565	20	1530	21	1480	21
X48	Tap T1*	1515	21	1450	22	1380	23	1350	23	1300	24	1250	25
	Tap T2**	1580	20	1520	21	1460	22	1400	23	1360	23	1300	24
	Tap T3	1740	18	1690	19	1650	19	1600	20	1540	21	1500	21
	Tap T4	1960	16	1910	17	1840	17	1820	17	1780	18	1740	18
	Tap T5	2090	15	2050	15	2010	16	1975	16	1940	16	1900	17
X60	Tap T1	1515	21	1450	22	1380	23	1350	23	1300	24	1250	25
	Tap T2**	1580	20	1520	21	1460	22	1400	23	1360	23	1300	24
	Tap T3*	1740	18	1690	19	1650	19	1600	20	1540	21	1500	21
	Tap T4	1960	16	1910	17	1840	17	1820	17	1780	18	1740	18
	Tap T5	2090	15	2050	15	2010	16	1975	16	1940	16	1900	17

NOTES:

Temperature rises shaded gray are for reference only. These conditions are not recommended.

* Denotes factory set coling speed

** Denotes factory set electric heating speed

Table 41. Q6SD, Single Phase

Q6SD SERIES (3 PHASE)													
UNIT MODEL	BLOWER SETTING	EXTERNAL STATIC PRESSURE DROP - INCHES WATER COLUMN											
		0.1		0.2		0.3		0.4		0.5		0.6	
		CFM	HEAT RISE	CFM	HEAT RISE	CFM	HEAT RISE	CFM	HEAT RISE	CFM	HEAT RISE	CFM	HEAT RISE
X36	Tap T1**	1150	25	1050	27	1000	28	950	30	850	33	780	36
	Tap T2	1230	23	1190	24	1120	25	1080	26	1000	28	950	30
	Tap T3*	1464	19	1394	20	1332	21	1272	22	1216	23	1143	25
	Tap T4	1600	18	1500	19	1400	20	1300	22	1200	24	1050	27
	Tap T5	1700	17	1650	17	1600	18	1565	18	1530	19	1480	19
X48	Tap T1*	1515	19	1450	20	1380	21	1350	21	1300	22	1250	23
	Tap T2**	1580	18	1520	19	1460	19	1400	20	1360	21	1300	22
	Tap T3	1740	16	1690	17	1650	17	1600	18	1540	18	1500	19
	Tap T4	1960	15	1910	15	1840	15	1820	16	1780	16	1740	16
	Tap T5	2090	14	2050	14	2010	14	1975	14	1940	15	1900	15
X60	Tap T1	1515	19	1450	20	1380	21	1350	21	1300	22	1250	23
	Tap T2**	1580	18	1520	19	1460	19	1400	20	1360	21	1300	22
	Tap T3*	1740	16	1690	17	1650	17	1600	18	1540	18	1500	19
	Tap T4	1960	15	1910	15	1840	15	1820	16	1780	16	1740	16
	Tap T5	2090	14	2050	14	2010	14	1975	14	1940	15	1900	15

NOTES:

Temperature rises shaded gray are for reference only. These conditions are not recommended.

* Denotes factory set coling speed

** Denotes factory set electric heating speed

Table 42. Q6SD, 3-Phase



INSTALLER
PLEASE LEAVE THESE INSTALLATION INSTRUCTIONS WITH THE UNIT OWNER.

