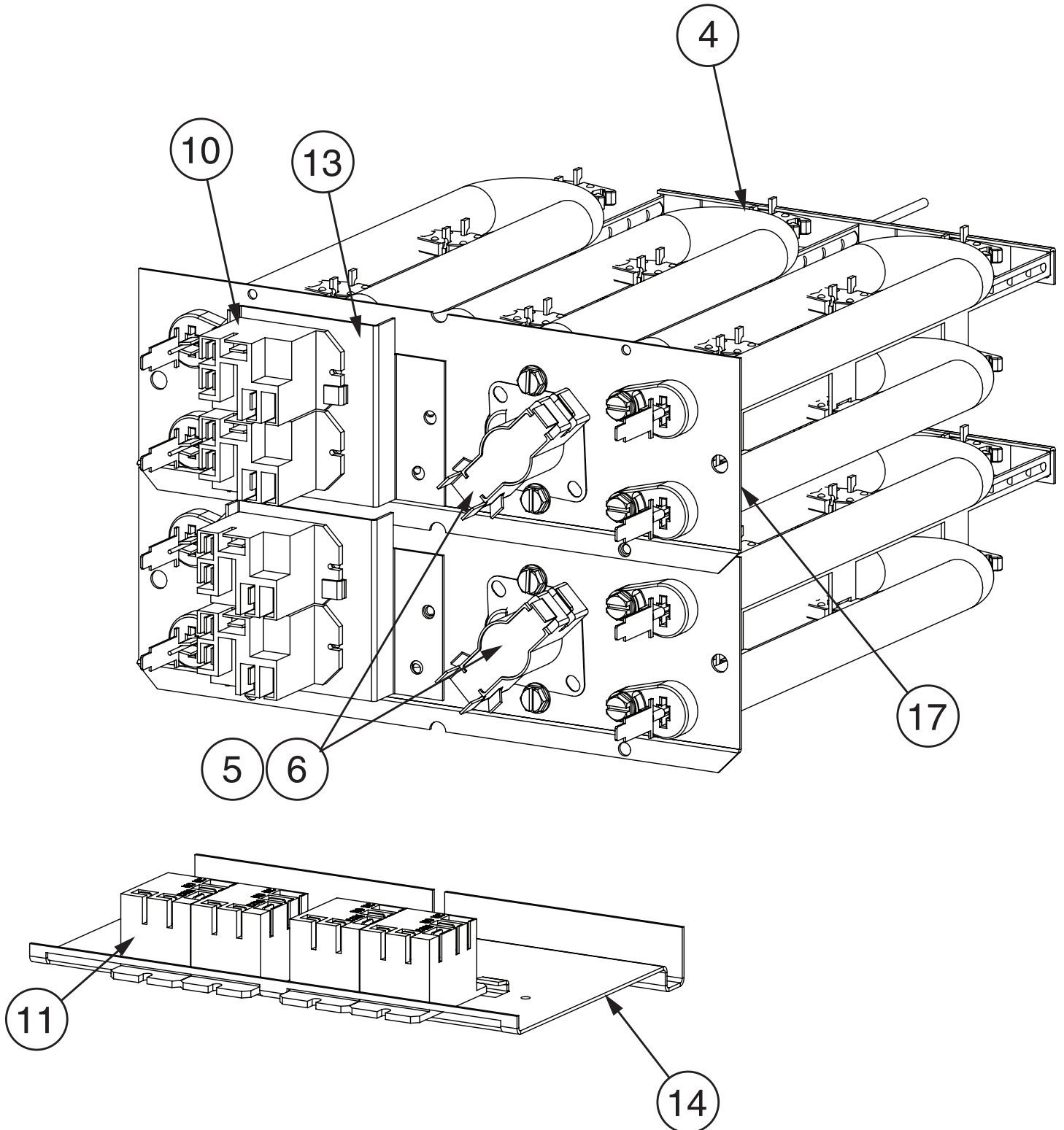


REPLACEMENT PARTS LIST

**H8HK HEATER KIT
SINGLE & THREE PHASE SERIES**



H8HK (5, 8, & 10 KW) HEATER KIT

ITEM	DESCRIPTION	SINGLE PHASE						3-PHASE
		H8HK-005H-01	H8HK-005H-11	H8HK-008H-01	H8HK-008H-11	H8HK-010H-01	H8HK-010H-11	H8HK-009Q-11
1	COMPLETE HEATER KIT	922520	922521	922522	922523	922525	922526	922524
2	SET OF WIRES - H8HK (NOT SHOWN)	—	—	M0107702R	M0107702R	M0107702R	M0107702R	—
3	HEATING ASSEMBLY	1 ELEMENT	491214R	491214R	491226R	491226R	491225R	491225R
		2 ELEMENT						
4	THERMAL LIMIT - 2 POLES	—	—	626458	626458	626458	626458	626458
5	THERMAL LIMIT - 1 POLE	626487	626487	—	—	—	—	—
6	TERMINAL BLOCK (NOT SHOWN)	631761	-	631762	—	631762	—	—
7	LINE COVER (NOT SHOWN)	257442	257442	257442	257442	257442	257442	257442
8	CONTACTOR (NOT SHOWN)	—	—	—	—	—	—	621888
9	RELAY, DC	1017207	1017207	1017207	1017207	1017207	1017207	1017207
10	RELAY, AC	624843	624843	624843	624843	624843	624843	—
11	BRACKET, SPACER ELEMENT (NOT SHOWN)	—	—	—	—	—	—	—
12	BRACKET,HTR KIT RELAY	288621	288621	288621	288621	288621	288621	288621
13	BRACKET,HTR KIT AC RELAYS	—	—	—	—	—	—	—
14	CIRCUIT BREAKER (NOT SHOWN)	—	632249	—	632249	—	632249	632225
15	CLOSE-OFF PLATE MODIFIED	—	—	371096	371096	371096	371096	—

Please specify the correct Model No., Serial No., & part number(s) when ordering parts from the nearest authorized dealer or service center.

H8HK (15, 20, 24, & 29 KW) HEATER KIT

ITEM	DESCRIPTION	SINGLE PHASE				3-PHASE
		H8HK-015H-21	H8HK-020H-21	H8HK-024H-31	H8HK-029H-31	H8HK-015Q-11
1	COMPLETE HEATER KIT	922527	922529	922530	922532	922528
2	SET OF WIRES - H8HK (NOT SHOWN)	—	M0107704R	—	—	—
3	HARNESS, LOW VOLTAGE (NOT SHOWN)	—	—	2C3341RD	—	—
4	HEATING ASSEMBLY	1 ELEMENT	491225R	491214R	491225R	491214R
		2 ELEMENT		491225R		
5	THERMAL LIMIT - 2 POLES	626458	626458	626458	626458	626458
6	THERMAL LIMIT - 1 POLE	626487	—	626487	—	626487
7	TERMINAL BLOCK (NOT SHOWN)	—	—	—	v	—
8	LINE COVER (NOT SHOWN)	257442	257442	—	—	257442
9	CONTACTOR (NOT SHOWN)	-	—	—	—	621888
10	RELAY, DC	1017207	1017207	1017207	1017207	1017207
11	RELAY, AC	624843	624843	624843	624843	—
12	BRACKET,HTR KIT RELAY	288621	288621	288621	288621	288621
13	BRACKET,HTR KIT AC RELAYS	2C8451	2C8451	2C8451	2C8451	-
14	CIRCUIT BREAKER (NOT SHOWN)	632249	632249	632249	632249	632225
15	CLOSE-OFF PLATE MODIFIED	—	—	—	—	—

Please specify the correct Model No., Serial No., & part number(s) when ordering parts from the nearest authorized dealer or service center.

