

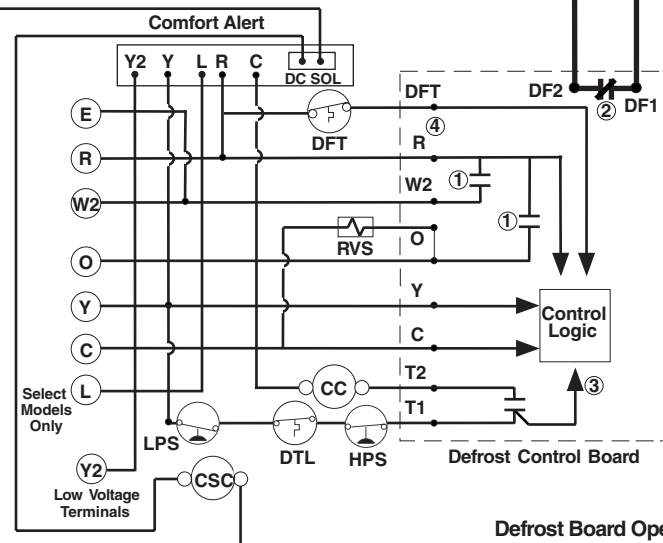
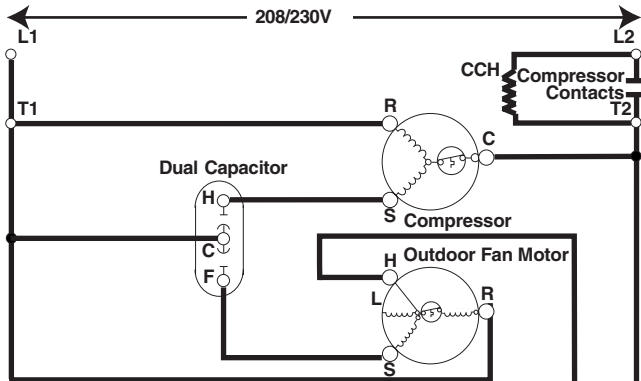
WIRING DIAGRAM

Two Stage Split System Heat Pump (Outdoor Section)

Single Phase

NOTES:

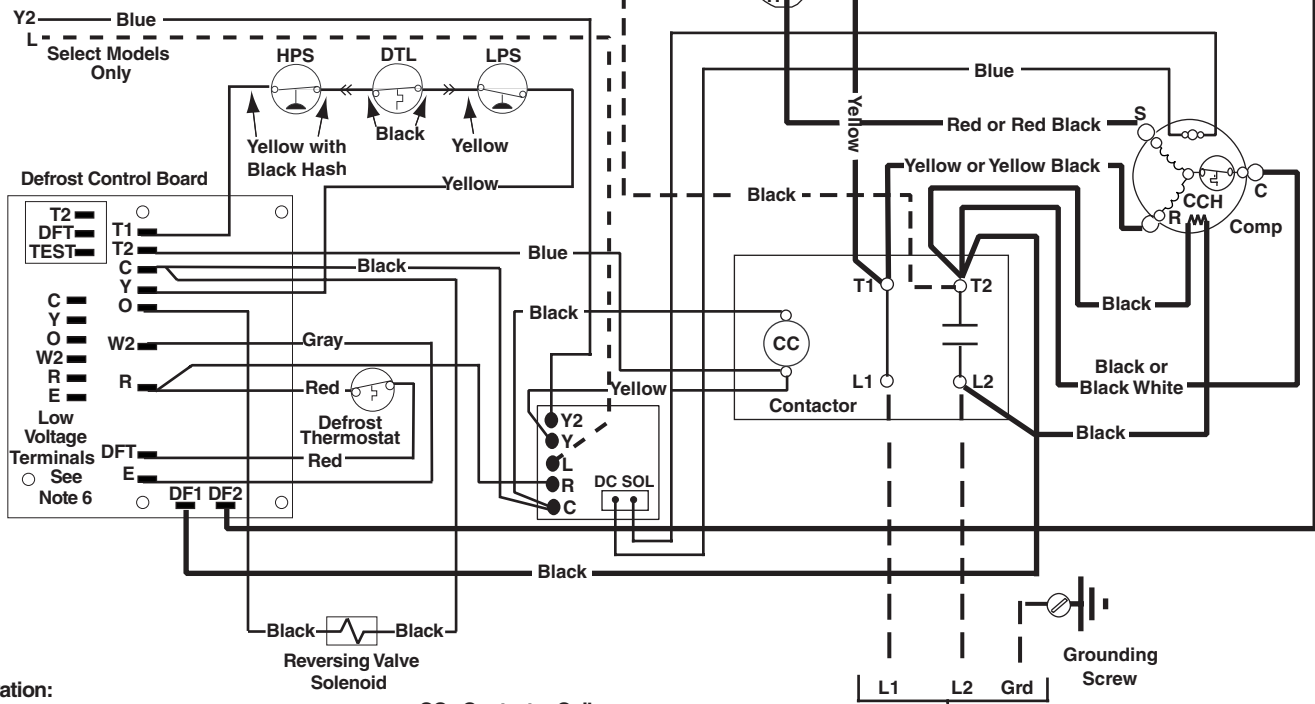
1. Disconnect all power before servicing.
2. For supply connections use copper conductors only.
3. Not suitable on systems that exceed 150 volts to ground.
4. For replacement wires use conductors suitable for 105°C.
5. For ampacities and overcurrent protection, see unit rating plate.
6. Connect to 24 vac/40va/class 2 circuit. See furnace/air handler installation instructions for control circuit and optional relay/transformer kits.



Legend

Field Wiring	-----
Factory Wiring:	
Low Voltage	_____
High Voltage	—————

Status LED	Status LED Description
Green "POWER"	Module has power
Red "TRIP"	Thermostat demand signal Y1 is present, but the compressor is not running
Yellow "ALERT" Flash Code 1	Long Run Time Compressor is running extremely long run cycle
Yellow "ALERT" Flash Code 2	System Pressure Trip Discharge or suction pressure out of limits or compressor overloaded
Yellow "ALERT" Flash Code 3	Short Cycling Compressor is running only briefly
Yellow "ALERT" Flash Code 4	Locked Rotor
Yellow "ALERT" Flash Code 5	Open Circuit
Yellow "ALERT" Flash Code 6	Open Start Circuit Current only in run circuit
Yellow "ALERT" Flash Code 7	Open Run Circuit Current only in start circuit
Yellow "ALERT" Flash Code 8	Welded Contactor Compressor always runs
Yellow "ALERT" Flash Code 9	Low Voltage Control circuit < 17 VAC



1. Couper le courant avant de faire leretien.
2. Employez uniquement des conducteurs en cuivre.
3. Ne convient pas aux installations de plus de 150 volt a la terre.

Defrost Board Operation:

- ① Closing during defrost. Rating: 1 Amp. Max.
- ② Opens during defrost. Rating: 2 HP at 230 Vac Max.
- ③ Closed when "Y" is on. Open when "Y" is off. Provides "off" delay time of 5 min. when "Y" opens.
- ④ With DFT closed and "Y" closed, compressor run time is accumulated. Opening of DFT during defrost or interval period resets the interval to 0.

- CC - Contactor Coil
- CCH - Crankcase Heater
- CSC - Compressor Solenoid Coil
- DFT - Defrost Thermostat
- DTL - Discharge Temperature Limit
- HPS - High Pressure Switch
- LPS - Low Pressure Switch
- RVS - Reversing Valve Solenoid
- * - Hard Start Kit Field Installed



710532A (Replaces 7105320)

11/08