

WIRING DIAGRAM

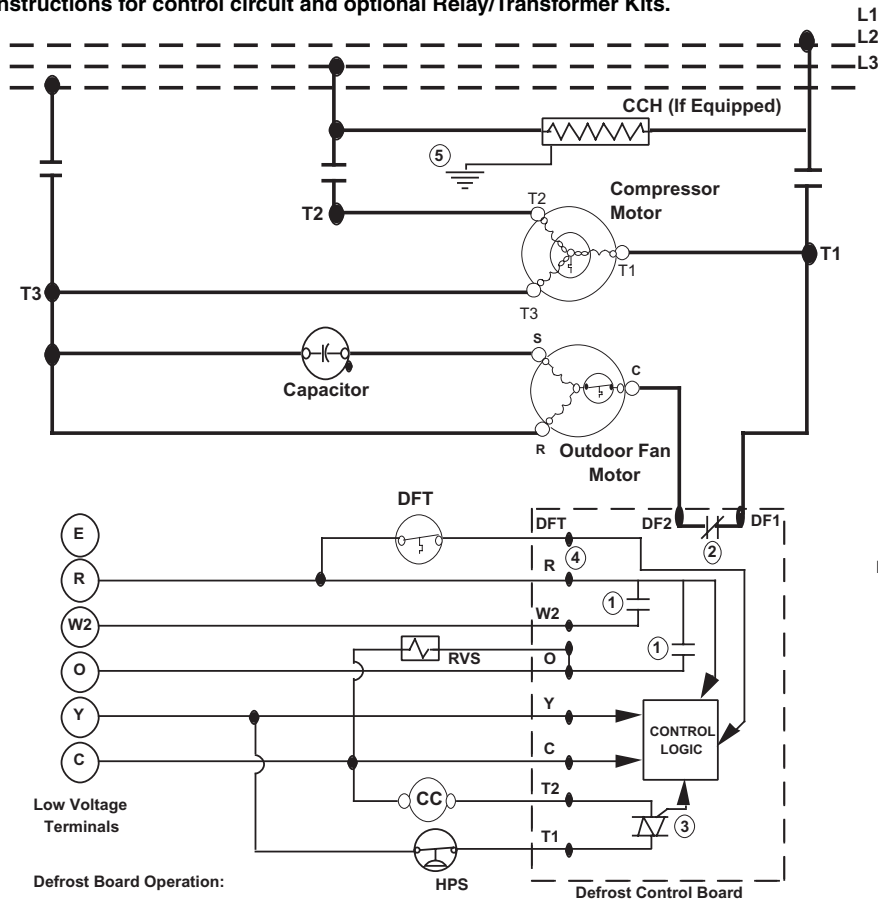
Split System Heat Pump

Three Phase

NOTES:

1. Disconnect all power before servicing.
2. For supply connections use copper conductors only.
3. Not suitable on systems that exceed 150 volts to ground.
4. For replacement wires use conductors suitable for 105deg. C
5. For supply wire ampacities and overcurrent protection, see unit data label.
6. Connect to 24 vac/40va/class 2 circuit. See furnace/air handler installation instructions for control circuit and optional Relay/Transformer Kits.

1. Couper le courant avant de faire leretien.
2. Employez uniquement des conducteurs en cuivre
3. Ne convient pas aux installations de plus de 150 volt a la terre.

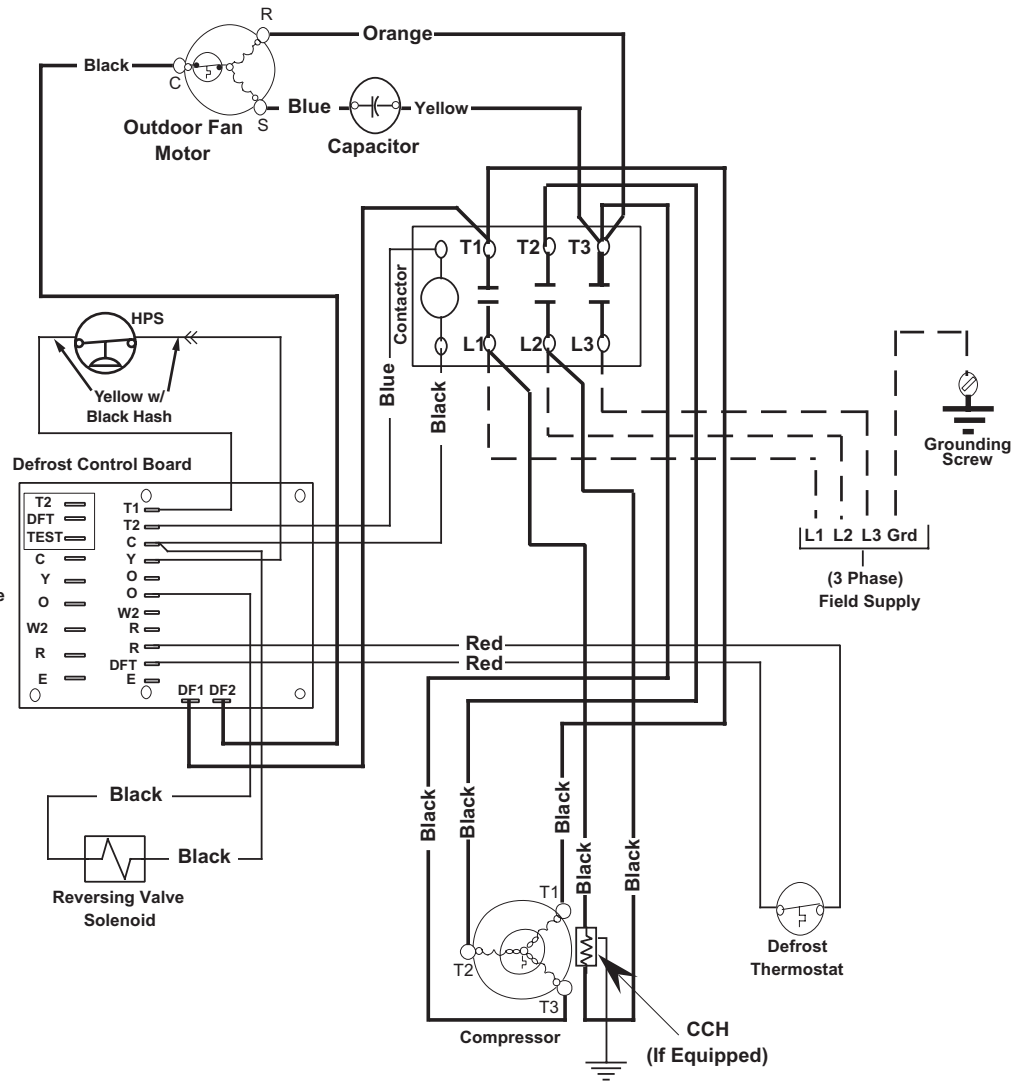


Defrost Board Operation:

- ① Closes during defrost. Rating: 1 Amp. Max.
- ② Opens during defrost. Rating: 2 HP. at 230 Vac Max.
- ③ Closed when "Y" is on. Open when "Y" is off. Provides "off" delay time of 5 min. when "Y" opens.
- ④ With DFT closed and "Y" closed, compressor run time is accumulated. Opening of DFT during defrost or interval period resets the interval to 0.
- ⑤ Ground on location provided inside compressor terminal box.

LEGEND:

FIELD WIRING	----
LOW VOLTAGE	_____
HIGH VOLTAGE	—————



710661-0

02/07