

WIRING DIAGRAM

Two Stage Split System Air Conditioner (Outdoor Section) With ECM Outdoor Motor

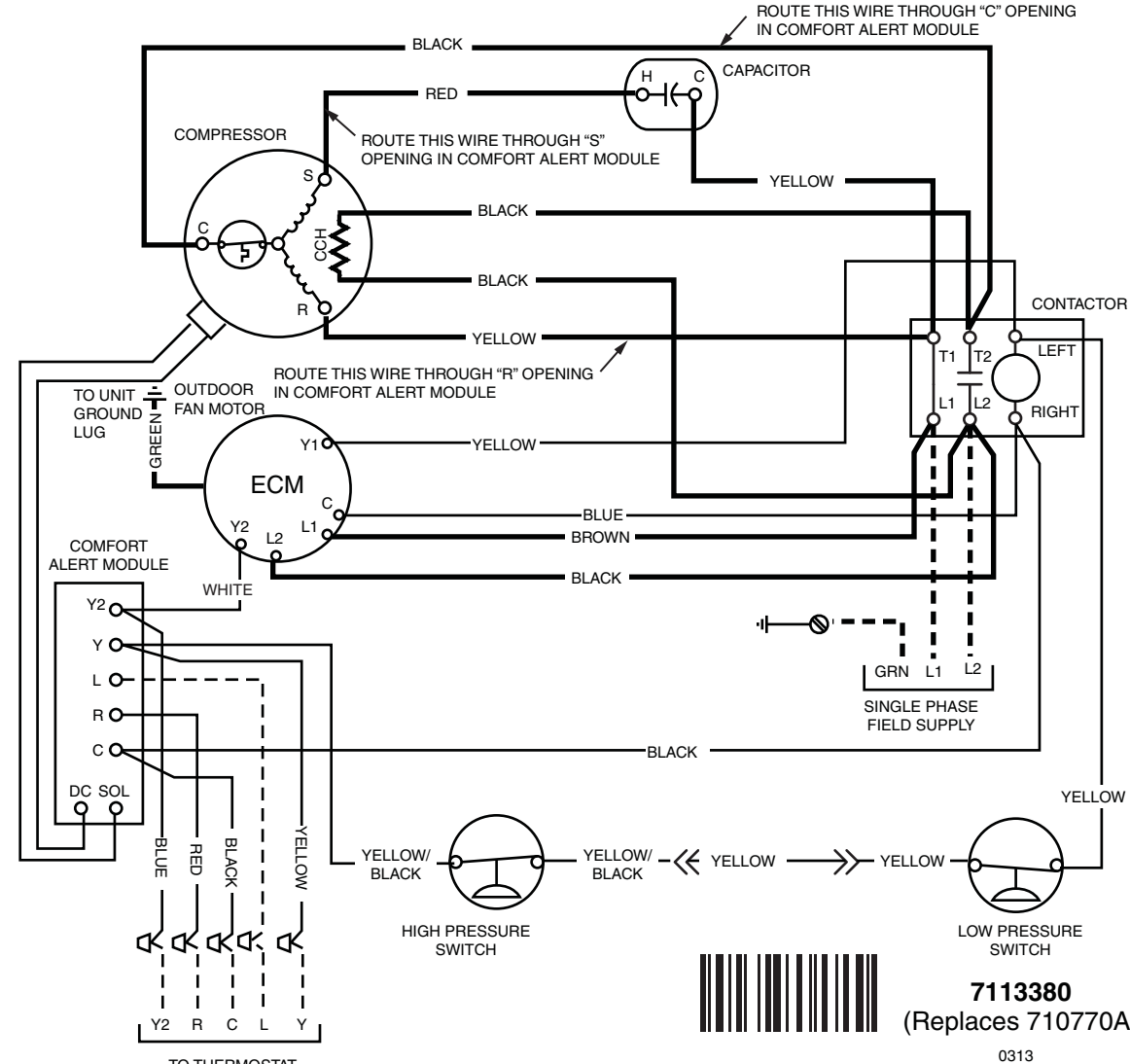
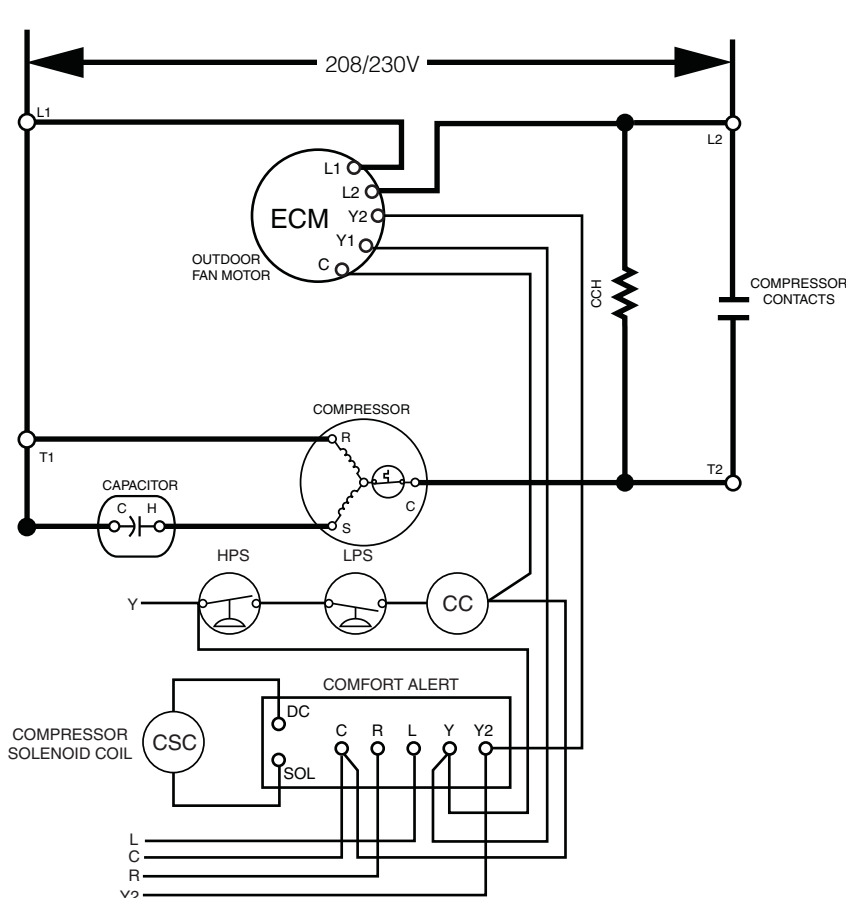
208/230V

Single Phase / 60 Hz.

NOTES:

1. Disconnect all power before servicing.
2. For supply connections use copper conductors only.
3. Not suitable on systems that exceed 150 volts to ground.
4. For replacement wires use conductors suitable for 105 °C
5. For ampacities and overcurrent protection, see unit rating plate.
6. Connect to 24 vac/40va/class 2 circuit. See furnace/airhandler installation instructions for control circuit and optional relay/transformer kits.
7. Couper le courant avant de faire letretien.
8. Employez uniquement des conducteurs en cuivre.
9. Ne convient pas aux installations de plus de 150 volt a la terre.

Status LED	Status LED Description
Green "POWER"	Module has power
Red "TRIP"	Thermostat demand signal Y is present, but the compressor is not running
Yellow "ALERT" Flash Code 1	LONG RUN TIME - Compressor is running extremely long run cycle
Yellow "ALERT" Flash Code 2	SYSTEM PRESSURE TRIP - Discharge or suction pressure out of limits or compressor overloaded
Yellow "ALERT" Flash Code 3	SHORT CYCLING - Compressor is running only briefly
Yellow "ALERT" Flash Code 4	LOCKED ROTOR
Yellow "ALERT" Flash Code 5	OPEN CIRCUIT
Yellow "ALERT" Flash Code 6	OPEN START CIRCUIT - Current only in run circuit
Yellow "ALERT" Flash Code 7	OPEN RUN CIRCUIT - Current only in start circuit
Yellow "ALERT" Flash Code 8	WELDED CONTACTOR - Compressor always runs
Yellow "ALERT" Flash Code 9	LOW VOLTAGE - Control circuit < 17 VAC



LEGEND:

FIELD WIRING	---
LOW VOLTAGE	—
HIGH VOLTAGE	—

CC - CONTACTOR COIL
CCH - CRANKCASE HEATER
LPS - LOW PRESSURE SWITCH
HPS - HIGH PRESSURE SWITCH
CSC - COMPRESSOR SOLENOID COIL



7113380
(Replaces 710770A)