

# TECHNICAL SPECIFICATIONS

## M7RL Series

### High Efficiency / Direct Vent Condensing Downflow Gas Furnace

**Induced Draft - 95%+ AFUE  
Input 45,000 thru 72,000 Btuh**

The high efficiency downflow gas furnace is especially designed for Modular Housing. It may be installed in a utility room, or enclosed in a closet. CSA design certified for use in the United States and Canada.



BW Models



BWT Models

## FEATURES and BENEFITS

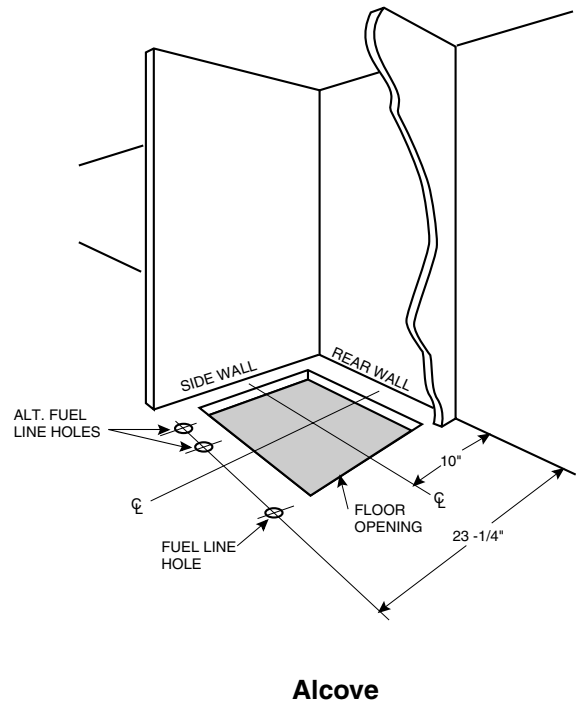
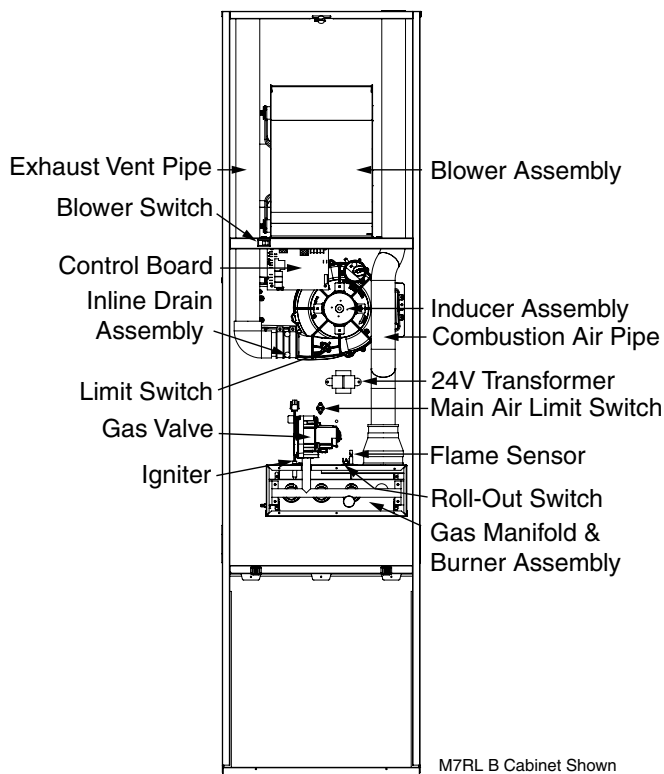
- **100% fired and tested:** All units and each component (both mechanical and electrical) are tested on the manufacturing line.
- **Clean and quiet operation:** Due to the unique design of in-shot burners, location of inducer and use of insulation.
- **Fixed 30 second blower delay:** At burner start-up assures a warm outlet air temperature at furnace start-up. Adjustable blower off settings (60, 90, 120 and 180 seconds).
- **Fixed 30-second post purge:** Increases life of heat exchanger.
- **Dependable, hot surface ignitor:** Innovative application of silicon nitride type igniter. Utilizes proven Smartlite® technology.
- **Tubular primary heat exchanger:** Heavy gauge aluminized steel heat exchanger assures a long life.
- **Stainless steel secondary heat exchanger:** Assures a long life.
- **90 second fixed cooling cycle blower-off delay (TDR):** Increases cooling performance when matched with a NORDYNE coil.
- **Sealed combustion approved for direct vent furnace, category IV venting system:** May be vertically or horizontally vented using a two-pipe system for maximum flexibility in installation.
- **LP convertible:** Simple burner orifice and gas valve regulator change for ease of convertibility.
- **3 amp fuse protection against low voltage shorts:** Protects transformer and control board.
- **Low voltage terminal board:** For easy field wiring.
- **Easy open pawl latch:** Secures the door firmly for transit, yet allows easy removal for access.
- **Appliance quality door:** Protects against rust and other corrosion. Baked enamel finish allows for easy cleaning.
- **Fully insulated cabinet:** Insures minimized heat loss and quiet operation.
- **Color coded wire harness:** Designed to fit the components, all with quick-connect fittings for ease of service and replacement.
- **Multi-speed direct drive blower:** Designed to give a wide range of cooling capacities. Switches on PCB, provide ultra easy motor speed selection. 40VA transformer included.
- **Diagnostic lights for easy troubleshooting without counting flashes:** Dedicated light for flame signal strength and 2 lights in combination to indicate all other fault codes with easy to recognize states without counting flashes.

Note: The M7RL will fit in the same footprint and uses the same duct connector as the M1 & M3 furnaces. The design of the M7RL allows for direct substitution in place of the M1 & M3 series furnaces.

# FEATURES

## High Efficiency Downflow 95% AFUE + Gas Furnace

### Downflow Furnace



## SPECIFICATIONS

M7RL MODEL NUMBERS:	045A	060A	072A
Input (BTUH)*	45000	60000	72000
Heating Capacity (BTUH)	42750	57000	68400
AFUE (%)	95.1	95.1	95.1
Blower D x W (in.)	11 x 8	11 x 8	11 x 8
Motor HP-Speed-Type	1/2 - 4 - PSC	1/2 - 4 - PSC	1/2 - 4 - PSC
Motor FLA (Amps)	8.60	8.60	8.00
Rated Ext. SP (in. WC)	0.3	0.3	0.3
Temperature Rise Range (°F)	25-55	25-55	30-60
Fuse or Breaker (Amps)	20	20	15

Note: All models are 115V, 60 Hz, 1 phase. Gas Connections are 1/2" NPT. AFUE = Annual Fuel Utilization Efficiency  
 \* Ratings to 2,000 ft. Over 2,000 ft. reduce 4% for each 1,000 ft. above sea level.

## STANDARD EQUIPMENT

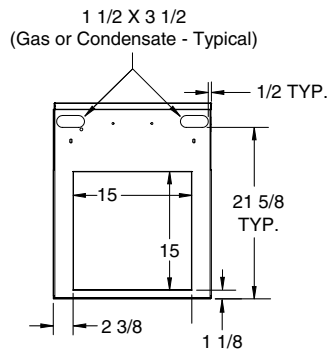
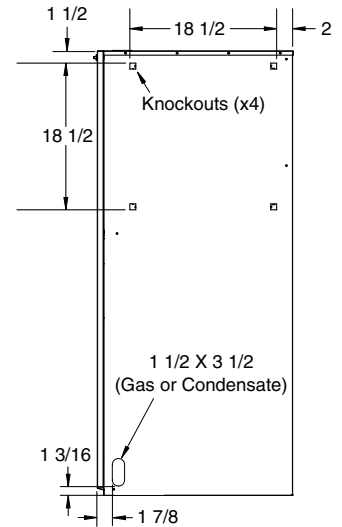
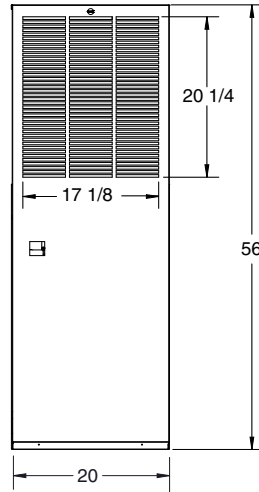
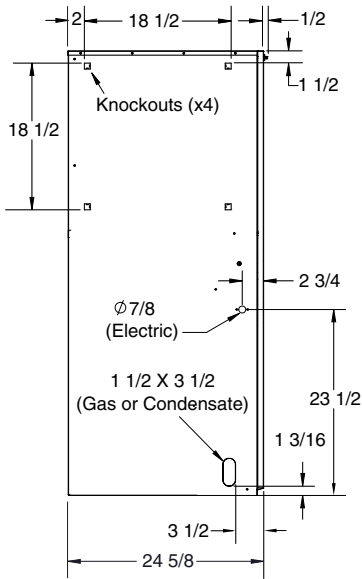
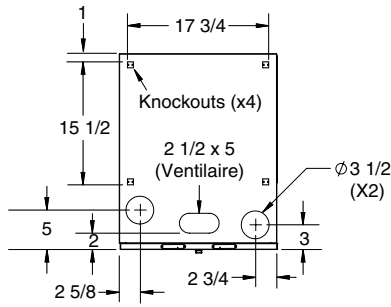
Direct vent; draft inducer; pressure switch; redundant main gas control; hot-surface ignition; timed ON/OFF blower controls (TDR); 40VA transformer for air conditioner application; limit controls; direct drive motor; all models can be converted to use LP (propane) gas.

### Shipping Weights

Furnace Model	Shipping Weight (lbs)
M7RL 045A AW	150
M7RL 045A BW*	170
M7RL 060A AW	150
M7RL 060A BW*	170
M7RL 072A AW	155
M7RL 072A BW*	175

\*May include suffix - T

# DIMENSIONS



ALL MODELS	CLOSET	ALCOVE
	Inches	Inches
Front	1*	1*
Back	0	0
Sides	0	0
Vent	0	0
Top	6	6
Duct (Plenum) w/ Coil Box	0	0
w/o Coil Box (within 3 feet)	1/4	1/4

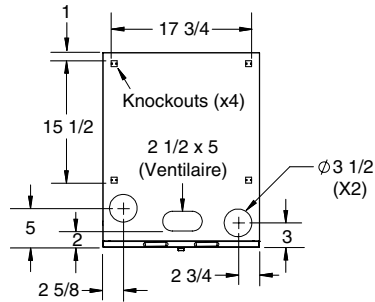
\*Note: For 1" clearance, use a fully louvered door with at least 400 square inches of free airflow area.

## Minimum Clearances

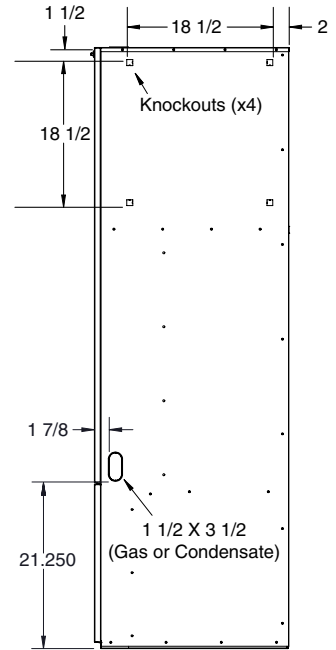
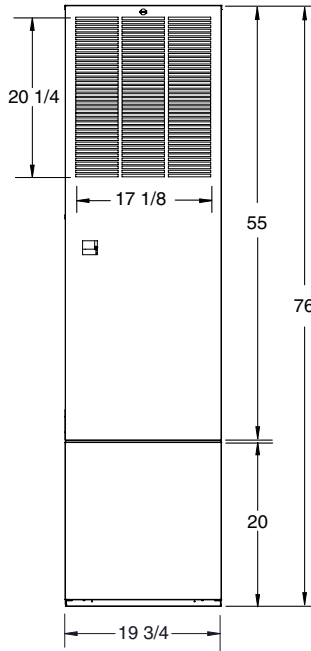
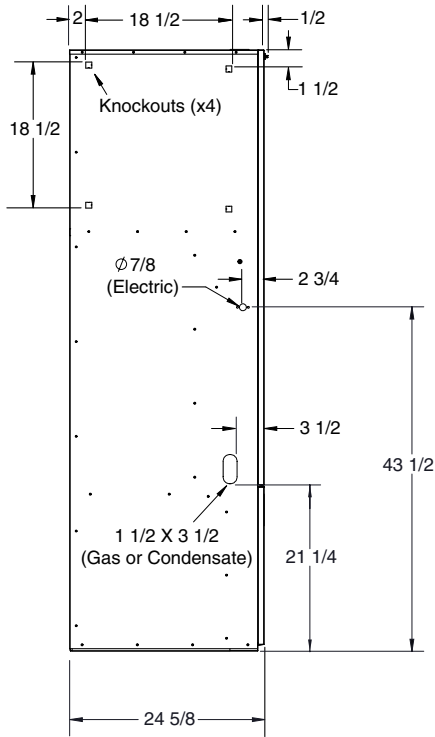
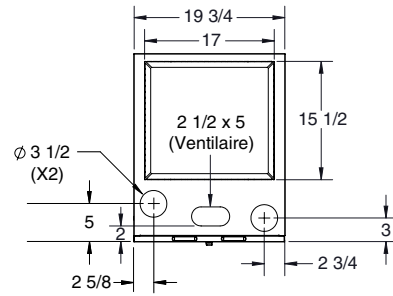
## AW Models

# DIMENSIONS

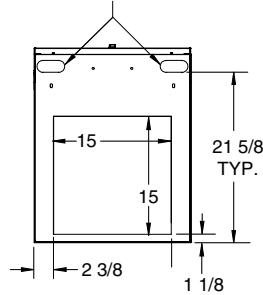
**BW Top**



**BWT Top**



1 1/2 X 3 1/2  
(Gas, Condensate, or Linesets - Typical)



ALL MODELS	CLOSET	ALCOVE
	Inches	Inches
Front	1*	1*
Back	0	0
Sides	0	0
Vent	0	0
Top	6	6
Duct (Plenum) w/ Coil Box	0	0
w/o Coil Box (within 3 feet)	1/4	1/4

\*Note: For 1" clearance, use a fully louvered door with at least 400 square inches of free airflow area.

## Minimum Clearances

## BW Models

# BLOWER PERFORMANCE

Model Number & Heating Input (BTUH)	Motor Speed	External Static Pressure (Inches Water Column)										Recommended A/C Ton
		0.1		0.2		0.3		0.4		0.5		
		CFM	Rise	CFM	Rise	CFM	Rise	CFM	Rise	CFM	Rise	
M7RL 045 45,000	HIGH*	1580	25	1530	26	1485	27	1435	28	1380	29	4
	MED HIGH	1355	29	1330	30	1300	30	1265	31	1220	32	3
	MED LOW	1185	33	1165	34	1140	35	1100	36	1065	37	2 1/2
	LOW**	910	44	890	45	865	46	835	47	810	49	2
M7RL 060 60,000	HIGH*	1580	33	1530	35	1485	36	1435	37	1380	38	4
	MED HIGH**	1355	39	1330	40	1300	41	1265	42	1220	43	3
	MED LOW	1185	45	1165	45	1140	46	1100	48	1065	50	2 1/2
	LOW	910	58	890	59	865	61	835	63	810	65	2
M7RL 072 72,000	HIGH*	1555	41	1505	42	1460	43	1405	45	1350	47	4
	MED HIGH**	1490	43	1450	44	1405	45	1355	47	1310	48	3
	MED LOW	1005	63	975	65	950	67	925	69	875	72	2 1/2
	LOW	900	70	875	72	845	75	810	78	775	82	2

\* Factory Set Cooling Speed

\*\* Factory Set Heating Speed

1. Temperature rises (°F) in the table are approximate. Actual temperature rises may vary.
2. Temperature rises shaded in gray are for reference only. These conditions are not recommended.
3. Airflow performance is with a filter.

# ACCESSORIES

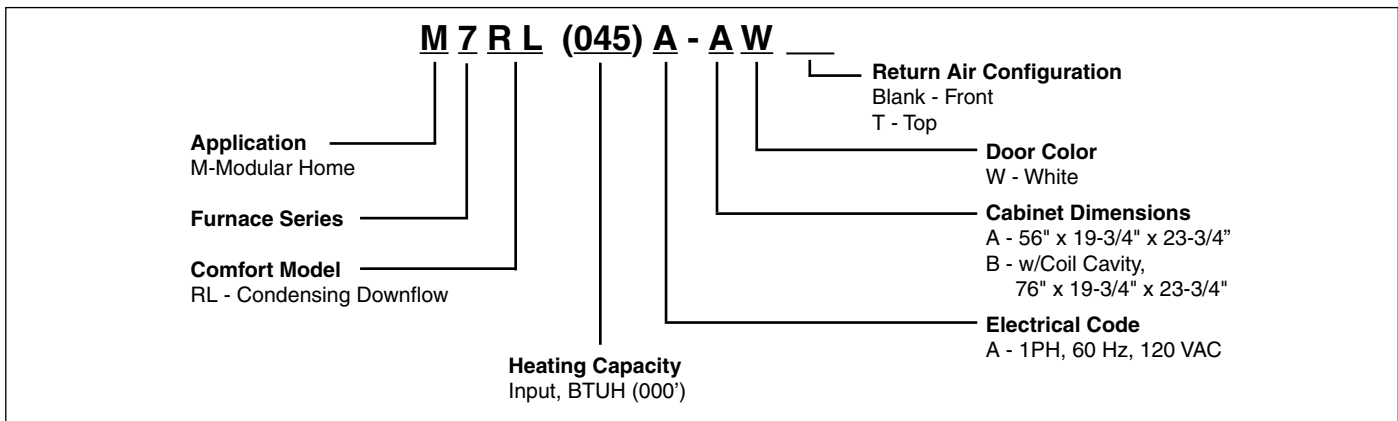
Description	Part Number
Automatic Cavity Damper	901083
"VEE" Box Adapters (10") - 5 / carton	901985
"VEE" Box Adapters (12") - 5 / carton	902149
A/C Coil Box	911969A
Side Return Air Kit	904003
Concentric Vent Termination Kit (for horizontal and vertical venting)	904953
Horizontal Exterior Vent Mounting Kit 3"PVC	902375
Neutralizer Kit - All Models	902377
PVC Isolation Kit	904063
Vent Transition Kit	904106

## ACCESSORIES (cont.)

### ACCESSORY VENT KITS

Vent Kits	Part Number
Soffit Air Inlet (for VentilAire III only)	917201
VentilAire III - Sloped 3/12	914098
VentilAire IV - Sloped 3/12	914229

### IDENTIFICATION CODE



# VENTING

All models are approved for both vertical and horizontal direct (2 pipe) venting applications. See Vent Table below for specified sizes and allowable lengths.

<b>Maximum Direct Vent, Dual Pipe Length (ft.)*</b>	
<b>M7RL Inputs (BTUH)</b>	<b>Inlet / Outlet 3 in. Diameter</b>
45,000	60
60,000	60
72,000	60

**\*NOTES:**

1. Subtract 3.5 ft. for each additional 3" 90 degree elbow.
2. Two 45 degree elbows are equivalent to one 90 degree elbow.
3. One short radius elbow is equivalent to two long radius elbows
4. Do not include termination elbows in calculation of vent length
5. This table is applicable for elevations from sea level to 2,000 ft.  
For higher elevations decrease vent pipe lengths by 8% per 1000 ft. of altitude.
6. Only the listed pipe materials are approved for use with M7 condensing furnaces.
7. For Canadian applications, use ULC S636 approved material.

<b>Pipe Materials</b>	<b>ANSI/ASTM Standard</b>
Schedule 40PVC	D1785
PVC-DWV	D2665
SDR-21 & SDR-26	D2241
ABS-DWV	D2661
Schedule 40 ABS	F628
Foam / Cellular Core PVC	F891



### GENERAL TERMS OF LIMITED WARRANTY

For complete details of the Limited Warranty, including applicable terms and conditions, see your local installer or contact the NORDYNE warranty department for a copy.

**NORDYNE**

COMPLETE COMFORT. GENUINE VALUE. 8000 Phoenix Parkway | O'Fallon, MO 63368-3827

Specifications and illustrations subject to change without notice and without incurring obligations. Printed in U.S.A (08/2011)

718D-0811 (Replaces 718D-0511)